



(12) **United States Design Patent**  
**Zou**

(10) **Patent No.:** **US D1,049,006 S**  
(45) **Date of Patent:** **\*\* Oct. 29, 2024**

- (54) **CAR CUP HOLDER**
- (71) Applicant: **Shenzhen Yinglaifa Technology Co., Ltd.**, Shenzhen (CN)
- (72) Inventor: **Yuwang Zou**, Shenzhen (CN)
- (73) Assignee: **SHENZHEN YINGLAIFA TECHNOLOGY CO., LTD.**, Shenzhen (CN)

D1,006,715	S	*	12/2023	Zou	.....	D12/419
D1,011,999	S	*	1/2024	Tian	.....	D12/419
D1,012,820	S	*	1/2024	Tian	.....	D12/419
D1,022,858	S	*	4/2024	Pun	.....	D12/419
D1,023,897	S	*	4/2024	Brown	.....	D12/419
D1,035,555	S	*	7/2024	Zhou	.....	D12/419
2006/0244280	A1	*	11/2006	Sugawara	.....	B60R 7/06 296/37.12

(Continued)

**FOREIGN PATENT DOCUMENTS**

CN 202330101499.5 \* 6/2023

**OTHER PUBLICATIONS**

Amazon.com, Buggies Unlimited Club Car DS Golf Cart Dual Cup Holder, published Jun. 3, 2020 [retrieved Aug. 7, 2024]. Retrieved from the internet<<https://www.amazon.com/Buggies-Unlimited-Club-Golf-Holder/dp/B089N1C8NC>> (Year: 2020).\*

(Continued)

*Primary Examiner* — Joseph Kukella  
*Assistant Examiner* — Lavon M. Amerson

(57) **CLAIM**

The ornamental design for a car cup holder as shown and described.

**DESCRIPTION**

FIG. 1 is a perspective view of a car cup holder showing my new design;  
FIG. 2 is another perspective view thereof;  
FIG. 3 is a front elevational view thereof;  
FIG. 4 is a rear elevational view thereof;  
FIG. 5 is a left side elevational view thereof;  
FIG. 6 is a right side elevational view thereof;  
FIG. 7 is a top plan view thereof; and,  
FIG. 8 is a bottom plan view thereof.

**1 Claim, 8 Drawing Sheets**

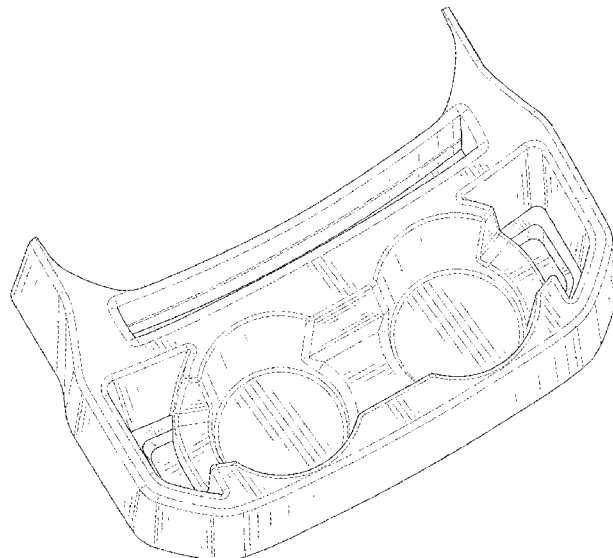
- (\*\*) Term: **15 Years**
- (21) Appl. No.: **29/872,636**

- (22) Filed: **Mar. 16, 2023**
- (51) **LOC (14) Cl.** ..... **12-16**
- (52) **U.S. Cl.**  
USPC ..... **D12/419**
- (58) **Field of Classification Search**  
USPC ..... D3/273; D9/501, 703; D12/195, 410,  
D12/415–421, 422–426  
CPC ..... B62J 9/00; B60R 7/04; B60R 7/08; B60R  
7/06; B60R 5/04; B60R 13/013; B60N  
3/102; B60Q 3/225  
See application file for complete search history.

(56) **References Cited**

**U.S. PATENT DOCUMENTS**

D352,213	S	*	11/1994	Keven	.....	D12/420
D353,082	S	*	12/1994	Keven	.....	D12/420
5,628,486	A	*	5/1997	Rossmann	.....	B60N 3/107 248/311.2
D388,050	S	*	12/1997	Diem	.....	D12/415
D444,683	S	*	7/2001	Corrion	.....	D12/420
D448,001	S	*	9/2001	Pfeiffer	.....	D12/419
D541,209	S	*	4/2007	Castator	.....	D12/415
D777,528	S	*	1/2017	Landphere	.....	D12/419
D953,237	S	*	5/2022	Siemsen	.....	D12/415
D977,406	S	*	2/2023	Zhou	.....	D12/419
D993,136	S	*	7/2023	Myers	.....	D12/415
D999,140	S	*	9/2023	Myers	.....	D12/415



(56)

**References Cited**

U.S. PATENT DOCUMENTS

2015/0291104 A1\* 10/2015 Kearney ..... B60R 11/0241  
29/464  
2022/0348126 A1\* 11/2022 Thomas ..... B60N 3/10  
2023/0382280 A1\* 11/2023 Lin ..... B60N 2/859  
2024/0101013 A1\* 3/2024 Göbbels ..... B60N 3/106  
2024/0166135 A1\* 5/2024 Ottlik ..... B60N 2/753  
2024/0190316 A1\* 6/2024 Hong ..... B60N 2/757

OTHER PUBLICATIONS

Amazon.com, Car Upgraded Console Cup Holder, published Mar. 25, 2023 [retrieved Aug. 7, 2024]. Retrieved from the internet <<https://www.amazon.ca/Upgraded-Console-Holder-Specific-Moldes/dp/B0BX31V8VZ>> (Year: 2023).\*

\* cited by examiner

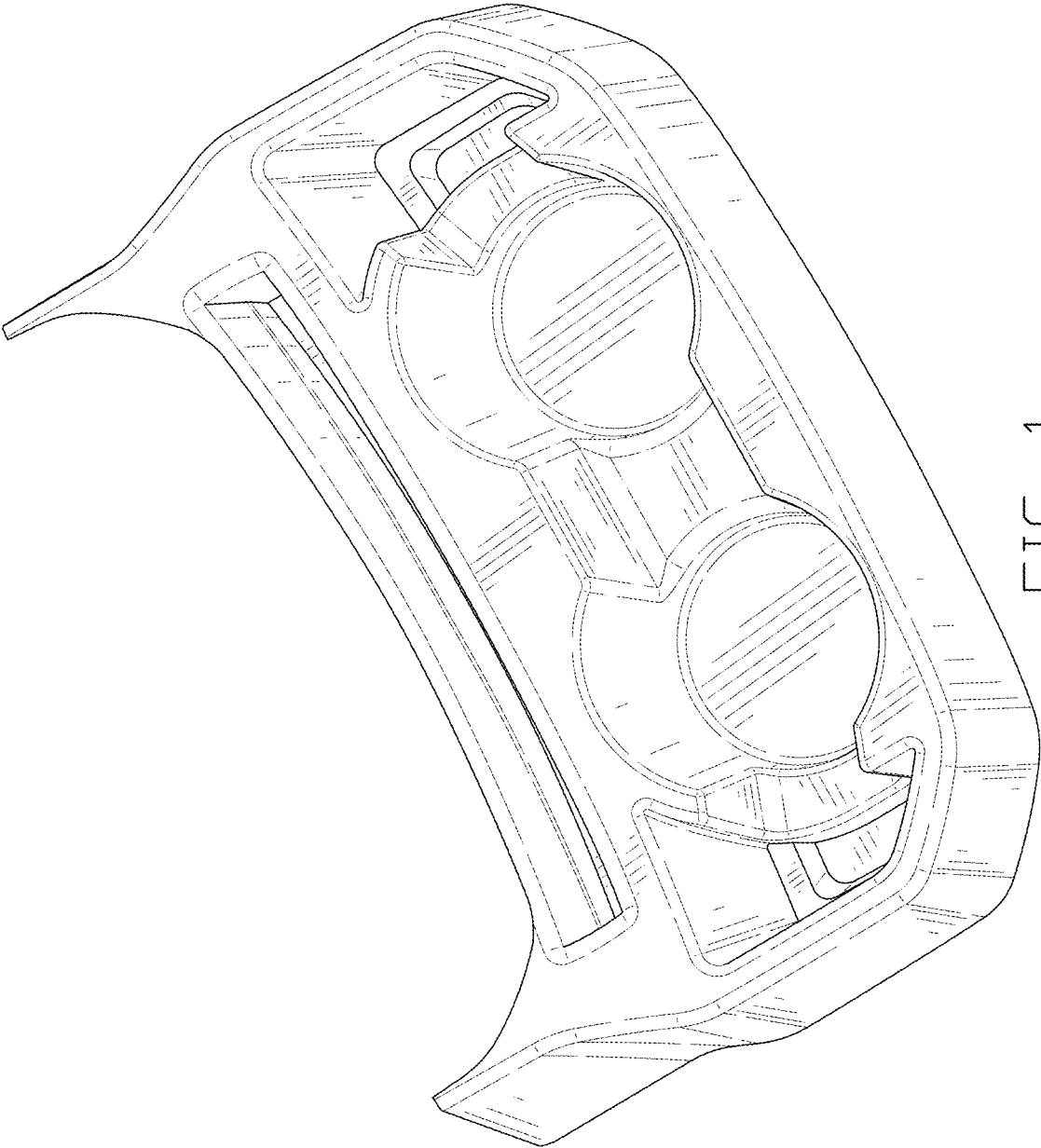


FIG. 1

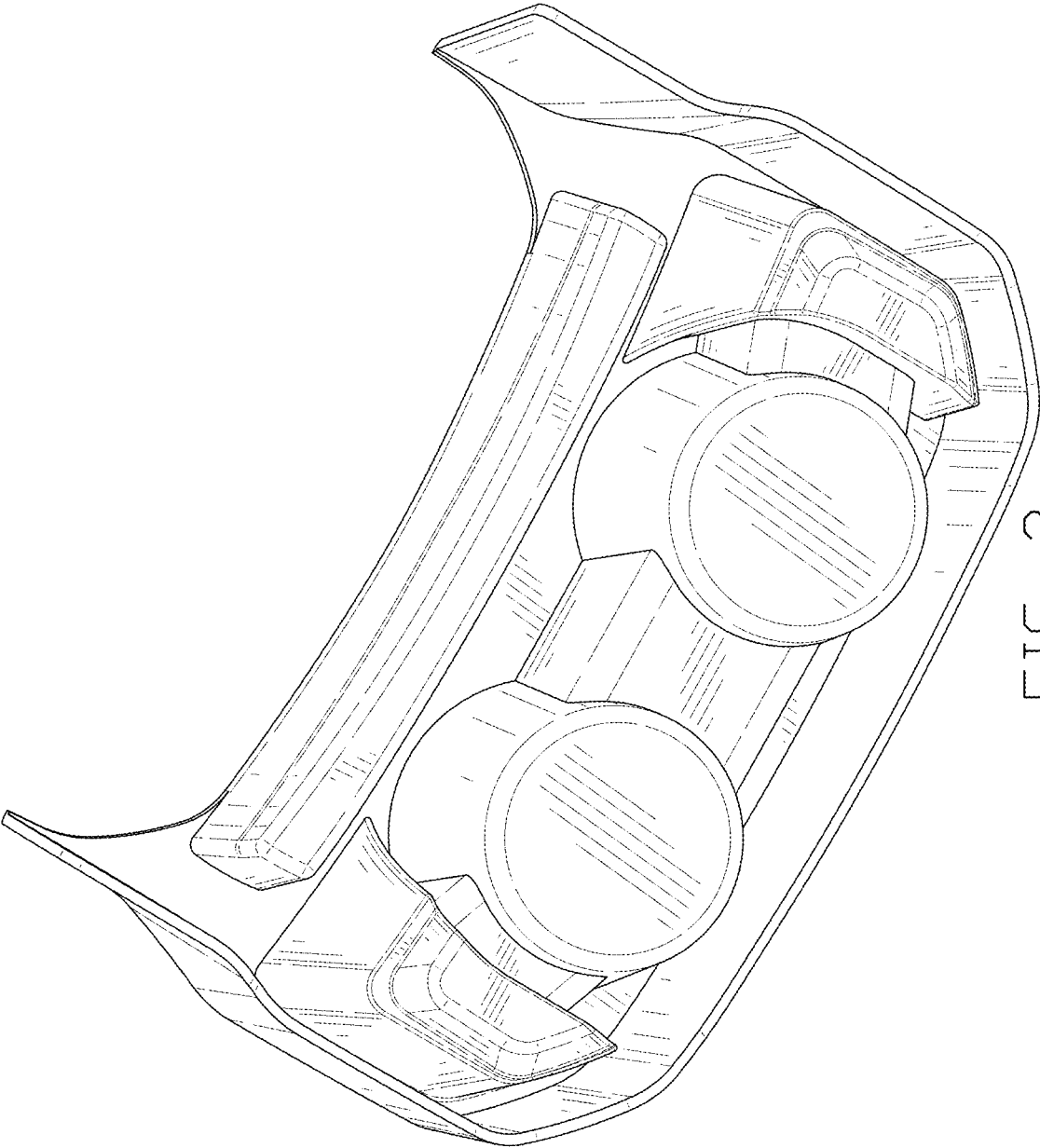


FIG. 2

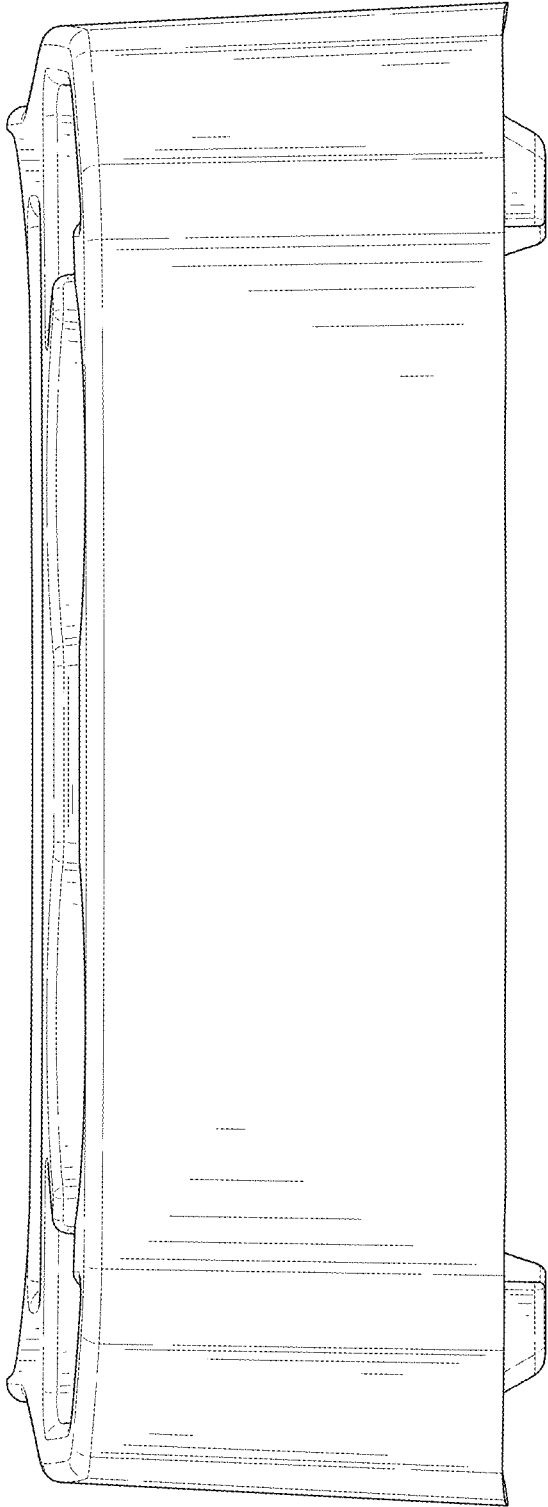


FIG. 3

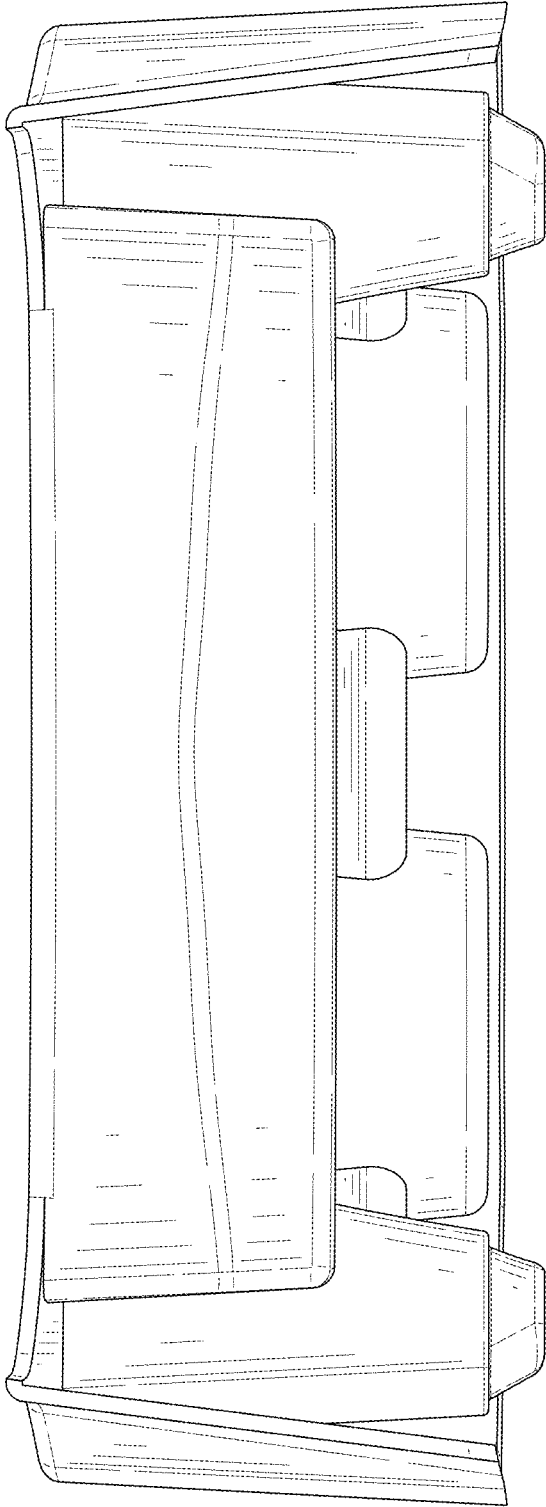


FIG. 4

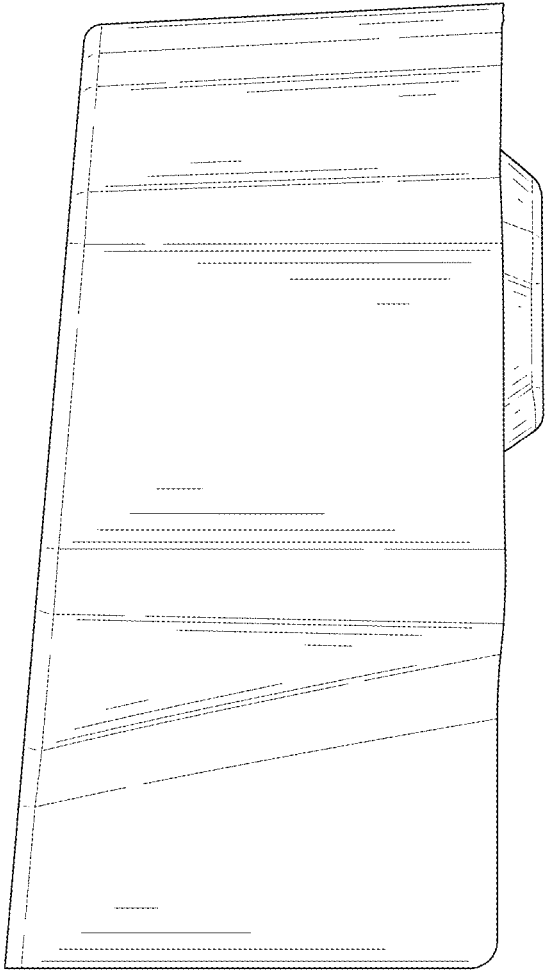


FIG. 5

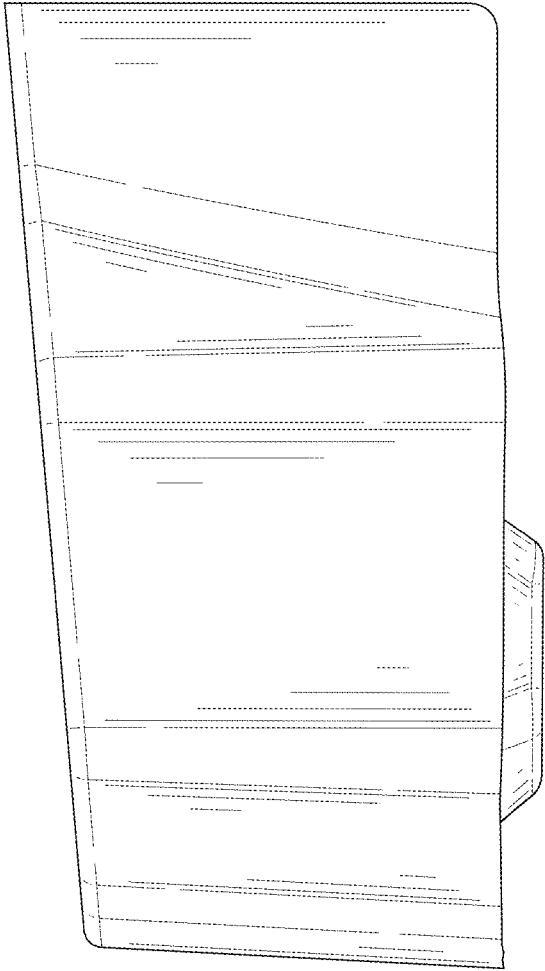


FIG. 6



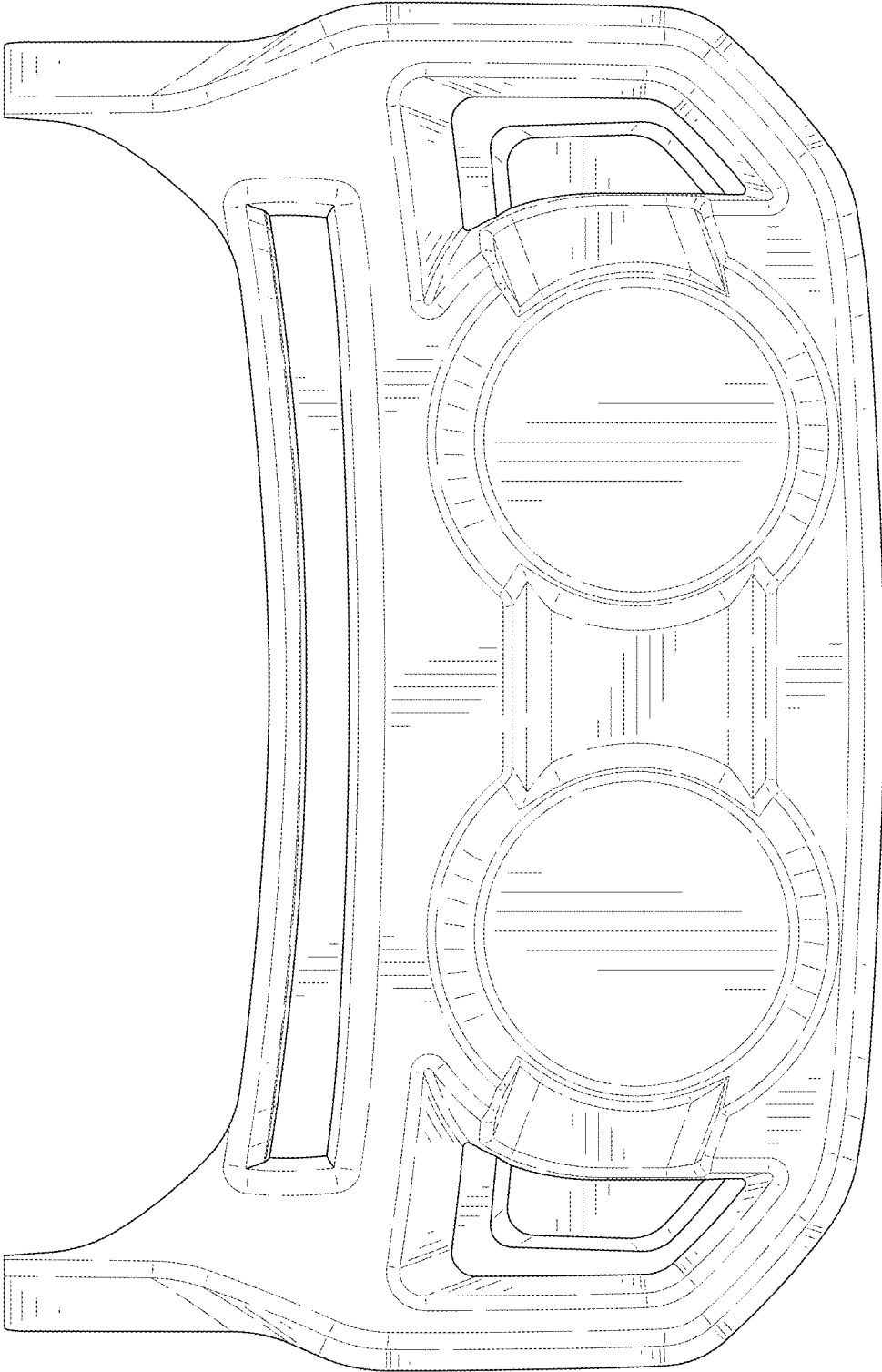


FIG. 7

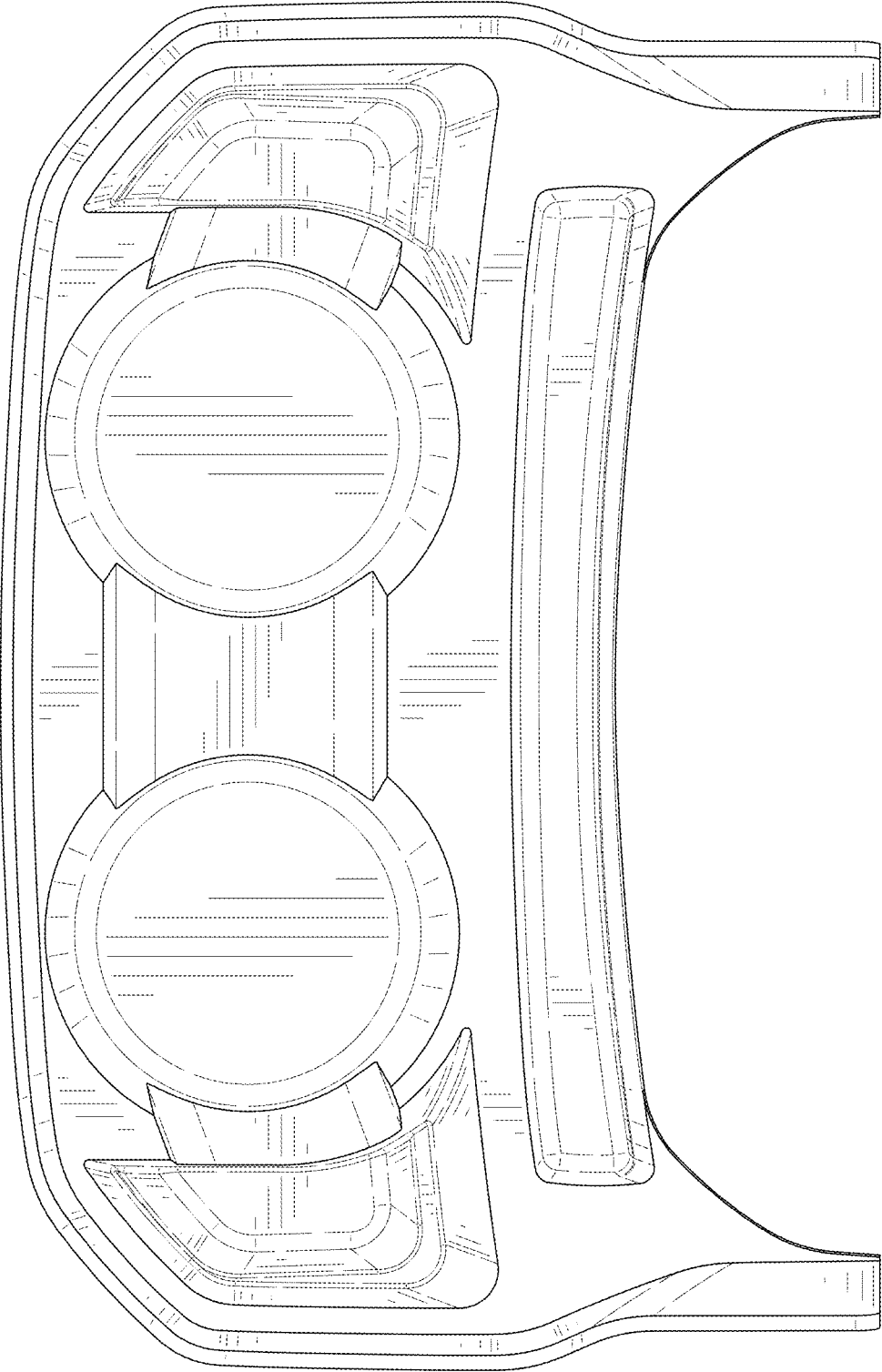


FIG. 8