



US 20130260921A1

(19) **United States**

(12) **Patent Application Publication**

Brooks

(10) **Pub. No.: US 2013/0260921 A1**

(43) **Pub. Date: Oct. 3, 2013**

(54) **GOLF SWING CADDIE**

(52) **U.S. Cl.**

USPC **473/409**

(75) Inventor: **Michael Anthony Brooks**, Pflugerville, TX (US)

(57) **ABSTRACT**

(73) Assignee: **Michael Anthony Brooks**, Pflugerville, TX (US)

The Golf Swing Caddie is a synthetic artificial turf that is very durable golf training equipment.

(21) Appl. No.: **13/434,888**

It is completely portable device that can be used indoors and outdoors to enable golfer's ball striking abilities to help golfers be able to strike the golf ball with confidence.

(22) Filed: **Mar. 30, 2012**

The Golf Swing Caddie is an artificial golf turf with a rubber ball attached by bungee cord for golf training equipment. This gives the golfer the ability to hit the ball and see the line with the artificial turf and delivery accurate ball strikes and see the line the ball goes down and coming back along the same line.

Publication Classification

(51) **Int. Cl.**
A63B 69/36 (2006.01)

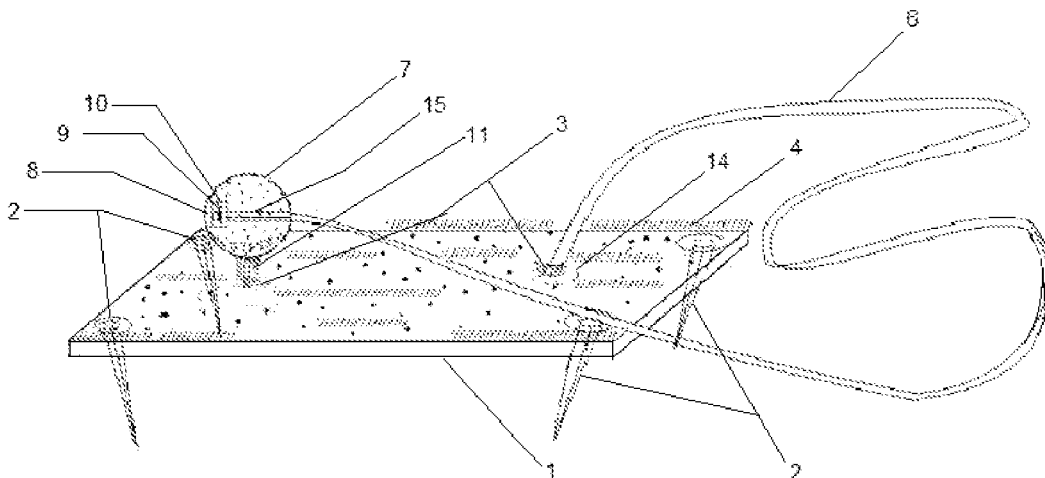


Figure 1

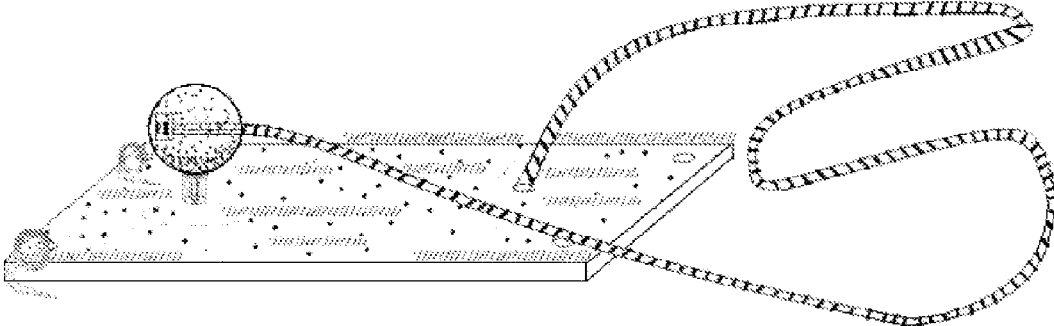


Figure 1a

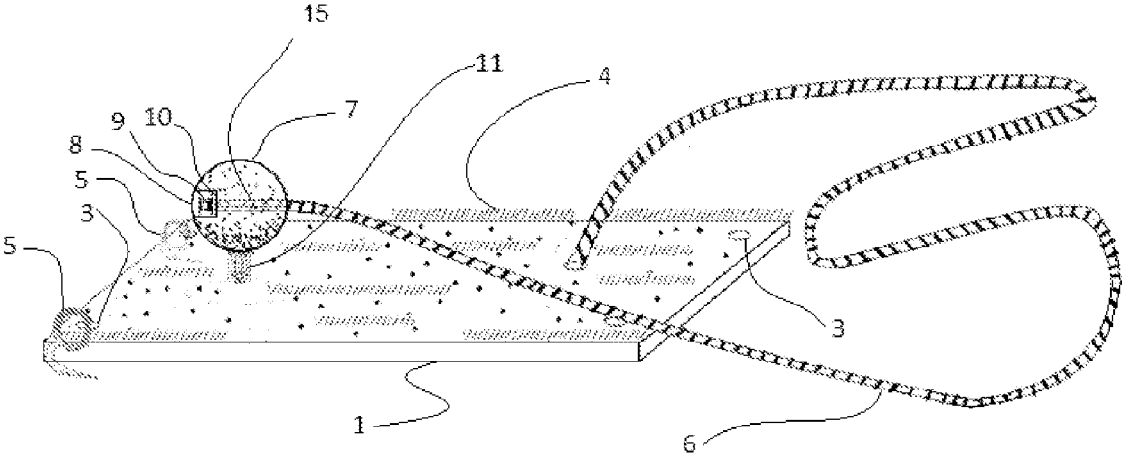


Figure 2

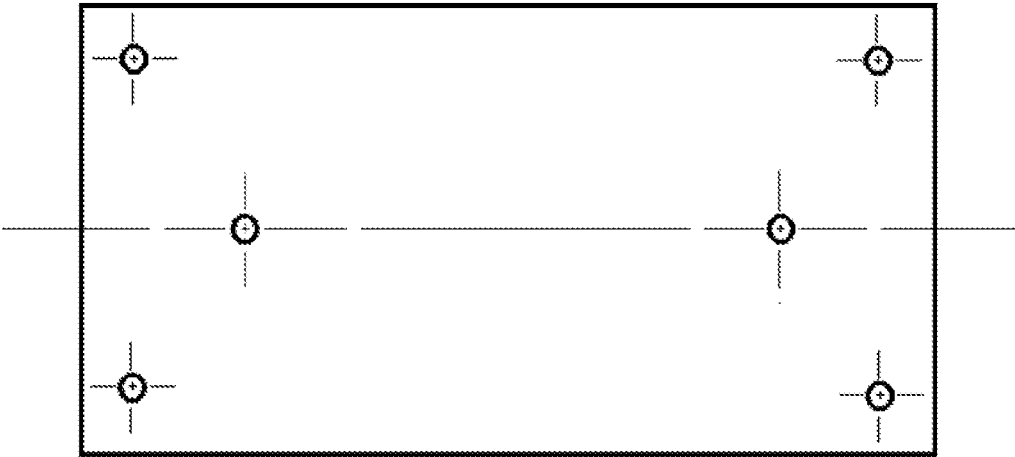


Figure 2a

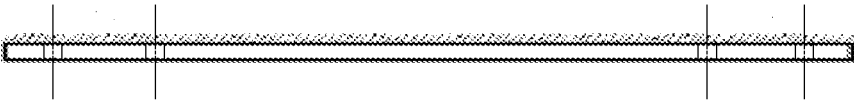


Figure 2b

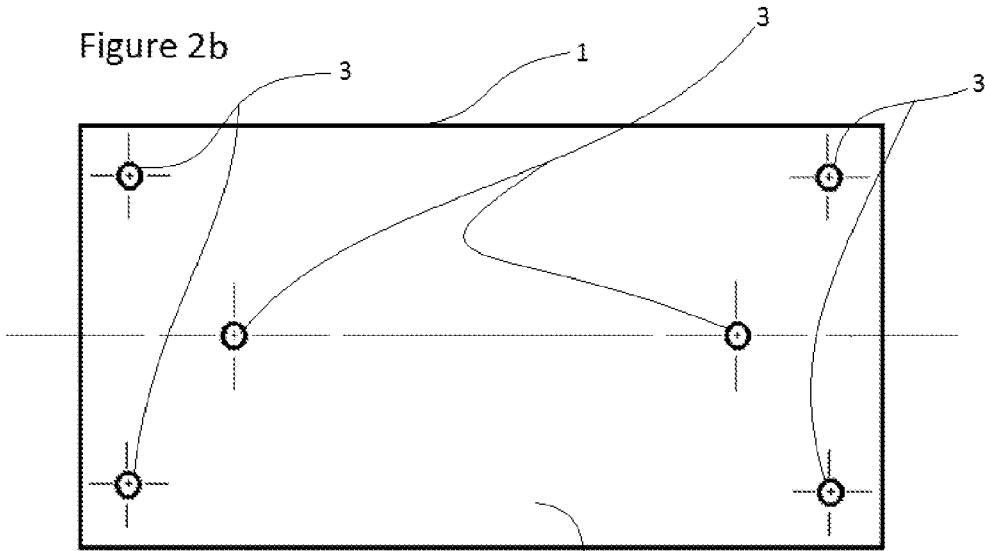


Figure 2c

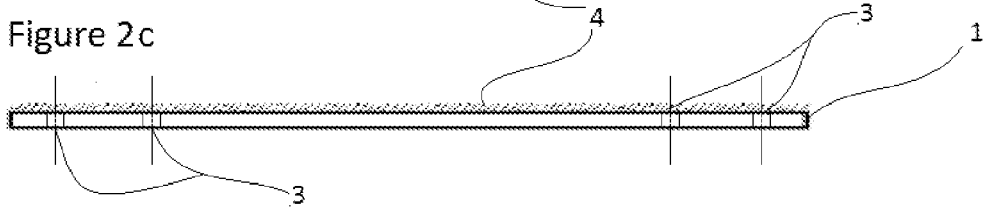


Figure 3

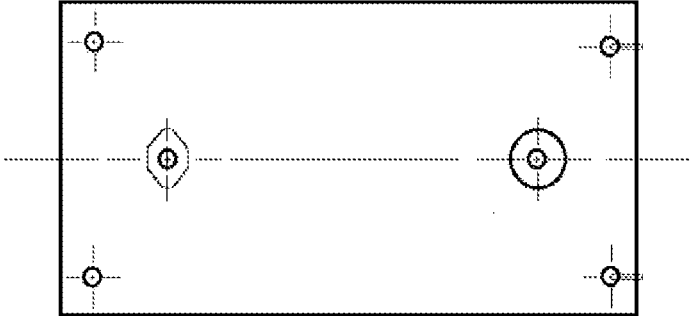


Figure 3a

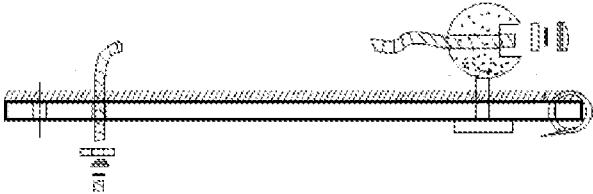


Figure 3c

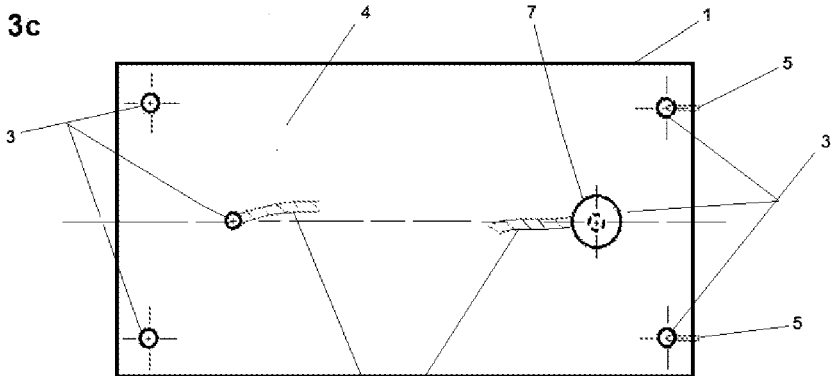


Figure 3a

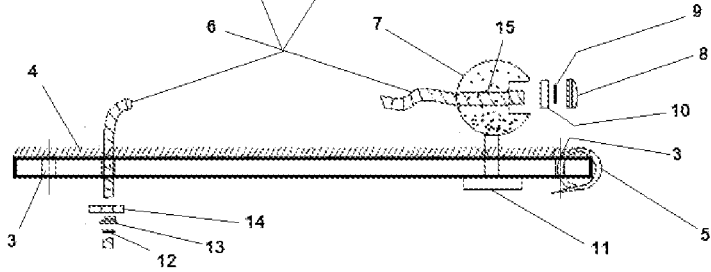


Figure 3b

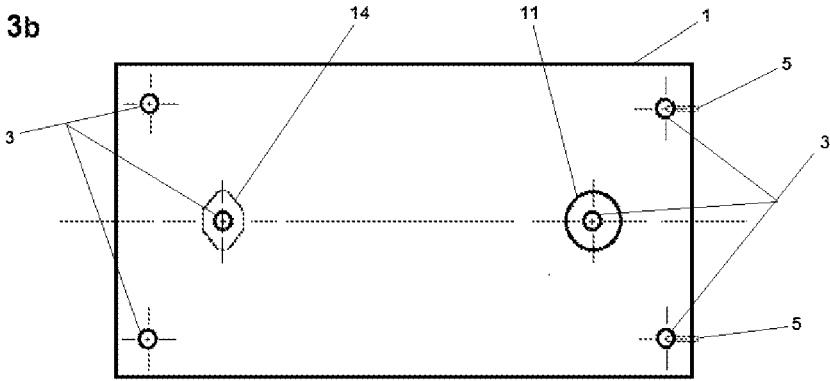


Figure 3a

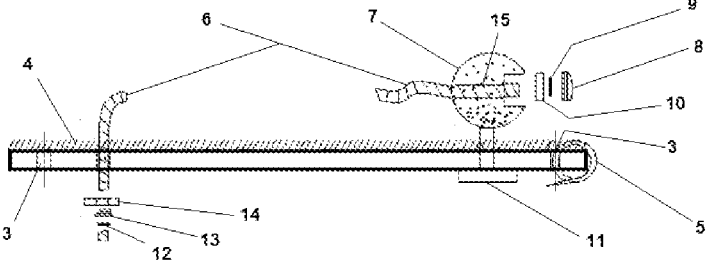


Figure 4

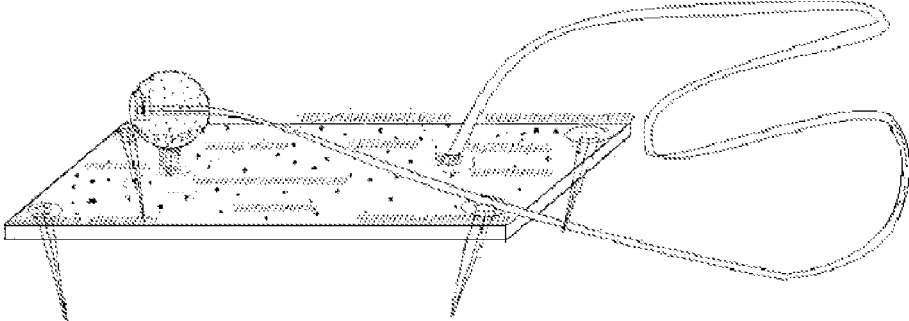


Figure 1c



Figure 4a

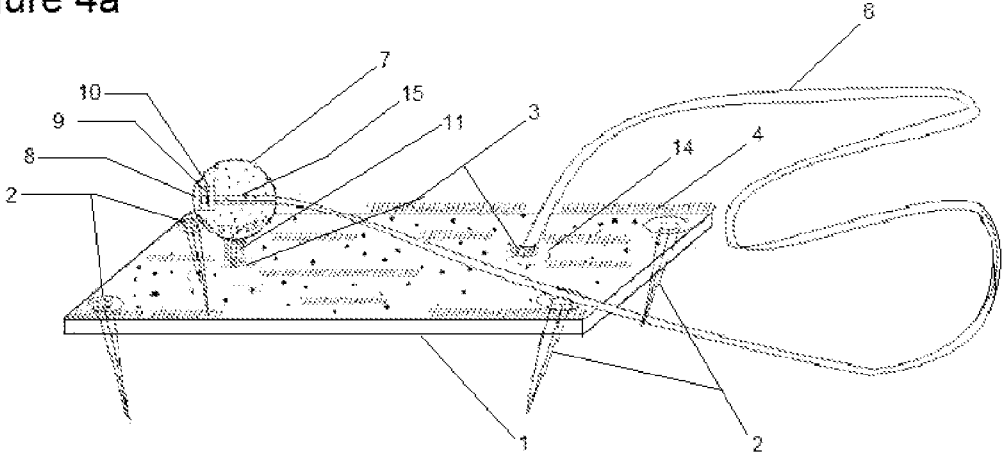


Figure 1b

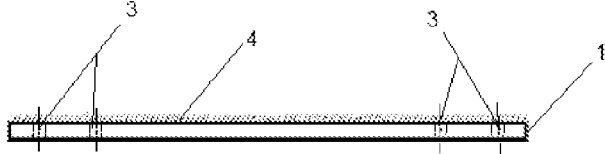
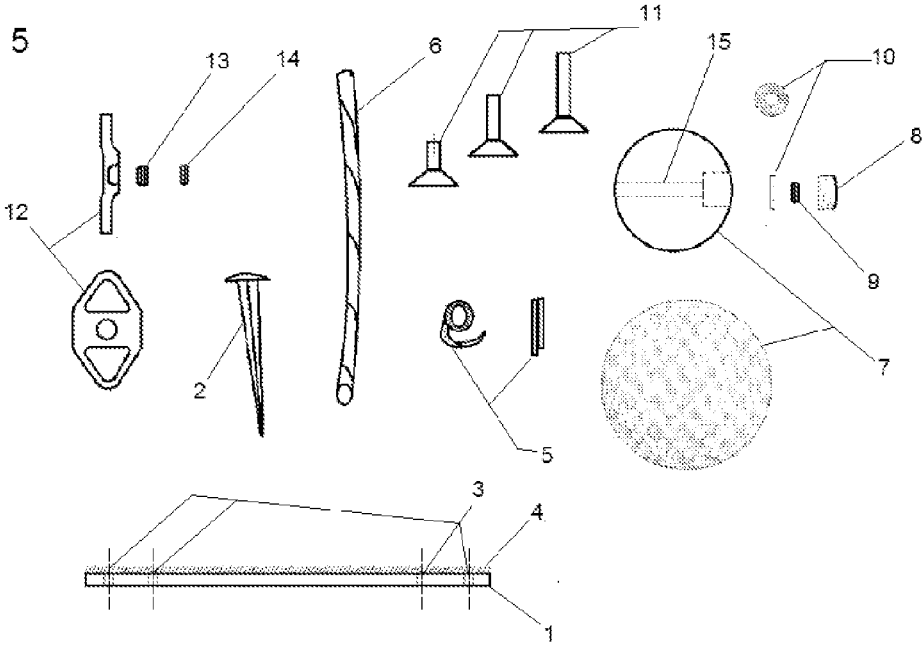


Figure 5



GOLF SWING CADDIE

[0001] This is a simple, lightweight, portable training device to be placed in front of a golfer who sets up for addressing and striking the golf ball from an artificial turf. This device gives the flexibility of a practicing golfer's swing and striking the golf and may be used indoors and outdoors.

[0002] United States Patent Office

BACKGROUND OF INVENTION

[0003] 1. Field of Invention

[0004] Golfers are constantly seeking for ways to improve their golf swing technique to improve control, and maximize distance and increase consistency. The Golf Swing Caddie allows for a golfer to place the artificial turf before them and start improving the common mistake of a lack of confidence in ball strikes resulting in a panther of ill desired shots stemming from this. Generally with many tools in the market for golfer the Golf Swing Caddie is superior in terms of its light weight ease of using and portability.

[0005] With a multitude of stance forms a golfer can try new ways to strike the ball; ultimately they have to find out what works best with them. Ball positing in relationship to their stance is a starting point, then followed through the striking impact zone to the ball from the intended target. The Golf Swing Caddie allows the golf to actually line up their feet with the artificial turf and see their ball strike results to the intended target ball see the line of the bungee cord. Whereby the golfer that is using this effective tool may tackle these few problems and overcome them in a routine to conquering the inconsistencies in the golf shot to a more established confidence form.

[0006] 2. Description of Prior Art

[0007] It is known in the prior art to provide other devices that may be used similarly to the Golf Swing Caddie.

[0008] There are few devices that may help a golfer's ball striking ability. Many devices have been designed to improve the golf swing.

[0009] i. Such devices as disclosed for example in U.S. Pat. No. 8,118,685, U.S. Pat. No. 8,109,839, U.S. Pat. No. 8,105,177, U.S. Pat. No. 8,043,164, U.S. Pat. No. 7,988,563, U.S. Pat. No. 8,021,242 and U.S. Pat. No. 8,029,381, attempt to give aides that help by attaching something to the golfer or using obtrusive apparatus that restrict movement of the hips directly without addressing or addressing the ball giving visual present on mat strike or hitting spins after, and throughout the backswing.

[0010] ii. Another device disclosed in U.S. Pat. No. 7,927,228, is three visual guideline displayed thereon. Pair of bars is attached to the golf mat which would aid in correctly aligning the golfer's body to provide the proper stance when addressing a golf ball.

[0011] iii. Another device, device disclosed in U.S. Pat. No. 7,997,994, a short portion and a parallel long portion both connect to a rear portion and define a channel. The short portion is shorter than long portion to form a J-shaped mat. A golf ball is placed between the two portions at designated markers depending on the type of golf iron used, and the size of the divot resulting.

[0012] vi. A device called the Golf Swing Grover, it is a device made of heavy steel with a golf ball hanging down from a metal arm and the device anchor by stakes outdoors. The golfer hits the ball and the ball spins a circle around it. This device is okay but really allow for true readying of the ball flight and not usable in the house.

[0013] v. A device called the Swing Box; it is a big bulky instrument whereby the golfer hits for a turf built into the device. This device in big and costly, and not usable outdoors and only allow for three or four feet of viewing ball flight.

[0014] vi. Another is screen ball flight simulators, again may be used indoors only and is very costly.

[0015] vii. Another that is most similar to the Golf Swing Caddie is a Practice turf. This device has a hard ping pong ball with holes tied to a polyester string attached to a metal steel bar that is placed in the ground. The ball is placed on the artificial turf and struck. This tool has problems in terms of the ball and steel ball are sent flying outdoors when struck hard. The turf isn't very durable and cannot be used indoors.

1. The claim of the Golf Swing Caddie is that is an artificial golf turf training device. This rectangular base synthetic artificial turf provides is very durable. It has a tee passing through one of the middle hole and bungee cord passing through the other of the two middle holes and anchored by large washer and bound by a tied barb wire and connected to the other end of the bungee cord with a real rubber golf ball attached also it anchored by a small washer and bound by a tied barb wire.

2. The claim of the Golf Swing Caddie is that this artificial golf turf training device. This rectangular base synthetic artificial turf provides a very durable hitting mat with four corner holes and shall be anchored to the ground with stakes or indoors carpet with O-ring hooks to use.

* * * * *