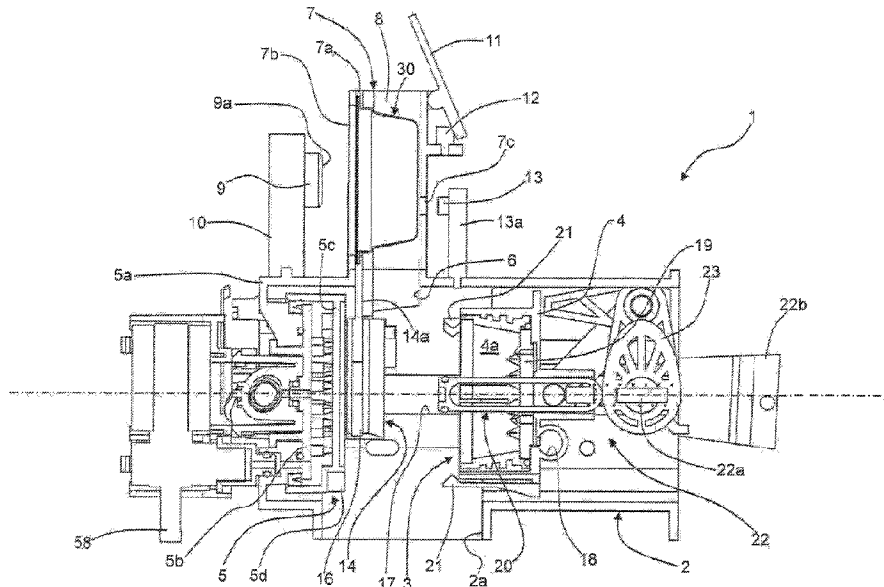




(86) Date de dépôt PCT/PCT Filing Date: 2014/06/17
 (87) Date publication PCT/PCT Publication Date: 2015/01/15
 (45) Date de délivrance/Issue Date: 2021/04/06
 (85) Entrée phase nationale/National Entry: 2015/12/17
 (86) N° demande PCT/PCT Application No.: IB 2014/062291
 (87) N° publication PCT/PCT Publication No.: 2015/004552
 (30) Priorité/Priority: 2013/07/08 (IT TO2013A000567)

(51) Cl.Int./Int.Cl. *A47J 31/44* (2006.01)
 (72) Inventeurs/Inventors:
 BUGNANO, LUCA, IT;
 CABILLI, ALBERTO, IT
 (73) Propriétaire/Owner:
 LUIGI LAVAZZA S.P.A., IT
 (74) Agent: MACRAE & CO.

(54) Titre : MACHINE ET SYSTEME DE PREPARATION DE PRODUITS LIQUIDES A L'AIDE DE CAPSULES
 (54) Title: MACHINE AND SYSTEM FOR THE PREPARATION OF LIQUID PRODUCTS USING CAPSULES



(57) **Abrégé/Abstract:**

A machine for preparing liquid food products using capsules (30) comprises a dispensing assembly (1) having a first part (3) and a second part (5) designed to define an infusion chamber between them and a loading arrangement including an insertion guide (7) that defines at least part of a displacement path of the capsule (30) in the dispensing assembly (1). The loading arrangement comprises first retaining means (15), which define an intermediate retention position of the capsule (30). The first retaining means (15) can be switched from the respective condition of retention to a respective condition of release of the capsule (30) by applying to the capsule itself a force of thrust in the direction of movement.

(12) INTERNATIONAL APPLICATION PUBLISHED UNDER THE PATENT COOPERATION TREATY (PCT)

(19) World Intellectual Property
Organization
International Bureau(10) International Publication Number
WO 2015/004552 A1(43) International Publication Date
15 January 2015 (15.01.2015)(51) International Patent Classification:
A47J 31/44 (2006.01)(21) International Application Number:
PCT/IB2014/062291(22) International Filing Date:
17 June 2014 (17.06.2014)

(25) Filing Language: Italian

(26) Publication Language: English

(30) Priority Data:
TO2013A000567 8 July 2013 (08.07.2013) IT

(71) Applicant: LUIGI LAVAZZA S.P.A. [IT/IT]; Corso Novara, 59, I-10154 Torino (IT).

(72) Inventors: BUGNANO, Luca; c/o Luigi Lavazza S.p.A., Corso Novara, 59, I-10154 Torino (IT). CABILLI, Alberto; c/o Luigi Lavazza S.p.A., Corso Novara, 59, I-10154 Torino (IT).

(74) Agent: GALLAROTTI, Franco; Buzzi, Notaro & Antonielli d'Oulx S.r.l., Via Maria Vittoria 18, I-10123 Torino (IT).

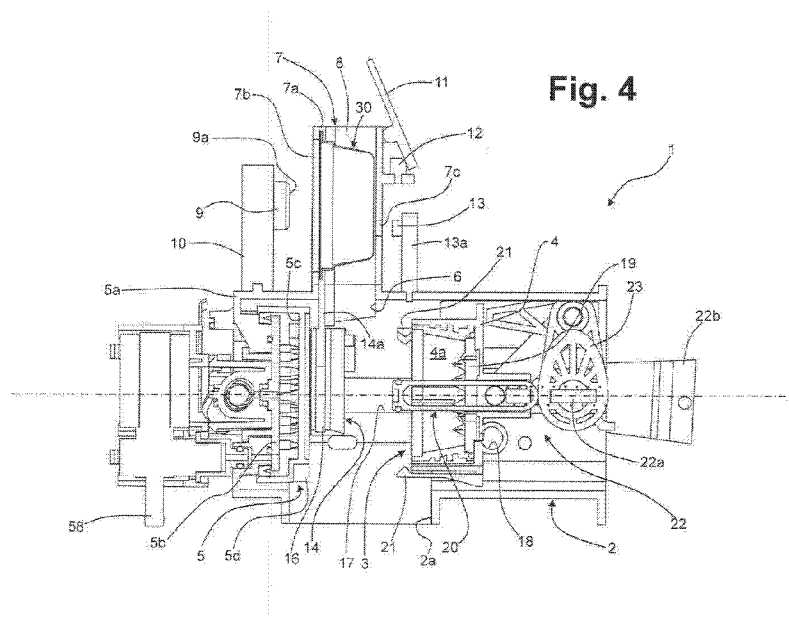
(81) Designated States (unless otherwise indicated, for every kind of national protection available): AE, AG, AL, AM, AO, AT, AU, AZ, BA, BB, BG, BH, BN, BR, BW, BY, BZ, CA, CH, CL, CN, CO, CR, CU, CZ, DE, DK, DM, DO, DZ, EC, EE, EG, ES, FI, GB, GD, GE, GH, GM, GT, HN, HR, HU, ID, IL, IN, IR, IS, JP, KE, KG, KN, KP, KR, KZ, LA, LC, LK, LR, LS, LT, LU, LY, MA, MD, ME, MG, MK, MN, MW, MX, MY, MZ, NA, NG, NI, NO, NZ, OM, PA, PE, PG, PH, PL, PT, QA, RO, RS, RU, RW, SA, SC, SD, SE, SG, SK, SL, SM, ST, SV, SY, TH, TJ, TM, TN, TR, TT, TZ, UA, UG, US, UZ, VC, VN, ZA, ZM, ZW.

(84) Designated States (unless otherwise indicated, for every kind of regional protection available): ARIPO (BW, GH, GM, KE, LR, LS, MW, MZ, NA, RW, SD, SL, SZ, TZ, UG, ZM, ZW), Eurasian (AM, AZ, BY, KG, KZ, RU, TJ, TM), European (AL, AT, BE, BG, CH, CY, CZ, DE, DK, EE, ES, FI, FR, GB, GR, HR, HU, IE, IS, IT, LT, LU, LV, MC, MK, MT, NL, NO, PL, PT, RO, RS, SE, SI, SK, SM, TR), OAPI (BF, BJ, CF, CG, CI, CM, GA, GN, GQ, GW, KM, ML, MR, NE, SN, TD, TG).

Published:

— with international search report (Art. 21(3))

(54) Title: MACHINE AND SYSTEM FOR THE PREPARATION OF LIQUID PRODUCTS USING CAPSULES



(57) Abstract: A machine for preparing liquid food products using capsules (30) comprises a dispensing assembly (1) having a first part (3) and a second part (5) designed to define an infusion chamber between them and a loading arrangement including an insertion guide (7) that defines at least part of a displacement path of the capsule (30) in the dispensing assembly (1). The loading arrangement comprises first retaining means (15), which define an intermediate retention position of the capsule (30). The first retaining means (15) can be switched from the respective condition of retention to a respective condition of release of the capsule (30) by applying to the capsule itself a force of thrust in the direction of movement.

WO 2015/004552 A1

“Machine and system for the preparation of liquid products using capsules”

DESCRIPTION

Technical field

5 The present invention relates to machines, systems, and methods for the preparation, by means of capsules, of beverages and liquid food products in general. The invention has been developed with particular reference to a machine provided with a control system including an optical sensor device, for detecting graphic information associated to the body of a capsule and controlling an operating mode of the machine accordingly.

10 Prior art

From WO 2011/089048, a machine of the type referred to is known, configured for preparing liquid products using capsules, which have a substantially cup-shaped body that houses ingredients that are able to form a liquid product together with a preparation fluid, such as for example water. The aforesaid machine has a dispensing assembly comprising an injector of the preparation fluid and a capsule-holder, which can be brought into a close position, where they define an infusion chamber between them that enables injection of the fluid into the capsule and subsequent delivery of the product.

20 The known machine has a loading arrangement that includes an insertion guide, defining a first part of a path of displacement of the capsule within the machine. This guide is configured for enabling introduction therein of the capsule with a predetermined orientation and for determining a direction of movement thereof by gravity towards a predefined loading position, in which the capsule itself is set substantially coaxial to the capsule-holder, within the latter. The machine moreover has an actuation system, which is operable to bring about relative displacements of the injector and the capsule-holder between a spaced-apart position, in which the capsule can reach the aforesaid loading position, and the aforesaid close position, in which injection of the preparation fluid into the capsule and delivery of the liquid product are enabled.

30 The machine has a control system, including processing means, memory means, and an optical sensor device, for detecting characteristic information of the capsule, encoded by means of a dedicated graphic code appearing on the front sealing foil of the capsule itself. The processing means are provided for controlling an operating mode of the machine from among a plurality of possible

- 2 -

operating modes, on the basis of appropriate programs contained in its memory means and on the basis of parameters assumed each time via the optical sensor device. The graphic code read via the optical sensor is a two-dimensional barcode, which by its nature enables encoding of a significant amount of data, including the type of liquid product associated to the capsule, and its optimal preparation
5 parameters, such as the temperature of the water to be injected or that of the product to be delivered, the pressure of the water, the amount of water, and so forth. In this way, the control system of the machine is able to recognize automatically the type of capsule and acquire therefrom the optimal parameters
10 for preparing the corresponding liquid product. An advantage of the known solution, which is inherent in a two-dimensional barcode (for example, a Datamatrix code or a QR code), is that reading and interpretation of the graphic code does not presuppose a predefined angular positioning of the front of the capsule, i.e., of its sealing foil. However, the machine known from the document
15 No. WO 2011/089048 is very complicated.

The optical sensor is mounted stationary in an intermediate position of a second part of the path of displacement of the capsule in the machine, with the detection active part of the sensor set facing downwards. In order to enable reading of the code by the optical sensor, the guide for insertion of the capsule is
20 configured for receiving the capsule itself with its front sealing foil set substantially vertical or modestly inclined, or else in such a way that the capsule is substantially set horizontal, and in any case in such a way that the capsule displaces along the guide by gravity and then drops into the capsule-holder. The latter is mounted in the assembly with the opening of the corresponding housing
25 facing upwards, in such a way that the capsule, after reaching by gravity the inside of the capsule-holder, will have its sealing foil substantially horizontal and facing upwards. The actuation system comprises a transfer arrangement, for translating the capsule-holder along the aforesaid second part of the displacement path, i.e., in a direction transverse with respect to the direction of insertion by gravity of the
30 capsule. Via this transfer arrangement, which includes an electric motor and a corresponding belt transmission, the capsule-holder is shifted horizontally from its position for loading of the capsule into a position where it is set underneath the injector. Operation of the transfer arrangement is temporarily arrested when the capsule-holder is located underneath the sensor device, thereby enabling reading
35 of the barcode. Once reading is through, the transfer arrangement is started off

again, until the capsule-holder is brought into substantial alignment with respect to the injector, underneath it. The actuation system further includes an arrangement of approach, via which a relative vertical movement is produced between the injector and the capsule-holder in order to bring them into the
5 respective close position, which enables injection of the fluid and delivery of the liquid product. After delivery, for the purposes of preparation of a new product, the approach and transfer arrangements must be actuated in the direction opposite to the previous one in order to bring the capsule-holder back into its initial position for loading of a new capsule, underneath the insertion guide.

10 The known solution is very complex, cumbersome, costly, and subject to malfunctioning, in particular if it is considered that the optical sensor device, the transfer arrangement and the arrangement of approach must be housed within the dispensing assembly, i.e., in an environment that is by its very nature subject to significantly high temperatures and severe conditions of humidity.

15 WO 2011/089048 mentions that reading of the two-dimensional barcode can be carried out without interrupting transfer of the capsule-holder from the loading position to the position where it is set underneath the injector using a photographic camera of a flutter-shutter type, i.e., a photographic camera that is able to capture images of a moving object, with a very short exposure time (some
20 tens of milliseconds), or else a scanner mounted in a movable way, or again envisaging an external portable optical reader. These alternatives are a source of further problems in the production of the machine and/or in its use, its reliability over time, and its cost.

Aim and summary

25 In its general terms, the present invention basically proposes to provide a machine of the type referred to that presents a compact structure, is simple from the constructional and functional standpoint, is convenient to use and is distinguished by a high reliability.

30 An auxiliary aim of the invention is to provide such a machine that is able to function with a wide range of capsules, also coming from different manufacturers.

35 According to the invention, one or more of the above aims are achieved thanks to a machine for preparation of liquid food products using capsules that have a substantially cup-shaped body with two generally opposite end walls and an outwardly extending flange at one of said opposite end walls, the cup-shaped

body housing a dose of at least one substance that can form a liquid food product using a fluid, comprising water and/or steam, the machine comprising a housing; a dispensing assembly having a first part and a second part designed to define an infusion chamber, at least the first part defining a seat configured for receiving at
5 least partially one said capsule, wherein one of the first part and the second part of the infusion chamber is configured for injection of the fluid into the capsule and the other one of the first part and the second part is configured for delivery of the liquid foodstuff product from the infusion chamber; a loading arrangement including an insertion guide that has an upper end and a lower end, and comprises
10 two opposite guiding cavities between which said flange of the capsule is receivable and able to slide, the two opposite guiding cavities defining at least part of a displacement path of the capsule into the housing and being configured for enabling insertion therein of the capsule with a predefined substantially vertical orientation of said flange, the two opposite guiding cavities being also configured
15 for determining a direction of movement of the capsule towards a loading position thereof, in which position the capsule is arranged substantially coaxial to at least one of the first part and the second part; an actuation system, operable to cause relative movements of the first part and the second part between a spaced-apart position, in which the capsule can reach the loading position, and a close position,
20 in which the first part and the second part define between them the infusion chamber for enabling injection of the fluid into the capsule; and a control system, including a controller, a non-volatile memory, and an optical sensor device into the housing for acquiring characteristic information associated to one of said end walls of the body of the capsule, wherein the controller is prearranged for
25 controlling an operating mode of the machine from among a plurality of possible operating modes on the basis of encoded instructions contained in the non-volatile memory and of said characteristic information that can be acquired via the optical sensor device; wherein the actuation system is prearranged in such a way that the relative movements between the first part and the second part of the infusion chamber between the spaced-apart position and the close position take place in a
30 direction generally transverse to the direction of movement of the capsule as determined by the insertion guide; the optical sensor device is mounted into the housing laterally to the insertion guide, at an intermediate region of said opposite guiding cavities that between said upper and lower ends of the insertion guide and
35 is upstream of the loading position, with a detection active-part of the optical

sensor device which is directed in a direction generally transverse to the direction of movement of the capsule into the housing as determined by the insertion guide and such that said end wall of the body of the capsule at least temporarily faces the detection active-part in the course of displacement of the capsule towards the loading position thereof; and the loading arrangement comprises a first retaining arrangement, which is operatively set along the displacement path, to stop sliding of said flange of the capsule within said opposite guiding cavities and thereby define an intermediate retention position of the capsule at said intermediate region into the housing, in such a way that the control system is able to acquire said characteristic information via of the optical sensor device when the capsule is in said intermediate retention position, in the intermediate retention position the flange of the capsule being vertically spaced apart from the first part and the second part of the infusion chamber; wherein the first retaining arrangement is switchable from a condition of retention to a condition of release of said flange of the capsule by applying to the capsule a force of thrust in said direction of movement, such that the capsule is enabled to further proceed sliding within the housing along said opposite guiding cavities to reach said loading position in which the capsule is arranged substantially coaxial to at least one of the first part and the second part. The invention likewise relates to a system and a method for the preparation of beverages that uses said machine. Advantageous developments are further described herein.

This embodiment enables a considerable simplification of the machine to be obtained, with a corresponding increase in its reliability and compactness. The relative movements between the parts of the infusion chamber are elementary and can be obtained via a single mechanism with reciprocating movement. Also the positioning and connection of the optical sensor prove simplified, to the advantage of simplicity of construction of the dispensing assembly and of its compactness. The provision of means that temporarily withhold the capsule in an intermediate detection position upstream of the loading position further simplifies production of the machine, without the need for complex checks or complicated optical reading devices, either mounted movable or even mounted on the outside of the machine. The fact that the aforesaid retaining means can be switched via exertion of a force of thrust on the capsule enable the aforesaid simplification of the actuation system to be obtained.

In one embodiment, the machine presents the additional characteristics

wherein provided upstream of the upper end of the insertion guide is a displaceable hatch mounted angularly movable about a rotation axis between a lowered position and a raised position, in which access to the insertion guide is prevented or allowed, respectively, there being operatively associated to the displaceable hatch a detector switchable between a first condition and a second condition, corresponding to the lowered position and to the raised position of the hatch, respectively, and wherein the control system is prearranged for starting a step of detection of the characteristic information following upon at least one switching of the detector between the first condition and the second condition. In this way, the step of acquisition of information by the control system can be enabled in a simple way, exploiting the presence of a movable element, such as a hatch, which must in any case be operated by a user in order to insert a capsule into the machine. The movable element also protects access into the dispensing assembly and may advantageously be exploited for generating the thrust to be applied on the capsule in the direction of insertion.

In one embodiment, the machine presents the additional characteristics wherein the control system comprises a further sensor device mounted laterally to the insertion guide, at a position of said opposite guiding cavities that is comprised between the upper end of the insertion guide and said intermediate region of said opposite guiding cavities, the further sensor device being configured for detecting presence of the capsule after it has been introduced into the housing via the insertion guide, and consequently enabling a step of detection of said characteristic information by means of the optical sensor device. The presence of a sensor for detecting the presence of a capsule, in particular when in combination with a sensor for detecting the state of the aforesaid movable element, increases reliability of starting of the step of detection via the optical sensor and enables the level of power consumption of the machine to be contained.

The preferred presence of second retaining means, in an embodiment wherein the loading arrangement further comprises a second retaining arrangement, operatively set along the displacement path downstream of the first retaining arrangement and designed to stop sliding of said flange of the capsule within said opposite guiding cavities at said loading position, the dispensing assembly being configured in such a way that, in said loading position, the capsule is substantially coaxial to the first part and to the second part of the

infusion chamber. This enables determination in a simple way of the loading position of the capsule, in an intermediate position thereof where it is substantially coaxial to the two parts of the infusion chamber, with consequent further simplification of the actuation system of the machine. Advantageously, the second
5 retaining means can be switched between the respective positions of retention and release of a capsule following upon relative movements between the parts of the infusion chamber, in particular via mechanical interference with one of the above parts, without the need for additional components in the dispensing assembly.

Integration of the first and second retaining means in a single retaining
10 device enables a considerable simplification and reduction of the overall dimensions of the machine, in addition to the advantages already highlighted above.

According to an embodiment wherein the optical sensor device is mounted into the housing outside of the dispensing assembly, the optical sensor
15 device is in a protected position that is minimally subject to heat and humidity.

In one embodiment, the presence of ejector means ensures in any case separation of a spent capsule from the housing of the first part of the infusion chamber, without any risk of jamming. On the other hand, the presence of coupling means ensures separation of a spent capsule also from the first part of the
20 infusion chamber. Advantageously, the ejector means and the coupling means can co-operate with one another with consequent further advantage in terms of reliability of mechanical operation of the machine.

There are preferred embodiments wherein the insertion guide comprises a body including at least one axially extended portion having a substantially tubular
25 configuration, said axially extended portion defining at least one corresponding portion of each of said opposite guiding cavities, or wherein said axially extended portion of said body of the insertion guide has an top end, a bottom end and at least one discontinuity between said top end and said bottom end, the active part of the optical sensor device being positioned at said discontinuity. This enables an
30 increase in the precision of guiding during insertion of a capsule and protection of the sensor means set in the proximity of the insertion guide.

One solution provided is wherein the optical sensor device comprises a video camera or a photographic camera designed for acquiring an image of at least one portion of said end wall of the body of the capsule and wherein the controller
35 is prearranged for comparing said image with a plurality of reference images

contained in the non-volatile memory. This enables implementation of a simple, inexpensive, and flexible logic of recognition of the capsules.

5 The same advantages as mentioned before, as well as others that will emerge hereinafter, are achieved by the system and by the method referred to herein.

Brief description of the drawings

10 Further aims, characteristics, and advantages of the invention will emerge clearly from the ensuing detailed description, with reference to the annexed drawings, which are provided purely by way of non-limiting example and in which:

- Figure 1 is a schematic perspective view of a dispensing assembly of a machine for preparing liquid products using capsules according to one embodiment of the invention, in a step of insertion of a capsule into the assembly

- 6 -

itself;

- Figures 2 and 3 are a schematic top plan view and a schematic view in side elevation of the assembly of Figure 1;

5 - Figure 4 is a schematic cross section according to the line IV-IV of Figure 2;

- Figures 5 and 6 are schematic cross sections according to the lines V-V and VI-VI of Figure 2, respectively;

- Figure 7 is a schematic cross section of a device for retaining a capsule, belonging to the dispensing assembly of Figures 1-6;

10 - Figures 8 and 9 are a front elevation and a perspective view, respectively, of a retaining member of the device of Figure 7;

- Figure 10 is a portion of the dispensing assembly of Figure 1, in the absence of a capsule;

15 - Figures 11 and 12 are a perspective view and a cross-sectional view, respectively, of a sealed capsule that can be used in a machine according to the invention;

- Figure 13 is a schematic representation of a possible embodiment of a machine for preparing liquid products according to the invention;

20 - Figures 14 and 15 are schematic cross-sectional views similar to those of Figures 4 and 6, respectively, with the assembly in a step of relative approach between a capsule-holder and an injector thereof;

25 - Figures 16 and 17 are schematic cross-sectional views similar to those of Figures 4, 6 and 14-15, respectively, but with the capsule-holder and the injector in a position where they are close to one another, in a condition of infusion;

- Figure 18 is a cross-sectional view similar to that of Figures 4, 14 and 16, with the dispensing assembly in a condition of expulsion of a capsule; and

30 - Figure 19 is a schematic representation of some examples of differentiation of a graphic sign appearing on a capsule that can be used in a machine according to the invention.

Detailed description

35 Illustrated in the ensuing description are various specific details aimed at providing an in-depth understanding of the embodiments. The embodiments may be obtained without one or more of the specific details, or with other methods, components, materials, etc. In other cases, structures, materials, or operations that

- 7 -

are known or evident to the person skilled in the branch are not illustrated or described in detail so that the various aspects of the embodiments will not be obscured. Reference to “*an embodiment*” or “*one embodiment*” in the framework of the present description is meant to indicate that a particular configuration,
5 structure, or characteristic described in relation to the embodiment is comprised in at least one embodiment. Hence, phrases such as “*in an embodiment*” or “*in one embodiment*” and the like that may be present in various points of the present description do not necessarily refer to one and the same embodiment. Furthermore, particular conformations, structures, or characteristics may be
10 combined in any adequate way in one or more embodiments. The references used herein are merely provided for convenience and hence do not define the scope of protection or the scope of the embodiments.

In Figures 1-6, designated as a whole by 1 is the dispensing assembly of a machine according to one embodiment of the invention, which in this case
15 extends as a whole according to a horizontal axis, designated by A in Figures 4 and 5. The assembly 1 has a supporting structure, which in the figures is exemplified in the form of a casing 2 having an approximately cylindrical shape. Located within the casing 2 are a first part and a second part of an infusion chamber, at least one of which is movable with respect to the other. In the
20 example illustrated (Figure 4), the first part includes a capsule-holder 3, designed to house at least partially a capsule and to deliver the liquid product obtained therefrom. The capsule-holder 3, which substantially shares the axis A, comprises a body 4 that is mounted movable with respect to the casing 2 and defines a housing 4a that is able to receive part of a capsule. The second part of the infusion
25 chamber comprises an injector device, referred to hereinafter for simplicity as “injector”, designated by 5, designed to introduce into a capsule water and/or steam under pressure, supplied through a suitable duct. In the example illustrated, the injector 5 substantially shares the axis A and preferably, but not necessarily, is mounted in a stationary position with respect to the casing 2. In embodiments (not
30 represented), the injector 5 may be movable in order to obtain an approach between the injector itself and the capsule-holder 5. It is to be noted that, in possible variant embodiments (not illustrated), the function of injection of the fluid into the capsule can be obtained in the first part 3 of the infusion chamber, and the function of delivery of the liquid product can be obtained in the second
35 part 5 of the infusion chamber.

- 8 -

In its upper part the casing 2 has an insertion opening, designated by 6 in Figure 4, forming part of a loading arrangement, for insertion of a capsule into the assembly 1, as far as a loading position thereof. Provided at the opening 6 is an insertion guide 7, here substantially vertical, even though an arrangement of the guide inclined with respect to the vertical is not excluded. A capsule, designated by 30 in Figure 4, is inserted in the guide 7 and withheld in an intermediate position of a path thereof towards the aforesaid loading position, as described hereinafter.

In one embodiment, such as the one exemplified, the guide 7 is stationary, rises from the upper part of the casing 2 and has at least a respective substantially tubular portion that extends axially, thereby defining a passage 8 for introduction and guiding of the capsules. In the example, the cross section of the guide 7 has a profile substantially corresponding to the cross section of the capsules so as to enable guided introduction thereof with relative precision into the assembly 1. In this perspective, preferably, the guide 7 defines two guide cavities 7a, which are vertical and opposed to one another and between which the flange of a capsule 30 can be received.

In the example illustrated, the body of the guide 7 has at least one discontinuity 7b, where an optical sensor device 9 is positioned, belonging to the control system of the machine according to the invention. The optical sensor 9 is preferably a video camera or a photographic camera, designed for acquisition of an image of at least one portion of one of the end faces of the body of a capsule, in particular the face 34 including a sealing foil, as may be seen in Figure 1. In the example illustrated, the discontinuity 7b is an opening present in the side of the guide 7 facing the optical sensor 9, this opening having dimensions such that a substantial part of the aforesaid sealing foil 34 of the capsule 30 is exposed to an active image-acquisition part 9a of the optical sensor 9. In the example, the opening 7b has a generally circular profile, through which the most part of the sealing foil of the capsule is exposed to the optical sensor 9, but this is not strictly necessary, since acquisition of a central area of the aforesaid foil is also sufficient. The discontinuity 7b may be constituted, instead of by an opening, by a transparent stretch of the wall of the guide 7 that faces the optical sensor 9, in which case the aforesaid transparent part may possibly be configured for performing functions of lens. Of course, the entire body of the guide 7 may be made of a transparent plastic material. It will also be appreciated that the guide 7,

- 9 -

instead of having a structure at least in part tubular, may include two generally parallel upright elements, each of which defines a respective guide cavity 7a. In this case, the discontinuity that enables exposure of the sealing foil 34 of the capsule to the optical sensor 9 is represented by the free space between the
5 aforesaid two upright elements.

Once again with reference to the example illustrated, the optical sensor 9 is preferentially supported by a corresponding support 10 that rises from the upper part of the casing 2, generally parallel to the guide 7. In any case, the sensor is mounted laterally with respect to the guide 7, preferably on the outside of the
10 casing 2 of the assembly 1.

In a preferred embodiment, such as the one illustrated, upstream of the upper end or entry mouth of the guide 7 a displaceable element is provided, here represented by a hatch 11, hinged for turning according to a substantially horizontal axis, preferably a normally closed monostable hatch.

15 In the practical embodiment, the assembly 1 is practically completely housed within a casing (not represented) of the machine for preparing beverages, with the upper mouth of the guide 7 that projects at least slightly on the outside of the casing, or that is substantially flush with an opening of the casing of the machine. The hatch 11 may thus be hinged to the body of the guide 7, as in the
20 case exemplified, or else on the outside of the casing of the machine, at the upper inlet of the guide 7. The hatch 11 is mounted movable between an open position and a closed position, in which access to the mouth of the guide 7 is prevented or allowed, respectively; in the figures, for simplicity, the hatch 11 is represented in an intermediate position.

25 Preferably, associated to the hatch 11 is an electrical control means, such as a switch, designated by 12 in Figures 3 and 4, preferably a micro-switch. The switch 12 can be switched between two different conditions, one of which corresponding to an open position of the hatch 11 such as to enable introduction of a capsule 30 into the guide 7. For instance, the switch 12 may be of a normally
30 open type, which is able to switch into the position of closing of an electrical circuit when the hatch 11 reaches the aforesaid open position. As will be seen hereinafter, the function of the switch 12 associated to the hatch 11 is to start off or enable, via the control system of the machine, a step of acquisition by the optical sensor 9 of an image associated to the body of a capsule 30 that is
35 introduced into the assembly 1.

- 10 -

In a particularly advantageous embodiment, such as the one exemplified, the control system of the machine comprises a second sensor device 13, configured for detecting the presence of a capsule 30 after it has been introduced into the guide 7. In the case exemplified (see Figures 3 and 4) also the presence
5 sensor 13 is mounted laterally with respect to the guide 7, preferably but not necessarily on a support 13a, on the side of the guide 7 opposite to the one that the optical sensor 9 faces. The sensor 13 may be of any type designed to detect the presence of a capsule in an intermediate position of the path of displacement of the capsule towards its loading position, described hereinafter, and in any case in
10 a position such that the presence of a capsule can be detected before the latter passes beyond the area of image acquisition by the sensor 9, here identified by the opening 7b of the guide 7.

In the example represented, the active part of the sensor 13 faces a corresponding discontinuity 7c of the guide 7, such as an opening or a transparent
15 part or just a free space. As will be seen hereinafter, the function of the presence sensor 13 is to activate a step of detection by the sensor 9. For this purpose, preferentially activation of the sensor 9 depends upon a detection made by the sensor 13, activation of which in turn depends upon the condition of switching of the switch 12.

20 The presence sensor 13 may itself be a micro-switch, with a corresponding feeler that drives closing of the circuit when it comes into contact with the body of a capsule. Preferentially, however, the sensor 13 is a sensor that does not come into physical contact with the capsule, for example a proximity sensor or a sensor including an emitter and a receiver of electromagnetic radiation,
25 such as an emitter diode and a phototransistor, possibly integrated in one and the same opto-electronic component available on the market: in the latter case, very schematically, via the emitter electromagnetic radiation is emitted with a predefined wavelength or with a predefined range of wavelengths, for example infrared radiation, the beam impinging on the outer surface of the bottom wall of
30 the capsule at a certain angle, and being then reflected at least in part onto the receiver, thereby enabling determination of the presence of the capsule; in the case of absence of the capsule, the radiation is not instead reflected onto the receiver. The sensor 13 may include a photoelectric-cell system, with the emitter and the receiver set in opposite positions on the passage 8 defined by the guide 7 so that a
35 beam of radiation from the emitter to the receiver is interrupted when a capsule is

- 11 -

set between them. The presence sensor may be positioned also to interact with a peripheral wall of the capsule, instead of with an end wall thereof. It will also be appreciated that, in principle, there is nothing to rule out positioning the sensor 13 on the same side of the guide 7 as where the sensor 9 is located.

5 The loading arrangement of the machine includes means for retention of a capsule after it has been inserted into the guide 7. For this purpose, in an advantageous embodiment, a retaining device is provided prearranged so as to define both an intermediate position of retention of a capsule, in which the capsule itself is kept in a static condition and exposes at least a part of its own sealing foil
10 34 to the optical sensor 9, and the aforementioned loading position, in which the capsule is substantially coaxial to at least one of the capsule-holder 3 and the injector 5.

 In a preferred embodiment, the retaining device comprises two opposed elements, here defined as “jaws”, designated by 14. The jaws 14 are set
15 substantially symmetrically on opposite sides of the axis A, in one and the same transverse plane and are mounted so that they can oscillate according to respective axes generally transverse to the direction of displacement of the capsule along the guide 7. In one embodiment, each jaw 14 has a respective vertical groove 14a (see Figure 1) that extends at least in part underneath a corresponding cavity 7a of the
20 guide 7, as far as within the assembly 1, in an intermediate position between the injector and the capsule holder (see Figure 4).

 The jaws 14 hence extend in length substantially perpendicular to the axis A and are articulated via at least one pin 14b, here substantially parallel to the axis A, coupled to the casing 2. The jaws 14 may be provided with springs or
25 similar elastic means 14c (partially visible in Figures 6, 15, and 17), provided for pushing the jaws themselves towards a position of equilibrium or where they are set close together. In other embodiments, the aforesaid position is obtained without the aid of dedicated springs, and the intrinsic elasticity of the material constituting the jaws 14 – for example, a plastic material – is exploited to enable
30 divarication thereof, without rotation pins. In the non-limiting example represented, the jaws 14 are articulated in a generally lower region thereof, but obviously the point of articulation may be different.

 In the embodiment illustrated, the jaws 14 are configured for defining two different positions of retention, and precisely an intermediate position of
35 retention and a final position of retention, downstream of the previous one,

- 12 -

corresponding to the loading position of the capsule. In order to clarify this aspect, Figure 7 illustrates, via a merely schematic cross section, a possible embodiment of the opposed jaws 14, with the simultaneous artificial presence of two capsules 30 between them, Figures 8 and 9 illustrate a jaw 14 in front elevation and in perspective view, respectively, and Figure 10 illustrates in perspective view a portion of the assembly 1 of Figure 1, in the absence of a capsule in the guide 7.

Present within the grooves 14a, in a generally upper position thereof, are two first retaining means or elements 15, for example formed by projections of the body of a jaw 14 towards the inside of the corresponding groove 14a. In the case exemplified, the upper part of the jaws 14 extends on the outside of the guide 7, and the retaining elements 15 are located at respective interruptions of the cavities 7a of the insertion guide 7.

The retaining elements 15 are in relative positions such that, when the jaws 14 are in the position of equilibrium where they are set close to one another, they arrest the movement by gravity of the capsule 30 along the cavities 7a and the grooves 14a, i.e., they constitute a hindrance to sliding of the flange of the capsule, as represented schematically in the case of the capsule 30 shown in the top position in Figure 7. By causing a temporary divarication of the jaws 14, the retaining elements 15 move away and thereby enable prosecution of the movement of the capsule 30 downwards, by gravity, along the cavities 7a and then along the grooves 14a. In an advantageous embodiment, release of the capsule from the first retaining elements 15 is obtained following upon application on the capsule of a force of thrust in its direction of movement, for example a manual thrust, such as to cause divarication of the jaws 14 that brings the elements 15 out of interference with the peripheral profile of the flange of the capsule.

In the lower part of the jaws 14, there are then provided two second retaining means or elements 16, here formed by generally converging lower portions of the two jaws 14 or in any case shaped in such a way that the lower ends of the grooves 14a are closer to one another than are the retaining elements 15, when these are in the corresponding position of release. In other words, when a thrust downwards is applied to a capsule 30 in order to free it from the first elements 15, the jaws 14 divaricate, but the presence of the second elements 16 in any case arrests the downward travel of the capsule 30 that has in the meantime been freed from the first elements 15, even in the case where the jaws 14 had not

- 13 -

yet returned elastically to the position of equilibrium. This second retaining condition is highlighted by the capsule 30 represented in the bottom position in Figure 7. As has been said, the position defined by the second retaining elements 16 corresponds, in one embodiment, to the loading position of the capsule, in which it is axially aligned to the capsule-holder 3.

The body of each jaw 14 is shaped – in particular in a part thereof internal to the casing 2 – so as to interact or interfere with parts or elements of the capsule-holder 3 in order to bring about divarication of the jaws themselves in the course of the relative movement between the injector 5 and the capsule-holder 3, in such a way that the capsule is released from the second retaining elements 16 here represented by the lower portions of the jaws 14. For this purpose, for example, the body of the jaws 14 may be provided with corresponding lead-ins or inclined planes, or present projections designed to co-operate with corresponding parts present on the capsule-holder, such as lead-ins or inclined planes. In Figures 8 and 9 examples of lead-ins are designated by 14d.

The first retaining elements and the second retaining elements do not necessarily have to be integrated in one and the same device including two jaws and could hence also have a conformation different from the one exemplified here, albeit preserving the general function of identifying two positions of retention of a capsule, one downstream of the other, during its displacement in the direction and according to the orientation determined by the guide 7. For instance, the first retaining elements can themselves include two opposed jaws, above two other jaws that form the second retaining elements; or again, the first retaining elements may comprise one or more elastic tabs or elements set in a retractile way along the guide 7, with the second retaining means constituted by underlying jaws.

The position of retention defined by the second retaining means 16, i.e., the position of loading of the capsule, does not necessarily mean that the capsule shares the axis A. In this position, in fact, the axis of a capsule could also be parallel or slightly inclined with respect to the axis A: in such an embodiment the conicity of the peripheral wall of the capsule and of the housing defined by the capsule-holder can be exploited to obtain a relative movement of centring between the elements in question, during advance of the capsule-holder, as clarified hereinafter.

With reference once again to Figure 4 and to Figure 6, in a preferred

- 14 -

embodiment, defined on each of the two opposite sides of the casing 2 is a linear guide, designated by 17. In the two guides 17, which are parallel to one another and to the axis A, respective lateral guide elements (visible for example in Figure 6, where they are designated by 3a) of the capsule-holder 3 are engaged. As has
5 been mentioned, the capsule-holder 3 then has parts or elements configured to bring about divarication of the jaws 14 as it advances towards the injector 5, these parts possibly comprising, for example, front elements and/or a leading edge of the capsule-holder 3 which define an inclined plane, designed to interact with corresponding lead-ins or inclined planes defined on each jaw 14, such as the
10 lead-ins 14d of Figures 8-9.

The cup-shaped body 4 of the capsule-holder 3 defines the corresponding housing 4a. For this purpose, the body 4 has a side or peripheral wall, which defines an inner surface of the housing 4a that is substantially frustoconical, or has some other shape congruent with that of the side wall of the capsules used. The
15 body 4 has a bottom wall with a corresponding passage (not indicated), which sets the inside of the housing 4a in fluid communication with a duct 18 for delivery of the liquid product that can be obtained using the capsule.

To the inner side of the bottom wall of the housing 4a there can be associated a perforating device 19, comprising one or more tips or reliefs.
20 Irrespective of the specific conformation of such a device 19, the arrangement is such that the liquid that flows out of the capsule, which is torn at the bottom by the aforesaid tips, can reach the delivery duct 18. The latter may be connected, for example via a flexible tube or a rigid coupling with a number of mating profiles, to a nozzle for delivery of the liquid product. On the other hand, the invention
25 may be applied also to the case of dispensing assemblies for capsules that have a pre-perforated bottom wall, in which case it is not necessary to provide a perforating device inside the capsule-holder.

In a preferred embodiment, the assembly comprises ejector means, designed to push a capsule towards the outside of the housing 4a according to a
30 relative displacement between the injector 5 and the capsule-holder 3 from the close position to the spaced-apart position.

These ejector means preferably comprise a longitudinally extended ejector member, which is movable with respect to the capsule-holder 3. In the example, the bottom wall of the capsule-holder 4 is traversed by a passage which
35 substantially shares the axis A, in which the ejector member is slidably mounted.

- 15 -

In the example, the ejector member is configured as rod or stem 20, having a cross section preferably at least in part cylindrical. The stem 20 also passes through a central passage of the supporting wall of the perforating device 19 inside the capsule-holder, when such a perforating device is provided. Preferentially, 5 operatively set between the capsule-holder 3 and the stem 20 is a spring, for forcing the stem itself towards a retracted position within the chamber. In the example, the stem 20 has a longitudinal cavity, represented for example in Figure 14, in which a guide projection 4b of the body 4 of the capsule-holder is located, and set between the aforesaid projection 4b and a contrast element 20a at the 10 distal end of the aforesaid longitudinal cavity is the above spring, designated by 20b.

In its mouth part, the housing 4a is limited by a leading annular edge, and the capsule-holder 3 has coupling members 21, which project at the front beyond the aforesaid leading edge. In one embodiment, three coupling members 21 are 15 provided, set at approximately 120° apart, at least one of which is preferably positioned in the lower area of the capsule-holder 4, as may be seen, for example, in Figure 4. The members 21 form part of a system aimed at facilitating separation of a capsule from the injector 5, in a step of discharge of the spent capsule in the cycle of use of the assembly 1.

20 The members 21 may be pivoted to the body 4 of the capsule-holder 3 and forced elastically into a position of closing towards the axis A, for example by means of a spring or other accumulator of mechanical energy. In another embodiment, such as the one exemplified, the aforesaid closing position is obtained without the aid of dedicated means, and the intrinsic elasticity of the 25 material constituting the members 21 – for example, a plastic material – is exploited to enable divarication thereof. The members 21 may be formed integral with the body 4 and/or provided so that the position of closing thereof is obtained in the absence of elastic loading: in such a case, the presence of possible elastic means and/or the intrinsic elasticity of the constitutive material is exploited for 30 enabling opening or divarication of the members 21 and subsequent return thereof to the closed position. Preferentially, the coupling members 21 have, in the respective front region, a respective tooth, where the aforesaid front region projects at the front beyond the leading edge of the capsule-holder 3.

35 The machine has an actuation system 22, which can be operated to bring about relative movements of the injector and the capsule-holder between a spaced-

- 16 -

apart position, in which the capsule can reach its loading position, and a close position, in which the injector and the capsule-holder define between them the infusion chamber, for enabling injection of the fluid into the capsule. The spaced-apart position is visible in Figures 4 and 6, whilst the close position is visible in
5 Figures 16 and 17.

In various embodiments, such as the one exemplified, the actuation system 22 comprises a substantially toggle or connecting-rod/rocker mechanism, which may for example be governed manually by a user via a lever. In other embodiments, the actuation mechanism may include gears.

10 The aforesaid mechanism preferably includes a shaft 22a that extends between the two opposite sides of the casing 2 and that is able to turn about an axis substantially perpendicular to the direction of displacement of the capsule-holder 3, here substantially coinciding with the axis A. The casing 2 defines for this purpose passages – with possibly associated bearing members or the like – for
15 the end regions of the shaft 22a, which project outside the casing itself, as may be seen, for example, in Figure 1; to these projecting ends of the shaft 22a there may be constrained a lever 22b, represented only partially, for manual actuation. The mechanism may then comprise a system of rockers and connecting rods according to known technique. The specific implementation of the mechanism, which could
20 also be driven electrically, is regardless of the purposes of the present invention and could hence be of any known type. Preferably, the actuation system 22 is designed to cause relative movements of the injector 5 and the capsule-holder 3 between the aforesaid spaced-apart position and the aforesaid close position, in a direction of displacement that is generally transverse to the direction of movement
25 of a capsule determined by the insertion guide 7.

With reference to the embodiment exemplified in the drawings, starting from the retracted position of the capsule-holder 3, visible in Figure 4 – the actuation system 22 is driven to cause – for example, with the lever 22b – a counter-clockwise rotation of the shaft 22a. This rotation can be obtained also in
30 an assisted way, for example by equipping the assembly with a controllable electric actuator, in which case the lever 22b is not indispensable. This rotation brings about actuation of the mechanism such as to cause a thrust forward of the capsule-holder 3 towards the injector 5. As has been said, in the example considered, the capsule-holder 3 is constrained to perform the linear movement in
35 opposite direction, thanks to the engagement of the elements 3a in the opposed

- 17 -

guides 17: in this way, it is possible to determine approach of the capsule-holder 3 to the injector 5. By causing then a rotation in a clockwise direction of the shaft 22a it is possible to obtain a reverse displacement, i.e., a recession of the capsule-holder 3 away from the injector 5.

5 In one embodiment, such as the one represented, a leading end of the stem 20 is provided with a sealing ring (not indicated), whilst the rear end of the stem 20 has a generally rounded configuration in order to co-operate with a cam member 23 that is fixed with respect to the shaft 22a in rotation. As will emerge hereinafter, the rear end of the stem 20 provides a cam-follower that co-operates
10 with a cam surface defined by the member 23. In another embodiment, the stem may also be constrained in a substantially stationary position at its rear end.

 The cam/cam-follower coupling referred to above is configured in such a way that, in the passage from the position where the injector 5 and the capsule-holder 3 are set at a distance apart to the position where they are set close up to
15 one another, the stem 20 assumes a position with respect to the bottom of the capsule-holder 3 such as not to interfere with insertion of a capsule 30 in the housing 4a, whereas in the passage from the position where the injector 5 and the capsule-holder 3 are set close up to one another to the position where they are set at a distance apart, the stem 20 assumes a position with respect to the bottom of
20 the capsule-holder 3 such as to cause expulsion of the capsule 30 from the housing 4a.

 Illustrated merely by way of example in Figures 11 and 12 is a capsule 30 (also known as "cartridge") that can be used in a machine according to the present invention, as already exemplified above. This capsule 30 has a structure
25 that is basically known, which is here described merely to enable easier understanding of an embodiment of the present invention.

 The capsule 30 contains a dose 31 of at least one substance that is able to form a liquid product via water and/or steam. The dose 31 may be constituted by ground coffee, or by another precursor of a liquid product, such as for example a
30 beverage, tea, powdered or granular chocolate, products for preparing broth, soups, drinks and infusions of various nature: the above list is to be understood as being provided purely by way of non-imperative example, and in the framework of the invention also capsules containing soluble substances are to be understood as being included. In what follows, for simplicity, reference will be made to the
35 preparation of coffee, with the dose 30 that is hence understood as being

- 18 -

constituted by ground coffee.

In the structure of the capsule 30, shaped substantially like a tray or small cup within which the dose 31 is located, it is possible to distinguish:

- 5 - a body 32, comprising a side or peripheral wall 32a and a lower wall or bottom wall 32b that closes the body 32 at one end of the side wall 32a; and
- an upper wall or closing wall that closes the capsule 30 at the end opposite with respect to the bottom wall 32b; in the example illustrated, the capsule 30 is a hermetically closed capsule, with the aforesaid upper wall that is constituted by a sealing foil 34.

10 In the example, the wall or foil 34 is connected in a fluid-tight way, for example by heat sealing, to the side wall 32a of the body 32 of the capsule, in particular to an outer flange thereof 32c which surrounds the mouth part of the body 32 and that extends towards the outside in a direction transverse with respect to a central axis of the body 21. In the case exemplified, the body 32 has a cup-
15 like conformation or is shaped like a tray diverging from the bottom wall 32b towards the end closed by the foil that forms the wall 34. Preferentially, this diverging conformation is a frustoconical conformation, which is not on the other hand imperative, in so far as the capsule 30 may present as a whole different shapes, for example a cylindrical, prismatic, frustopyramidal shape, or the like.
20 Also the bottom wall 32b may be variously shaped; for example, it may be plane, concave, or convex.

Associated to one of the end walls 32b and 34 of the body 32 is graphic information representing the type of capsule, for example the type of liquid product, e.g., strong coffee, or weak coffee, or Americano, or cappuccino, or tea,
25 etc. Preferably, the above information is present on the foil 34.

The aforesaid information may be encoded by a graphic code that is inscribed in a circular area concentric to the centre of the respective wall of the capsule body – here the wall or foil 34 – and is configured for being read by the optical sensor 9 of a machine according to the invention. Such a graphic code may
30 be of any conception known in the sector, for example a two-dimensional barcode, such as a QR code or a barcode with concentric rings. In such an embodiment, the encoded data may include the type of liquid product associated to the capsule and information representing its optimal modalities of preparation, such as the temperature of the water to be injected or that of the product to be
35 dispensed, the pressure of the water, the amount of water, particular cycles of

- 19 -

operation of the pump of the machine, such as for example the presence or absence of a pre-infusion step (i.e., a step of activation of the pump for a predetermined time, such as to enable injection of a first amount of liquid into the capsule, which is followed by a pause in injection of liquid and a new activation
5 of the pump, to obtain effective delivery of the liquid product). In such an embodiment, encoded in the control system is at least one program that uses the information and/or parameters acquired each time from the graphic code appearing on a capsule for controlling operation of the machine accordingly.

Represented schematically in Figure 13 is a machine for preparing liquid
10 products according to one embodiment of the invention, designated as a whole by 50.

The machine 50 comprises a tank 51 for cold water, with an outlet duct 52 on which a pump 53, of a type in itself known, for example an electromagnetic pump, is operative. Via the duct 52 the tank 51 is connected to an inlet of a boiler
15 54, which is also of a type in itself known. An outlet of the boiler 54 is connected to a duct 55 for supplying hot water and/or steam under pressure to an inlet of a distributor device, for example a slide distributor, designated by 56. When the distributor 56 is in a first operating position (on the left in Figure 13) it sets the duct 55 in communication with a duct 57 that supplies the nozzle 57a of an
20 external arm for delivery of hot water and/or steam; when, instead, the distributor 56 is in a second operating position (to the right in Figure 13), the duct 55 is set in fluid communication with a duct 58 for supplying hot water under pressure to the dispensing assembly 1 and especially to its injector 5. Finally, when the distributor 56 is set in an inoperative position (at the centre, as illustrated in
25 Figure 13), the duct 55 is in fluid communication with a duct 59 for return of water to the tank 51. Of course, the scheme of Figure 13 is merely an example, with the distributor 56 that may be motor-driven or replaced by suitable connectors and electrical valve means governed by the control system of the machine 50, for example in the case of machines that are not provided with the
30 nozzle 57a. In the case of a manually operated distributor, preferentially associated thereto are electrical sensor means (for example, one or more micro-switches) for detecting the position assumed by the distributor. In what follows, it is assumed, merely by way of example, that the distributor can be operated manually and has associated thereto electrical switching means.

35 Figure 13 represents, once again schematically, the control system of the

- 20 -

machine, including a control unit 60 comprising processing means, such as for example a microcontroller 61, and non-volatile memory means 62, in which instructions for operation of the machine are encoded, for example in the form of one or more operating programs.

5 The control unit 60, and especially the microcontroller 61, is provided for controlling the heating means of the machine, here represented by an electrical resistance of the boiler 54, as well as the means for supply of the fluid to be injected into a capsule, here represented by the pump 53, to obtain a plurality of possible operating modes of the machine on the basis of the aforesaid encoded
10 instructions contained in the memory means 62 and on the basis of information acquired from a capsule 30 by way of the sensor 9.

 In the example, the dashed arrows 60a and 60b exemplify the control lines from the unit 60 to the pump 53 and to the boiler 54, respectively. Obviously, the pump and the boiler may also be configured for issuing a feedback
15 signal to the unit, for example via a pressure and/or flow-rate sensor and a temperature sensor, respectively. The dashed arrow 60c exemplifies the control line between the sensor means associated to the distributor 56 and the unit 60 so that the latter knows the operating position imparted manually on the distributor (as has been said, in the case of completely automatic operation, it may be the unit
20 60 that governs positioning of such a distributor or the operating condition of valve means that are provided in place of it). The arrow 60d exemplifies the control line between the switch 12 and the presence sensor 13, whereas the arrow 60e exemplifies the control line between the presence sensor 13 and the optical sensor 9. Finally, the arrow 60f exemplifies the line of communication between
25 the optical sensor 9 and the unit 60.

 As has been said, the scheme provided herein has the sole purpose of highlighting in an intuitive way the functional connection between the various parts of interest, since the circuit arrangement may be variously configured, the functions thereof remaining the same. For instance, the switch 12, the sensor 13,
30 and the sensor 9 could all come under the unit 60, i.e., with the switch 12 that communicates the open condition of the hatch 11 to the unit 60, and the latter that accordingly verifies the state of the sensor 13 and, in the case of detection of a capsule, activates the sensor 9 for the time necessary for image acquisition. In another embodiment, opening of the hatch 11 causes closing of the switch 12
35 (which is normally open), thereby enabling supply of the sensor 13. The latter,

- 21 -

which is for example an opto-electronic component of the type referred to previously, also functions as switch (which is normally open, in the absence of a capsule) and is set in the supply circuit of the sensor 9: detection of a capsule thus enables supply of the sensor 9 for the acquisition time deemed necessary in the design stage.

To return to Figures 4 and 6, the injector 5 has a respective main body 5a, stationary with respect to the casing 2, and here provided with a perforating device, which may be of any known conception. In the example represented, the body 5a has a cavity that houses at least in part the aforesaid perforating device, designated by 5b. This device 5b basically comprises one or more tips – preferably an array of tips – facing the capsule-holder 3 and substantially parallel to the axis A. The tips may have a structure provided with at least an axial opening or an axial groove in order to enable supply of the fluid under pressure within a capsule 30, after perforation of its foil 34. Irrespective of the specific conformation of the body 5a and of the device 5b, the arrangement is such that the fluid under pressure that is supplied by means of the duct 58 to the injector 5 can penetrate into the capsule 30 after perforation of its foil 34.

Once again with reference to the non-limiting example illustrated, the cavity of the body 5a is closed at the front by a closing member 5c, which shares the axis A, and is defined hereinafter for simplicity as “plate”. The plate 5c is provided with holes aligned or substantially coaxial to the tips of the device 5b, and is able to slide towards the inside of the cavity of the body 5a, countering the elastic reaction of a spring (not indicated). The plate 5c may have a substantially disk-shaped body, in particular having the shape of a lobed disk, with a front wall provided with the holes for the aforesaid tips, and rear appendages provided with end teeth engaged in corresponding linear guides defined in the peripheral wall of the body 5a. The outer face of the front wall of the plate 5c is preferentially provided with a gasket, which is also provided with holes for the tips of the perforating device 5b. The plate is preferentially provided at the rear with an annular gasket, designed to constitute a seal with respect to the body 5a.

In the embodiment exemplified, the body of the plate 5c is shaped for defining passages or recesses, one of which is designated by 5d in Figure 4, in axial positions corresponding to those of the coupling members 21 of the capsule-holder 3. At the aforesaid front recesses of the plate 5c, the corresponding front gasket is preferably provided with corresponding slits or windows. The

- 22 -

aforementioned rear appendages of the plate 5a, in addition to preventing the front of the plate itself from sliding out, are preferentially sized and positioned in such a way that the front surface of the plate 5c (or its gasket) is held by a corresponding spring in an advanced position. The dimensions of the plate 5c with the
5 corresponding appendages, of the body 5a with the corresponding cavities and guides, as well as of the tips of the perforating device 5b, are such that, when at rest, the plate 5c is held by the corresponding spring in the aforesaid advanced position (visible, for example, in Figure 4), where each tip engages or is
10 substantially coaxial to a respective hole of the front wall of the plate itself and of the corresponding gasket, but without substantially coming out thereof. As will be seen hereinafter, instead, in a position for carrying out infusion or preparing the liquid product, the thrust on the plate 5c exerted by means of a capsule 30 causes the perforating device 5b to assume an operative or extracted condition, where its
15 tips project from the holes of the plate 5c, following upon recession of the latter towards the inside of the cavity of the body 5a, countering the elastic reaction of the corresponding spring. As has been mentioned, in any case, the injector 50 may be provided with a perforating device of some other type, and not necessarily provided with tips, there possibly being sufficient also reliefs designed to bring
20 about tearing of the wall or foil 34 of the capsule 30.

20 An example of overall operation of a machine according to the invention will now be described with reference to Figures 4, 6 and 14-18, in which the same reference numbers as those adopted in the previous figures are used to designate elements technically equivalent to the ones described above. It should moreover be noted that, for greater clarity of illustration, in some of the figures the
25 representation and/or indication of certain details that are not indispensable for an understanding of the invention has been omitted.

Figures 4 and 6 illustrate, in various cross sections, the assembly 1 with the capsule-holder 3 in a retracted position; Figures 14-15 are cross sections similar to those of Figures 4 and 6, but with the capsule-holder 3 advancing;
30 Figures 16-17 are similar to Figures 4 and 6 and 14-15, respectively, but with the capsule-holder 3 and the injector in the position for carrying out infusion where they are set close up to one another; Figure 18 is similar to Figures 4, 14 and 16, with the capsule-holder 3 at the end of a travel of recession thereof (i.e., in a condition substantially corresponding to that of Figure 4).

35 As has already been seen, the assembly 1 has a loading arrangement,

- 23 -

aimed at enabling guided insertion, from above, of a capsule 30, in a direction that is generally transverse to the direction of relative displacement of the two parts 3, 5 of the infusion chamber. The aforesaid loading arrangement includes the upper entry passage 6, which opens substantially in an intermediate area between the capsule-holder 3 and the injector 5. The passage 6 and the guide 7 are shaped and have dimensions such as to enable introduction of a capsule 30 in a substantially vertical loading direction, here transverse to the axis A, with an orientation such that the foil 34 of the capsule 30 faces the injector 5, i.e., the sensor 9. On the opposite side with respect to the guide 7 the casing 2 has a lower exit passage 2a, for unloading the spent capsule 30 from the assembly 1. As has already been explained, the passage 6 and the guide 7 are shaped and have dimensions such as to guide with relative precision a capsule 30 towards two retaining areas, which are set downstream of one another, here identified by the jaws 14; the exit passage 2a preferably has dimensions larger than the entry passage in order to enable the capsule 30 to drop freely by gravity out of the casing 2.

In the loading step, with the actuation system 22 in the initial position (Figures 4 and 6), the capsule-holder 3 is in the respective retracted loading position, i.e., set at a distance from the injector 5.

After manual opening of the hatch 11 a capsule 30 can be introduced into the guide 7. The capsule 30 is inserted into the guide with its flange 32c set generally vertical that engages the opposed cavities 7a of the guide 7. The capsule proceeds by gravity until it encounters the first retaining means 15 (Figures 7-10) defined by the opposed jaws 14, which arrest the movement thereof in the direction established by the guide 7; in the case exemplified, in the position of retention determined by the elements 15, the capsule 30 is in any case still within the guide 7 (see also Figure 1).

Switching of the switch 12 caused by opening of the hatch 11 activates the sensor 13, which detects the presence of the capsule 30 in the intermediate position of retention (Figure 4), thereby enabling the step of acquisition of the graphic code present on the foil 34 via the optical sensor 9. The control unit 60 then acquires information regarding the type of capsule introduced and/or the optimal parameters of preparation of the liquid product, which here are assumed as being the temperature of the water to be injected and at least one of the pressure and the amount of water to be injected. The unit 60 controls the boiler 54 to obtain the aforesaid optimal temperature for the infusion water.

- 24 -

A thrust must be applied to the capsule 30 in the direction of movement determined by the guide 7 in order to switch the first retaining elements 15 from the respective intermediate retention condition to a respective condition of release. The thrust exerted on the capsule 30 determines a slight divarication of the jaws 5 14, such as to free the capsule 30 from the elements 15 and enable prosecution of its displacement by gravity as far as the loading position, determined by the second retaining elements 16 (Figures 7-9). The thrust may be imparted on the capsule 30 manually, for example using a finger, or else, more conveniently, the hatch 11 may have a lower appendage designed to project within the passage 8 of 10 the guide 7 in such a way that – upon closing of the hatch 11 – the aforesaid appendage exerts on the capsule the thrust downwards necessary to cause release thereof from the retaining elements 15.

In its loading position, the capsule 30 is kept by the second retaining elements 16 of the jaws 14 substantially coaxial to the capsule-holder 3 and to the 15 injector 5, between these two parts of the infusion chamber that are still in the spaced-apart position (see, as regards the position of the capsule, Figures 14-15). In this condition, the foil 34 of the capsule faces the front surface of the plate 5c of the injector 5, i.e., its front gasket, at a short distance therefrom.

The operating cycle of the machine then envisages actuation of the 20 actuation system 22, which determines progressive advance of the capsule-holder 3 towards the injector 5. At a certain point of advance towards the injector 5, the capsule-holder 3 comes into contact with the jaws 14: as has been said, the front edge of the capsule-holder 3 or some other purposely provided elements of its body 4 may present an inclined plane that is able to interact with a homologous 25 inclined or lead-in plane 14d of the jaws 14: it should be noted that in this step – as exemplified in Figures 14-15 – the capsule 30 is already partially introduced into the capsule-holder 3. In the sequel of the movement according to the axis A, then, there is brought about progressive divarication or opening of the jaws 14 and progressive entry of the capsule 30 into the housing 4a of the capsule-holder 3. 30 The capsule 30, since it is already partially received in the housing 4a and given the advanced condition of the plate 5c of the injector, cannot drop down and is taken up by the capsule-holder. More the particular, following upon the interference described above with the body 4 of the capsule-holder 3 and the subsequent further advance of the latter, the jaws 14 reach and maintain a 35 condition of maximum opening, as may be seen, for example, in Figure 17, where

- 25 -

the flange of the capsule 30 is no longer engaged in the grooves 14a of the jaws 14 (i.e., in the retaining elements 16 of Figure 7). The front edge of the capsule-holder 3 comes into contact with the flange of the capsule 30 so as to push it forcedly against the plate 5c of the injector 5, with the capsule 30 that cannot
5 penetrate further into the housing defined by the body of the capsule-holder, as may be seen precisely in Figures 16 and 17.

Simultaneously with the steps described above, during advance of the capsule-holder 3, the front ends of the coupling members 21 – and in particular the inclined plane of the corresponding front teeth – come at a certain point into
10 contact with the annular flange of the capsule 30. It should be noted that the position and dimensions of the elements involved (capsule 30, capsule-holder 3, engagement members 21) are such that – at the moment of contact between the engagement members 21 and the flange of the capsule, the latter is already introduced for the most part into the housing 4a. It should likewise be noted that
15 in these steps the conicity of the capsule 30 and of the housing 4a determine a sort of self-centring of the capsule itself with respect to the housing 4a and to the injector 5. As the capsule-holder 3 continues to advance, and after it has completely passed beyond the edge of the flange of the capsule 30, the front teeth of the engagement members 21 penetrate into the recesses 5d of the plate 5c, as
20 far as the final end-of-travel position of the capsule-holder 3, visible in Figure 16, where the front of the capsule 30 is set up against the front gasket of the plate 5c, by means of the front edge of the capsule-holder 3.

In various embodiments it may be envisaged that, when the condition represented in Figures 16-17 is reached, the peripheral region of the bottom wall
25 of the capsule 30 bears upon a peripheral region of the wall of the perforating device 19 not provided with tips (for example, in the case of the bottom wall with concavity as represented in Figure 12) so that the bottom of the capsule is not initially perforated. In other embodiments, it is possible to envisage that the bottom wall of the capsule has been set up against the tips of the perforating
30 device 19 without this determining a substantial perforation or tearing of the bottom, or again that the bottom comes to occupy a position at a short distance from the aforesaid tips: this can be obtained by appropriately sizing the housing 4a, and in particular the height of its front edge bearing upon which is the flange of the capsule 30. In other embodiments it may once again be envisaged that,
35 when the position of arrest of the capsule 30 within the capsule-holder 3 is

- 26 -

reached, the bottom of the former has already been perforated by the tips of the perforating device 19. As has been said, moreover, in the case of an assembly 30 for pre-perforated capsules, it is not necessary to provide the perforating device 19.

5 Irrespective of the practical implementation chosen, as has been said, at a certain point of advance, the capsule 30 is unable to penetrate any further into the capsule-holder 3. The capsule-holder 3 continues in any case to advance, and this brings about yielding of the spring inside the injector 5, and thus recession of the plate 5c that is bearing upon the foil of the capsule 30. The above recession, and
10 the simultaneous advance of the capsule-holder 3, has, as consequence, that the tips of the perforating device 5b of the injector 5 exit from the corresponding holes of the plate 5c and perforate the foil of the capsule, as far as the position of maximum advance of the capsule-holder 3, visible in Figures 16-17.

As the capsule-holder advances from the position of Figure 4 to that of
15 Figure 16, the rear end of the stem 20 is pushed by the corresponding spring 20b against the cam surface defined by the member 23, fixed in rotation with respect to the shaft 22a. This cam surface is parameterized in such a way that, in any case, corresponding to advance of the capsule-holder 3 is a progressive recession of the leading end of the stem 20 within the housing 4a. The position of maximum
20 recession of the stem 20 is precisely visible in Figures 16-17. Conveniently, the sealing ring at the leading end of the stem 20 co-operates with the bottom wall of the body 4 in order to prevent passage of liquid towards the inside of the passage in which the stem 20 slides.

In the case of a machine 50 with an automatically operated motor-driven
25 mechanism 22, reaching of the end-of-travel position forwards (Figures 16) can be detected via a suitable sensor means (not represented), for example a micro-switch, which informs the control unit 60 accordingly. The latter thus activates the pump 53 in order to supply to the injector 5 – via the duct 58 of Figure 8 – hot water at the pressure and/or in the amount defined on the basis of the
30 corresponding information acquired thanks to the sensor 9. In the case of machines with mechanism 22 operated via the lever 22b, activation of the pump 53 can be governed directly by the user, by pressing a push-button.

The hot water under pressure is thus forced into the capsule 30, by means
of the tips of the perforating device 5b of the injector 5, to obtain the infusion with
35 the ground product (for example, coffee) contained in the capsule 30. In this step,

- 27 -

the front gasket of the plate 5c improves the fluid tightness in regard to the sealing foil of the capsule 30, during introduction into the latter of water under pressure. In the case where the bottom of the capsule 30 had already been previously perforated by the tips of the perforating device 19, the liquid product generated by the infusion can flow out through the duct 18. In other embodiments – and as has already been mentioned above – it may be envisaged, instead, that, at start of injection of hot water under pressure into the capsule 30, the bottom of the latter has not yet been perforated. In these embodiments, at a certain point subsequent to start of injection of hot water, the pressure that is set up within the capsule 30 causes its bottom to start to undergo deformation and be pushed against the tips or reliefs of the perforating device 19, until perforation or tearing is obtained, which enables outflow of the liquid product towards the duct 18. As has been said, on the other hand, at least one of the perforating devices 19 and 5b may not be present, in the case of pre-perforated capsules.

The unit 60 then deactivates the pump 53, when the amount and/or pressure of the fluid delivered correspond to those deduced on the basis of the graphic code associated to the capsule 30. At the end of delivery of the liquid product, the actuation system 22 can be driven in a direction opposite to the previous one to bring the capsule-holder 3 back into the initial position of Figures 4 and 6. With recession of the capsule-holder 3 there is obtained a sliding of its body 4 with respect to the jaws 14 opposite to the one described previously and a recession of the coupling members 21. Shortly after start of the recession, then, the front teeth of the coupling members 21 come back into contact with the front part of the flange of the capsule 30 (i.e., its part covered by the foil 34). Following upon the aforesaid engagement, then, and while the capsule-holder 3 continues its recession, the foil of the capsule is “slid out” of the tips of the perforating device 5b of the injector 5 – when the aforesaid device is present – or in any case progressively retracted with respect to the body 5a of the injector 5, accompanied in this process by the plate 5c, thanks to the action of the corresponding spring. Even if the capsule 30 had remained stuck at the bottom, with interference, in the capsule-holder 3, recession of the latter would cause progressive separation of the capsule from the injector. In this step, the jaws 14 are in any case still kept in a divaricated condition by the body of the capsule-holder 3, i.e., by the corresponding elements responsible for this: in this way, the flange of the spent capsule cannot be withheld by the jaws 14. In practice, then, the arrangement is

- 28 -

such that – when, upon ceasing of the action of divarication operated by the body 4, the jaws 14 re-close – the jaws themselves have already been overtaken in the movement of recession by the flange of the capsule 30.

Also in the course of recession of the capsule-holder 3, the rear end of the stem 20 is kept by the corresponding spring 20b in contact with the cam surface defined by the member 23, with a sliding opposite to the previous one: in this way, in the prosecution of the recession, the leading end of the stem 20 presses on the bottom of the capsule 30, pushing it out of the housing 4a, thereby bringing about also extraction of the tips of the perforating device 19 from the bottom of the spent capsule, when the aforesaid perforating device is present. The thrust exerted in this way by the stem 20 on the bottom of the capsule 30 is such as to overcome in any case also any possible mechanical interference between the body of the capsule and the internal surface of the housing 4a. In the course of recession of the capsule-holder 3 (and hence of controlled advance therein of the capsule, thanks to the action of the stem 20) the flange of the capsule is pressed against the front teeth of the coupling members 21, until it causes divarication of the latter, which can then be re-closed after the flange has passed beyond the aforesaid teeth in its advance. When the flange of the capsule is no longer withheld by the members 21, the spent cartridge can reach a position resembling the one visible in Figure 18, where the cartridge itself is set in a position suitable to drop towards the underlying exit passage 2b. The assembly 1 then returns to the initial condition of Figures 4 and 6, ready for receiving a new capsule 30.

As has been seen, the machine according to the invention preferably has a control system that includes processing means 61, non-volatile-memory means 62, and an optical sensor device 9 designed for acquisition of an image of at least one portion of at least one of the end walls of the body of the capsule 30, here the wall represented by the sealing foil 34, associated to which is graphic information representing the type of capsule, and the processing means 61 are provided for controlling at least the heating means 54 and the supply means 53 to obtain a plurality of possible operating modes of the machine on the basis of encoded instructions contained in the memory means 62 and on the basis of information acquired from the capsule.

Previously, reference has been made to use for this purpose of a two-dimensional barcode, which enables encoding of a set of brewing information of the liquid product. Consequently, in this application, the sets of information that

- 29 -

an operating program must use – for example, the temperature, the amount and/or pressure of the infusion water – is “carried” by the capsule itself. The brewing information may include values of preparation parameters (for example, a value of temperature of the liquid) and/or information representing preparation parameters:
5 with reference to this latter case, considering for example a volume or a pressure of liquid to be injected into the capsule, the corresponding brewing information may include – instead of the value of the aforesaid volume or pressure – information of control of the pump aimed at obtaining that given volume or that given pressure, such as for example the time of activation of the pump or the
10 number of pulses of the pump necessary to obtain that given volume or pressure.

According to a possible variant embodiment of the invention, the encoded instructions contained in the non-volatile-memory means 62 already comprise these sets of brewing information, which are differentiated according to the type of capsule 30. In other words, sets of brewing information – which each
15 include information on the temperature and information on at least one of the pressure and the amount of fluid to be injected – are not read each time from the capsule inserted into the machine, but are pre-stored in its control system.

In such an embodiment, the processing means 61 are provided for comparing an image acquired via the optical sensor 9 with a series of reference
20 images, encoded in the memory means 62, and for associating accordingly one of the aforesaid sets of brewing information to a corresponding type of capsule in order to start off in an automatic way an operating mode of the machine from among the plurality of possible operating modes, each distinguished by a set of brewing information of its own.

In other words, according to the above approach, all the information that the control unit requires for the purposes of optimal preparation of the liquid product of a given capsule are already contained in the memory means of the machine, and the control logic merely has to recognize the type of capsule introduced into machine. On the basis of the embodiment proposed, the type of
30 capsule is recognized by acquiring an image of its sealing foil (but it could also be an image of the bottom wall of the capsule), which is then compared with reference images contained in the memory means.

For instance, a first database encoded in the memory means 62 contains digitalized images of a plurality of different capsules, also capsules of different
35 manufacturers and/or different types of capsule for each manufacturer. A second

- 30 -

database encoded in the memory means 62 contains a plurality of sets of information on optimal preparation, each of which is associated to the images of a respective encoded capsule, for example the capsule of each manufacturer, or each of the capsules of one manufacturer, if this manufacturer puts different types of capsules on the market.

5 The image of a portion of the sealing foil 34 of a capsule acquired via the optical sensor 9 is compared with those contained in the first database, using image-comparison techniques in themselves known. Preferentially, the first database contains a plurality of reference images for each type of capsule, in each of which a substantial portion of the sealing foil of that capsule has a different angular position: in this way, recognition of the capsule is totally independent of the angular position assumed by the foil 34 of a capsule 30 with respect to the sensor 9, after the aforesaid capsule has been inserted into the dispensing assembly 1 through the guide 7.

15 Alternatively, it is also possible to encode in the first database a single reference image for each type of capsule, with a given angular position, and to program the processing means 61 so that they perform a rotation of the image acquired via the sensor 9, for the purposes of comparison with the reference one. Such a variant presupposes a greater processing capacity of the processing means 20 61, with a lengthening of the recognition times.

The type of recognition proposed can be executed perfectly with relatively low reading resolutions by the optical sensor 9 so that also the reference images may be at low resolution, with consequent contained dimensions in terms of number of bits and hence a relatively modest capacity of the memory means 25 62. For the same reason the sensor device 9 may be a commercially available video camera or photographic camera of a CCD or CMOS type, with low resolution and very contained cost.

The solution proposed is based upon recognition of the fact that different capsules, even capsules of various manufacturers, carry on the respective sealing foils different graphic symbols such as to enable easy reading by an optical image-acquisition sensor with a relatively low resolution. Given the differences between the different capsules, the image analysis may even be limited to just a portion of the foil 34, which will be preferentially a central portion, inscribed in a circular area concentric with respect to the foil of the capsule.

35 This enables also recognition of the various types of capsule marketed by

- 31 -

one and the same manufacturer given that, in practically all cases, the sealing foils of two types of capsules of a different manufacturer present in any case some elements of differentiation. For instance, the foil of the capsule “X” of the manufacturer “Y” will carry the name or trademark of the manufacturer and the name or a logo assigned to the specific liquid product associated to the capsule
5 “Y” (for example, ristretto); the capsule “Z” of the same manufacturer “Y” will carry, in addition to the same name or trademark, the name or the logo assigned to the different liquid product associated to the capsule “Z” (for example, lungo). Consequently, in this perspective, the graphic information associated to the
10 sealing foil 34 of a capsule 30 may comprise a proprietary graphic sign of the manufacturer of the capsule, such as a distinctive sign, and at least one auxiliary graphic element, identifying the liquid foodstuff product corresponding to that type of capsule of that particular manufacturer.

In the case of the implementation proposed, in which the sets of brewing
15 information are already stored in the control system of the machine, the encoded instructions contained in the memory means 62 may comprise a single operating program, which can be modified via the sets of brewing information associated each time to reading of the image of a capsule 30 to obtain the plurality of operating modes of the machine 50. Alternatively, even though this presupposes a
20 greater capacity of the memory means 62, there may be stored a plurality of different operating programs corresponding to different possible operating modes of the machine, where each of these programs is distinguished by the set of brewing information of a corresponding type of capsule.

Obviously, it is possible that capsules of a new type are introduced on the
25 market, the images and sets of brewing information of which are not (yet) encoded in the memory means 62 of the machine 50. For such a case, in a preferred embodiment, the sets of brewing information or the corresponding programs encoded in the memory means comprise at least one predetermined set of information or one predetermined program, to which there corresponds a
30 predetermined operating mode of the machine, for example distinguished by average or safety values of temperature and amount and/or pressure. In this embodiment, the processing means 61 of the control unit are provided for starting off this predetermined operating mode in the case where the image acquired via the optical sensor device 9 is not congruent with any of the reference images
35 encoded in the nonvolatile-memory means 62. By so doing, operation of the

machine can be in any case guaranteed, even for capsules of a type not encoded in the control system, thus obtaining a liquid product of an acceptable quality.

Preferentially, the machine 50 is provided with means for updating and/or modifying at least one between the instructions and the reference images encoded in the non-volatile-memory means.

In one embodiment, the machine 50 is provided with a communication device, designated as a whole by 63 in Figure 10, for example represented by a communication port of the control unit 60. Via such a port (for example, a USB port) the software of the machine, for example the aforesaid databases, can be updated, via entry of sets of information or programs for preparation for new commercially available capsules and of the corresponding reference images, obviously in an encoded form. The communication device 63 used for updating the software of the machine 50 may also include a modem or the like, for interconnection of the control system to a communication network (for example, a telephone network or the Internet) for receiving the updating data, or again a wireless transceiver, for example of a Wi-Fi or Bluetooth™ type. In the latter case, for example, via a personal device of its own, such as a personal computer or a Smart Phone, the owner of a machine according to the invention can download from a dedicated website the updating software and then carry out the corresponding upload into the control unit 60, with the aid of a suitable utility made available by the manufacturer of the machine.

In one embodiment, the means for updating and/or modifying at least one between the instructions and the reference images encoded in the non-volatile-memory means 62 may include the optical sensor 9 itself. For such a case, for example, it is possible to envisage for the control unit 60 a programming mode, which can be activated via at least one dedicated key or else by pressing – according to a specific combination and/or sequence – one or more control keys provided in any case on the machine for other functions. For instance, in one embodiment, the machine may be provided with a display 64 and a small keypad, which constitutes a communication device. By pressing a key, the programming mode is activated, which is to be followed by introduction into the machine of the capsule of a new type, according to the modalities described previously. After introduction of the capsule and acquisition of the corresponding image, the unit 60 sets itself in a step where it waits for preparation parameters regarding that particular capsule, which parameters may be made available by the manufacturer

- 33 -

of the capsule, for example through its website or directly on the package of the capsules. The sequence of entry of the parameters (for example, temperature, pressure, and amount of the water) is determined by the unit 60, by issuing a command for showing on the display 64 the corresponding requests. In a possible
5 embodiment, appearing on the display 64 is the request for the first parameter – for example starting from a basic value (e.g., temperature = 80°C) that the user can modify either increasing it or reducing it by pressing the keys “+” and “-” provided for the purpose until the value recommended for the parameter is reached – which is then confirmed by pressing the purposely provided key; the
10 unit 60 then issues a command for display of the request regarding the second parameter, for example the pressure, and so forth for all the other parameters requested. At the end of entry, there can be highlighted on the display a request for storage of the parameters associated to the image acquired, which will then be done by the unit 60 after the confirmation key has been pressed. In such a variant,
15 the control unit 60 can itself be provided for generating the necessary series of reference images differentiated from one another in terms of angular positioning, starting from the image acquired via the sensor 9.

Another possible solution is to provide a programming device having a respective body that can be inserted into the dispensing assembly 1 of the machine
20 50, in particular a body substantially similar to that of a capsule 30. In such an embodiment “programming capsules” are basically provided, which do not necessarily contain the ingredients of a liquid product, but have the main function of carrying the data for updating the machine 50 for a given type of capsules. For instance, the control system of the machine 50 may include a reader of RFID tags,
25 designated in Figure 10 by 65, and the aforesaid programming capsules – one of which is designated by 30’ once again in Figure 10 – include an RFID tag 30a that can be read by the reader 65, in which the program and/or the optimal brewing information of the liquid product referred to in the aforesaid type of capsules are/is encoded. The programming capsule 30’ then has a respective foil 34 bearing
30 the graphic symbols characteristic of the type of capsules in question. In such an implementation, after start of a programming step (for example, by pressing a key or a sequence/combo of keys), the control system goes into a waiting step. The programming capsule 30’ is inserted into the assembly 1, and the control unit 60 acquires the image of its foil 34 or of a substantial portion thereof, used to
35 encode the image or the reference images to be stored in the memory means. In

- 34 -

the memory means, associated to this image or set of images is the program or the optimal brewing information, which is acquired by the reader 65 directly from the tag 30a associated to the programming capsule 30'.

It will be appreciated that, thanks to the solution proposed, the machine
5 50 is in a condition to operate automatically in an operating mode deemed optimal with different capsules, even with capsules of different manufacturers, including different capsules of one and the same manufacturer, this further favouring the range of choice of the end consumer, who, with complete satisfaction, will be able to use on his own machine capsules of different origin. In this way, the limits of
10 known machines provided with systems for automatic recognition of capsules, which are proposed by certain manufacturers in order to impose a "forced loyalty" on the consumer, are overcome. With the system proposed, in fact, the machine is also able to use capsules of different manufacturers bearing graphic codes different from one another.

15 The various manufacturers will be induced to propose kits comprising a plurality of types of capsules, to each of which there will correspond a respective liquid food product, but without any need to provide on the capsules complex and unsightly graphic codes. As has been explained, in fact, the machine according to the proposed variant embodiment enables exploitation, as graphic code, simplified
20 symbols that are, however, necessary and useful for the manufacturers, which are not based upon binary encoding. For instance, these simplified symbols may comprise a proprietary distinctive sign of the manufacturer of the capsule – such as the name or trademark, which will be in common with the capsules of the manufacturer's kit – and at least one auxiliary graphic element, identifying the
25 liquid foodstuff product corresponding to the type of capsule of the kit.

The auxiliary graphic element may be an alphabetic and/or numeric and/or abstract graphic sign that is additional to the proprietary distinctive sign, or else may be a graphic element of differentiation of the proprietary distinctive sign itself. Figure 19 illustrates, merely by way of example, some of the ample
30 possibilities of differentiation of characters (whether they be alphabetic and/or numeric and/or abstract) of a distinctive sign, which here is assumed to be represented by a hypothetical trademark "*Coffee*".

For instance, the parts A, B, C and D of Figure 19 exemplify how the element of differentiation between a number of capsules of one and the same
35 manufacturer can be constituted by a size (part A) of one or more characters of the

- 35 -

distinctive sign, a horizontal spacing (part B) between two or more characters of the distinctive sign, the font and/or contour (part C) of one or more characters of the distinctive sign, and the colour (part D) of one or more characters of the distinctive sign. The part E exemplifies the case of differentiation in the
5 background of the distinctive sign (one or more colours or textures), whereas the parts F and G exemplify any differentiation via one or more additional graphic elements with respect to the distinctive sign. One and the same additional element can be variously positioned with respect to the main sign (as in the case of part F), or else additional differentiated elements (part G) may be provided, possibly
10 devised to function also as elements of orientation aimed at facilitating the comparison of the image acquired via the sensor 9 with the reference images stored.

Obviously, the possibilities of differentiation are innumerable, including the filling-in of at least one alphabetic and/or numeric and/or abstract character
15 and/or of a background of the proprietary graphic sign, as well as the vertical or interlinear spacing between characters.

From the foregoing description, the characteristics of the present invention emerge clearly, as likewise its advantages. It is evident that numerous variants may be made by the person skilled in the branch to the machine, the
20 system, and the method described by way of example, without thereby departing from the scope of the invention as defined by the ensuing claims.

In a possible embodiment, the machine according to the invention is provided for operating automatically in an operating mode deemed safe only for the types of capsules for which it has been designed or that can be recognized by
25 its control logic. Otherwise, the machine may activate an operating mode that renders dispensing from a non-recognizable capsule safe – such as an operating mode being based upon the predetermined set of information or upon the predetermined program referred to previously – or else deactivate its operation altogether. In this way, the end user will be sure that he can use the machine in the
30 conditions of safety guaranteed by the manufacturer. For a better understanding of this aspect, consider, for example, that commercially available capsules may have structures different from one another, in terms of the type of materials used, such as the plastic material constituting the capsule body. For instance, in the case of a capsule with an excessively thin plastic body, it may happen that injection of
35 liquid at a high temperature brings about a significant deformation or failure of

- 36 -

the structure of the capsule such as to cause damage to the machine, with consequent risks for the user. The solution of envisaging an operating mode deemed safe for the recognizable types of capsules thus enables considerable benefits to be achieved also in the perspective of safety for the end user.

5

CLAIMS

1. A machine for preparation of liquid food products using capsules that have a substantially cup-shaped body with two generally opposite end walls and an outwardly extending flange at one of said opposite end walls, the cup-shaped body housing a dose of at least one substance that can form a liquid food product using a fluid, comprising water and/or steam, the machine comprising:

- a housing;

- a dispensing assembly having a first part and a second part designed to define an infusion chamber, at least the first part defining a seat configured for receiving at least partially one said capsule, wherein one of the first part and the second part of the infusion chamber is configured for injection of the fluid into the capsule and the other one of the first part and the second part is configured for delivery of the liquid food product from the infusion chamber;

- a loading arrangement including an insertion guide that has an upper end and a lower end, and comprises two opposite guiding cavities between which said flange of the capsule is receivable and able to slide, the two opposite guiding cavities defining at least part of a displacement path of the capsule into the housing and being configured for enabling insertion therein of the capsule with a predefined substantially vertical orientation of said flange, the two opposite guiding cavities being also configured for determining a direction of movement of the capsule towards a loading position thereof, in which position the capsule is arranged substantially coaxial to at least one of the first part and the second part;

- an actuation system, operable to cause relative movements of the first part and the second part between a spaced-apart position, in which the capsule can reach the loading position, and a close position, in which the first part and the second part define between them the infusion chamber for enabling injection of the fluid into the capsule; and

- a control system, including a controller, a non-volatile memory, and an optical sensor device mounted into the housing for acquiring characteristic information associated to one of said end walls of the body of the capsule, wherein the controller is prearranged for controlling an operating mode of the machine from among a plurality of possible operating modes on the basis of encoded instructions contained in the non-volatile memory and of said characteristic information that can be acquired via the optical sensor device;

wherein:

- the actuation system is prearranged in such a way that the relative movements between the first part and the second part of the infusion chamber between the spaced-apart position and the close position take place in a direction generally transverse to the direction of movement of the capsule as determined by the insertion guide;

- the optical sensor device is mounted into the housing laterally to the insertion

guide, at an intermediate region of said opposite guiding cavities that between said upper and lower ends of the insertion guide and is upstream of the loading position, with a detection active-part of the optical sensor device which is directed in said direction generally transverse to the direction of movement of the capsule into the housing as determined by the insertion guide and such that said end wall of the body of the capsule at least temporarily faces the detection active-part in the course of displacement of the capsule towards the loading position thereof; and

- the loading arrangement comprises a first retaining arrangement, which is operatively set along the displacement path, to stop sliding of said flange of the capsule within said opposite guiding cavities and thereby define an intermediate retention position of the capsule at said intermediate region into the housing, in such a way that the control system is able to acquire said characteristic information via of the optical sensor device when the capsule is in said intermediate retention position, in the intermediate retention position the flange of the capsule being vertically spaced apart from the first part and the second part of the infusion chamber;

wherein the first retaining arrangement is switchable from a condition of retention to a condition of release of said flange of the capsule by applying to the capsule a force of thrust in said direction of movement, such that the capsule is enabled to further proceed sliding within the housing along said opposite guiding cavities to reach said loading position in which the capsule is arranged substantially coaxial to at least one of the first part and the second part.

2. The machine according to Claim 1, wherein provided upstream of the upper end of the insertion guide is a displaceable hatch mounted angularly movable about a rotation axis between a lowered position and a raised position, in which access to the insertion guide is prevented or allowed, respectively, there being operatively associated to the displaceable hatch a detector switchable between a first condition and a second condition, corresponding to the lowered position and to the raised position of the hatch, respectively, and wherein the control system is prearranged for starting a step of detection of the characteristic information following upon at least one switching of the detector between the first condition and the second condition.

3. The machine according to Claim 1, wherein the control system comprises a further sensor device mounted laterally to the insertion guide, at a position of said opposite guiding cavities that is comprised between the upper end of the insertion guide and said intermediate region of said opposite guiding cavities, the further sensor device being configured for detecting presence of the capsule after it has been introduced into the housing via the insertion guide, and consequently enabling a step of detection of said characteristic information by means of the optical sensor device.

4. The machine according to Claim 1, wherein the loading arrangement further

comprises a second retaining arrangement, operatively set along the displacement path downstream of the first retaining arrangement and designed to stop sliding of said flange of the capsule within said opposite guiding cavities at said loading position, the dispensing assembly being configured in such a way that, in said loading position, the capsule is substantially coaxial to the first part and to the second part of the infusion chamber.

5. The machine according to Claim 4, wherein the second retaining arrangement is switchable from a respective condition of retention, corresponding to which is said loading position, to a respective second condition of release of said flange of the capsule, following upon relative displacements between the first part and the second part of the infusion chamber.

6. The machine according to Claim 4, wherein the first retaining arrangement and the second retaining arrangement are part of one and the same retention device, which defines said intermediate retention position and said loading position of the capsule.

7. The machine according to Claim 6, wherein the retention device comprises two substantially jaw-shaped members, mounted so that they can oscillate about respective axes generally transverse to the direction of the relative movements of the first part and the second part between the spaced-apart position and the close position.

8. The machine according to Claim 1, wherein the optical sensor device is mounted into the housing outside of the dispensing assembly.

9. The machine according to Claim 1, wherein the dispensing assembly comprises an ejector member, designed to push the capsule outside of the seat of the first part of the infusion chamber in dependence of a relative displacement between the first part and the second part of the infusion chamber from their close position to their spaced-apart position.

10. The machine according to Claim 9, wherein the ejector member comprises a longitudinally extended ejector member that is movable relative to the first part of the infusion chamber.

11. The machine according to Claim 1, wherein the first part of the infusion chamber has a leading edge and coupling elements which frontally project beyond said leading edge, the coupling elements being designed to assume a condition of engagement and a condition of disengagement with respect to said flange of the capsule in the course of a relative displacement between the first part and the second part of the infusion chamber towards the corresponding close position and spaced-apart position, respectively.

12. The machine according to Claim 11,

wherein the dispensing assembly comprises an ejector member, designed to push the capsule outside the seat of the first part of the infusion chamber in dependence of a relative displacement between the first part and the second part of the infusion chamber from their close position to their spaced-apart position; and

wherein the coupling elements can be switched from the condition of engagement to

the condition of disengagement with respect to said flange of the capsule when the capsule is pushed towards the outside of the seat of the first part of the infusion chamber by the ejector member, in the condition of disengagement the capsule being free to drop towards an exit passage of the dispensing assembly.

13. The machine according to Claim 1, wherein the insertion guide comprises a body including at least one axially extended portion having a substantially tubular configuration, said axially extended portion defining at least one corresponding portion of each of said opposite guiding cavities.

14. The machine according to Claim 13, wherein said axially extended portion of said body of the insertion guide has an top end, a bottom end and at least one discontinuity between said top end and said bottom end, the active part of the optical sensor device being positioned at said discontinuity.

15. The machine according to Claim 1, wherein the optical sensor device comprises a video camera or a photographic camera designed for acquiring an image of at least one portion of said end wall of the body of the capsule and wherein the controller is prearranged for comparing said image with a plurality of reference images contained in the non-volatile memory.

16. The machine according to Claim 7, wherein each of said substantially jaw-shaped members defines a corresponding portion of one of said opposite guiding cavities.

17. A system for preparation of liquid food products, comprising:

- a machine according to any one of Claims 1-16; and

- at least one capsule containing a dose of at least one substance capable of forming a liquid food product using a fluid, comprising water and/or steam, the capsule having a capsule body that comprises a side wall, a bottom wall that closes the capsule body at a first end of the side wall, a top wall that closes the capsule body at a second end of the side wall opposite to the first end, and an outwardly extending flange at one of said bottom wall and top wall,

wherein characteristic information is associated to one of the bottom wall and the top wall.

18. A machine for preparation of liquid food products using capsules that have a substantially cup-shaped body with two generally opposite end walls and an outwardly extending flange at one of said opposite end walls, the cup-shaped body housing a dose of at least one substance that can form a liquid food product using a fluid, comprising water and/or steam, the machine comprising:

- a housing;

- a dispensing assembly mounted into the housing, the dispensing assembly having a first part and a second part designed to define an infusion chamber, at least the first part defining a seat configured for receiving at least partially one said capsule, wherein one of the

first part and the second part of the infusion chamber is configured for injection of the fluid into the capsule and the other one of the first part and the second part is configured for delivery of the liquid food product from the infusion chamber;

- a loading arrangement including an insertion guide that has an upper end and a lower end, and comprises two opposite guiding cavities between which said flange of the capsule is receivable and able to slide, the two opposite guiding cavities defining at least part of a displacement path of the capsule into the housing and being configured for enabling insertion therein of the capsule with a predefined substantially vertical orientation of said flange, the two opposite guiding cavities being also configured for determining a direction of movement of the capsule into the housing at least up to a loading position thereof, in which position the capsule is arranged substantially coaxial to at least one of the first part and the second part;

- an actuation system, operable to cause relative movements of the first part and the second part between a spaced-apart position, in which the capsule can reach the loading position, and a close position, in which the first part and the second part define between them the infusion chamber for enabling injection of the fluid into the capsule; and

- a control system, including a controller, a non-volatile memory, and an optical sensor device mounted into the housing for acquiring characteristic information associated to one of said end walls of the body of one said capsule, wherein the controller is prearranged for controlling an operating mode of the machine from among a plurality of possible operating modes on the basis of encoded instructions contained in the non-volatile memory and of said characteristic information that can be acquired via of the optical sensor device;

wherein:

- the actuation system is prearranged in such a way that the relative movements between the first part and the second part of the infusion chamber between the spaced-apart position and the close position take place in a direction generally transverse to the direction of movement of the capsule as determined by the insertion guide;

- the optical sensor device is mounted into the housing laterally to the insertion guide, at an intermediate region of said opposite guiding cavities that is between said upper and lower ends of the insertion guide and upstream of the loading position, with a detection active-part of the optical sensor device which is directed in said direction generally transverse to the direction of movement of the capsule into the housing as determined by the insertion guide and such that said end wall of the body of the capsule at least temporarily faces the detection active-part in the course of displacement of the capsule into the housing towards the loading position thereof; and

- the loading arrangement comprises a first retaining arrangement, which is operatively set along the displacement path, to stop sliding of said flange of the capsule within said opposite guiding cavities and thereby define an intermediate retention position of

the capsule at said intermediate region into the housing, in such a way that the control system is able to acquire said characteristic information via of the optical sensor device when the capsule is in said intermediate retention position, in the intermediate retention position the flange of the capsule being vertically spaced apart from the first part and the second part of the infusion chamber,

wherein the first retaining arrangement is switchable from a condition of retention to a condition of release of said flange of the capsule, such that the capsule is enabled to further proceed sliding along said opposite guiding cavities to reach said loading position in which the capsule is arranged substantially coaxial to at least one of the first part and the second part,

wherein the first retaining arrangement comprises one retaining element mounted movable in a transverse direction with respect to a sliding direction of said flange of the capsule within said opposite guiding cavities,

and wherein

in said condition of retention of the first retaining arrangement, the retaining element protrudes within said one of said opposite guiding cavities, to stop sliding of the flange of the capsule in said sliding direction, and

in said condition of release of the first retaining arrangement the retaining element is withdrawn from said one of said opposite guiding cavities, to enable the flange of the capsule to continue to slide in said sliding direction, to reach said loading position.

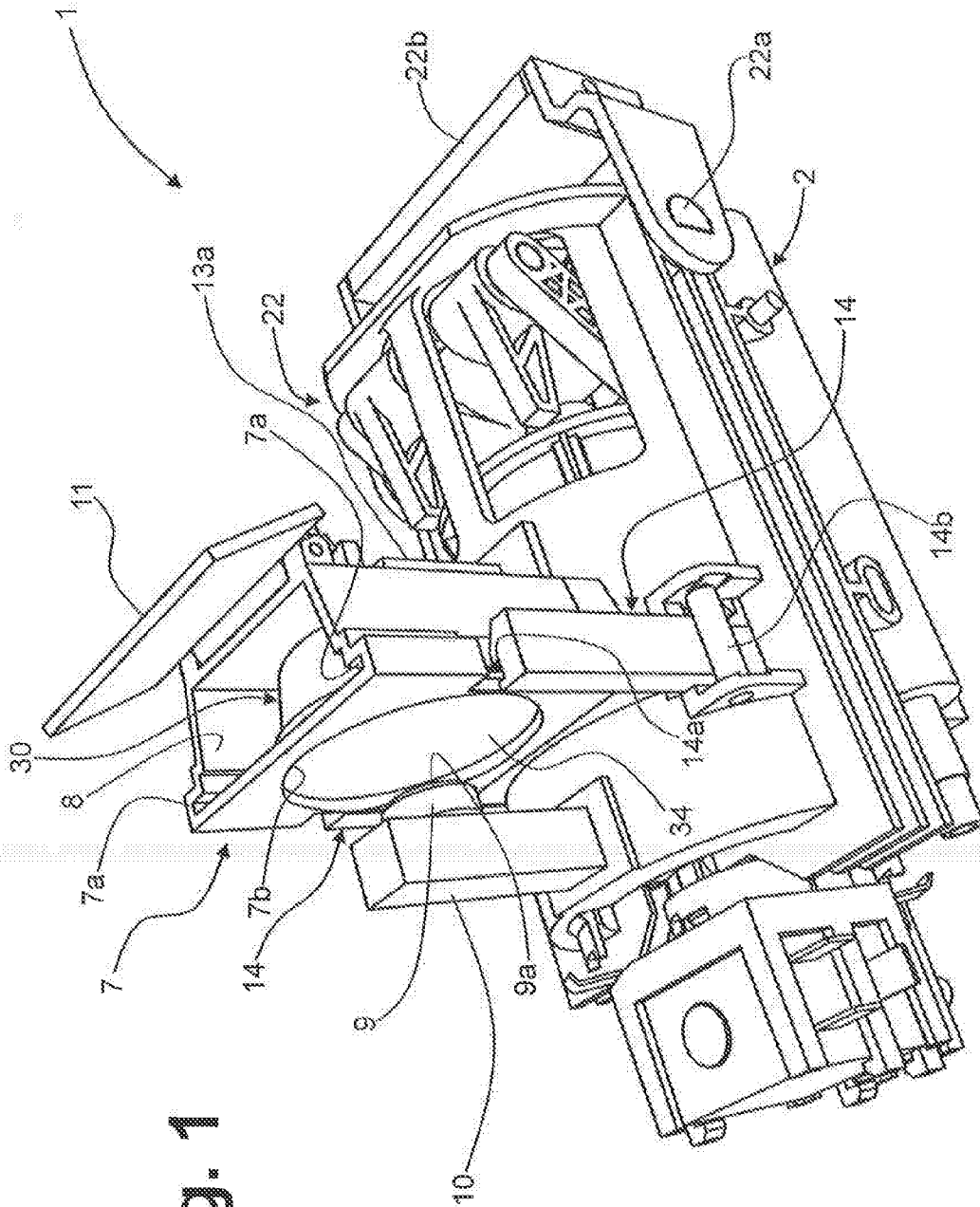


Fig. 1

Fig. 2

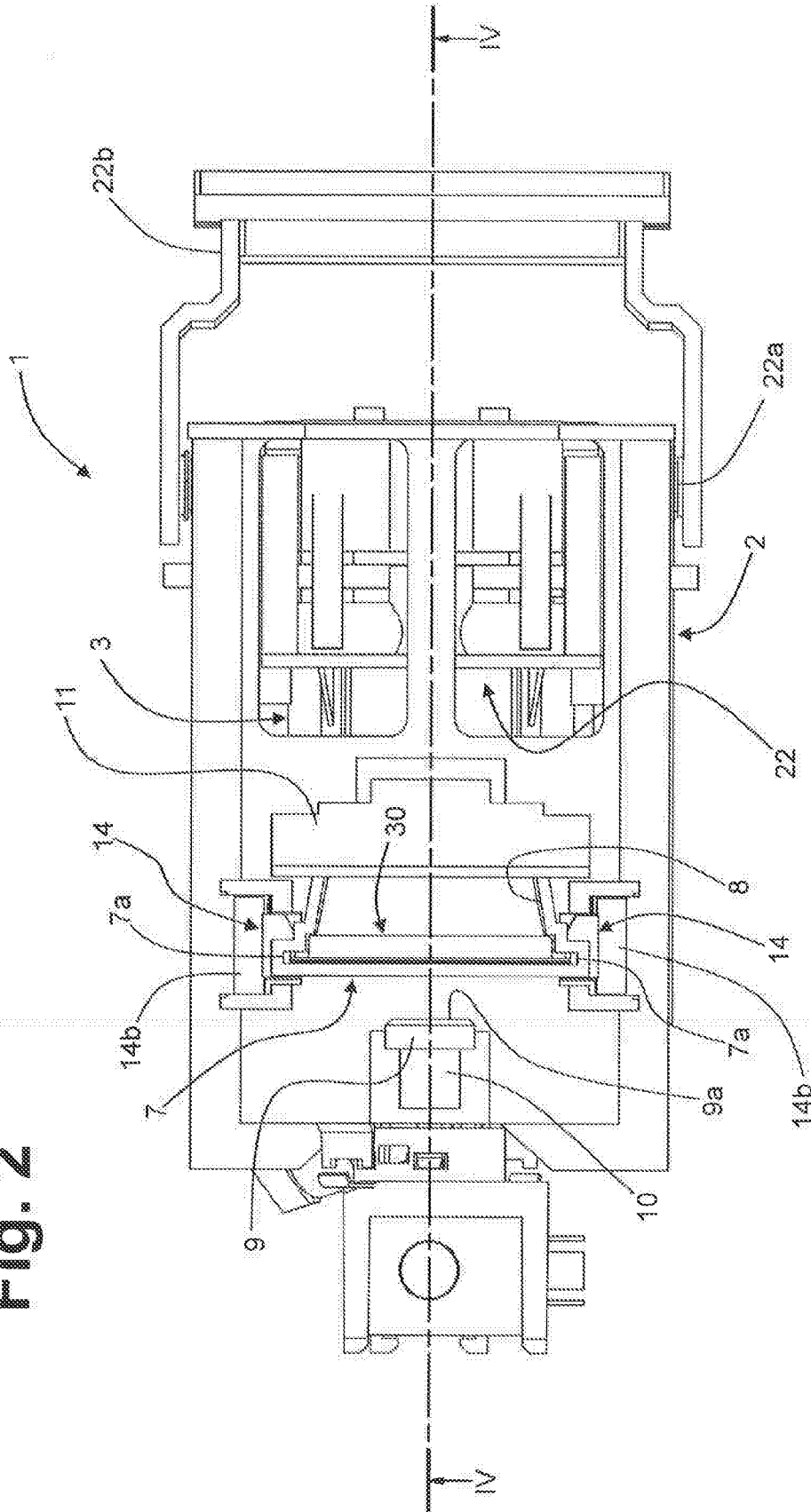


Fig. 3

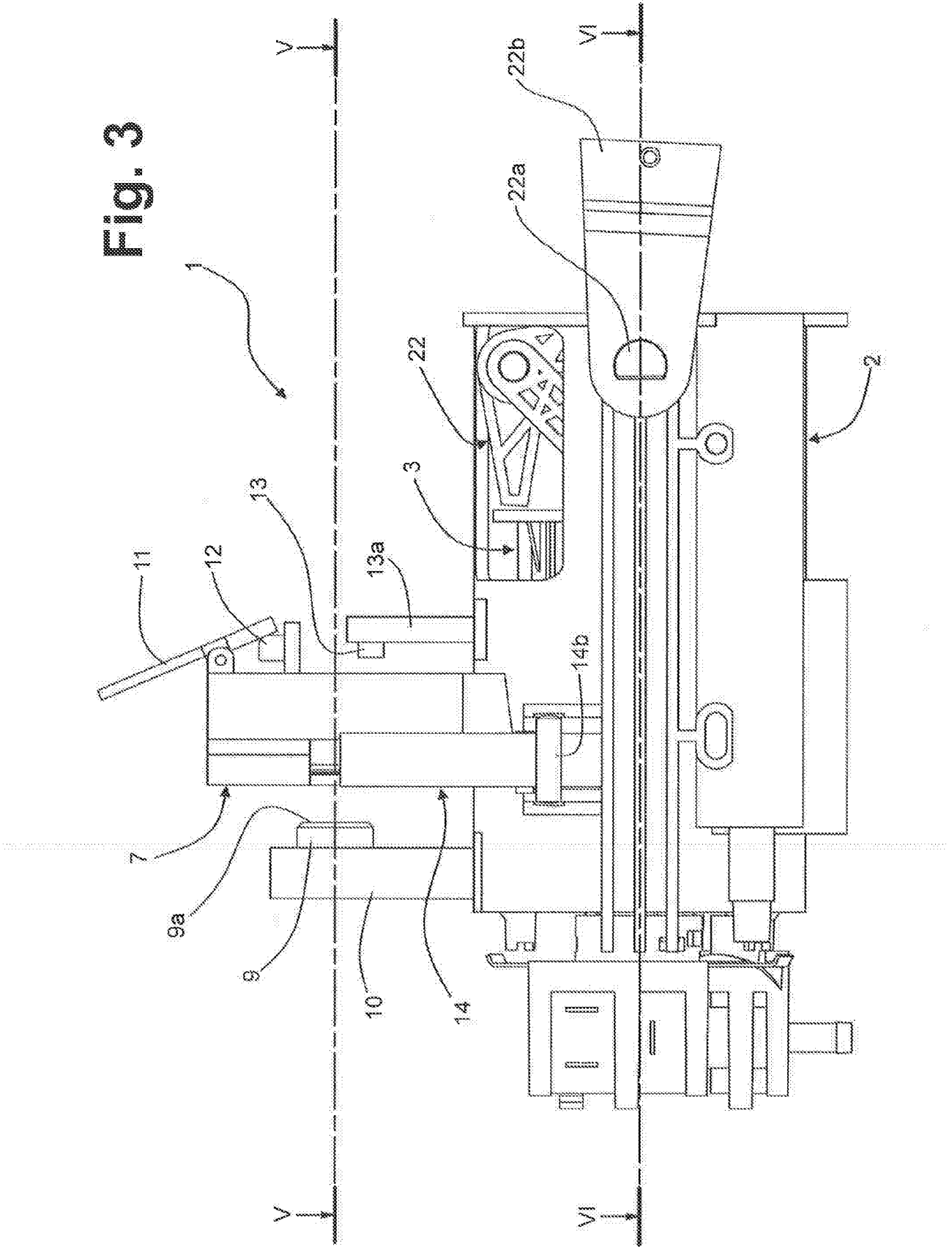


Fig. 4

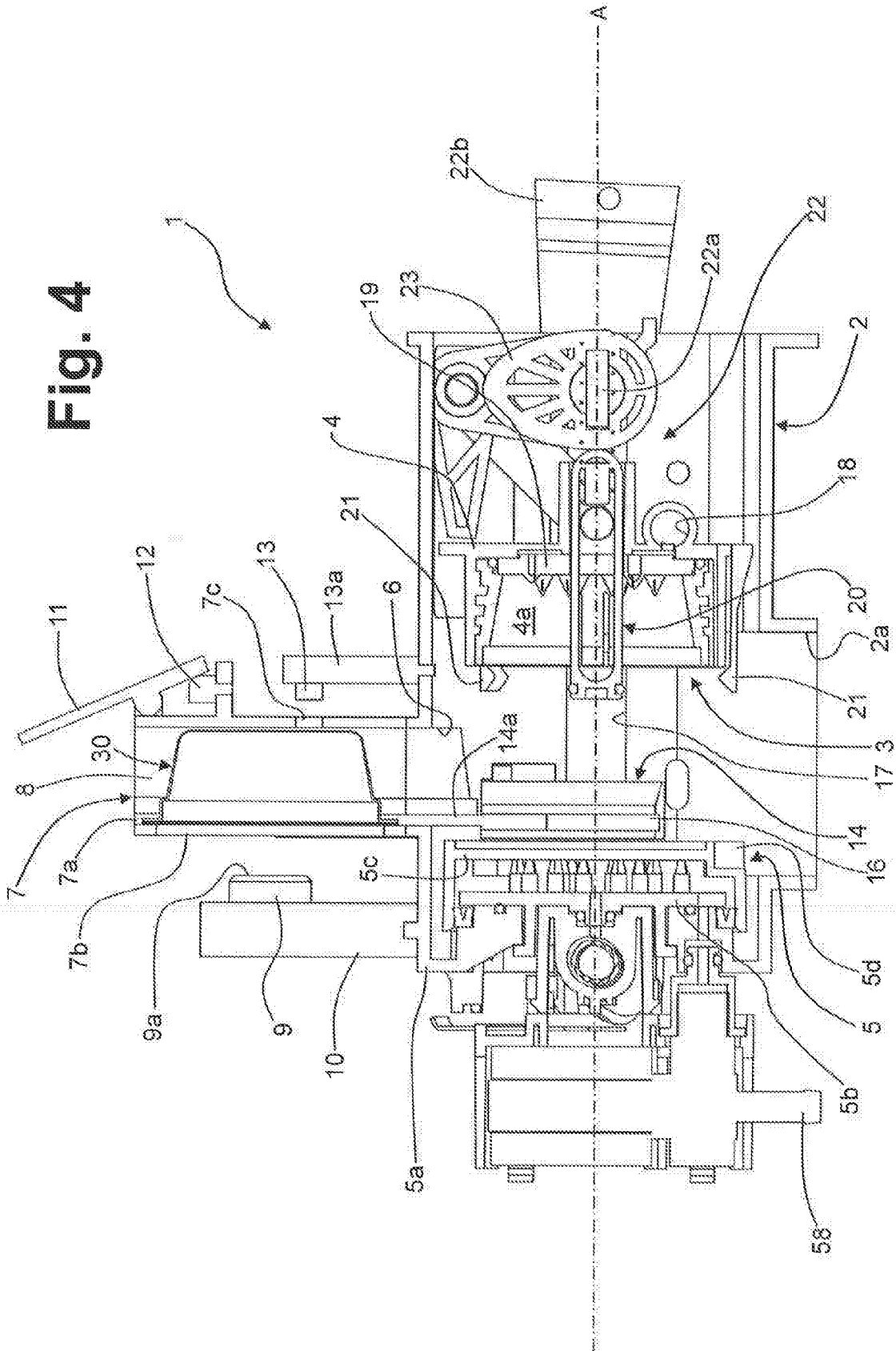


Fig. 5

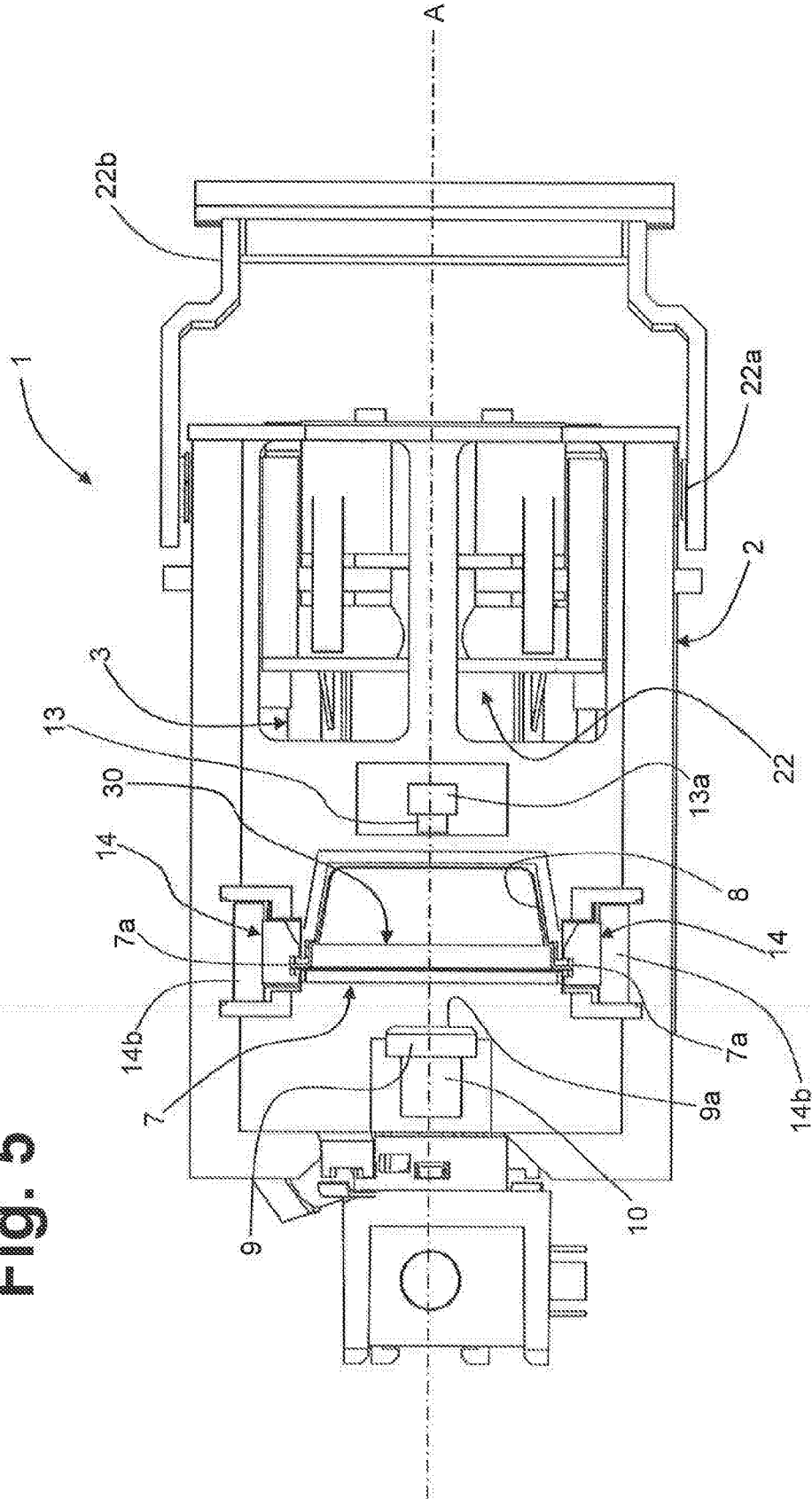
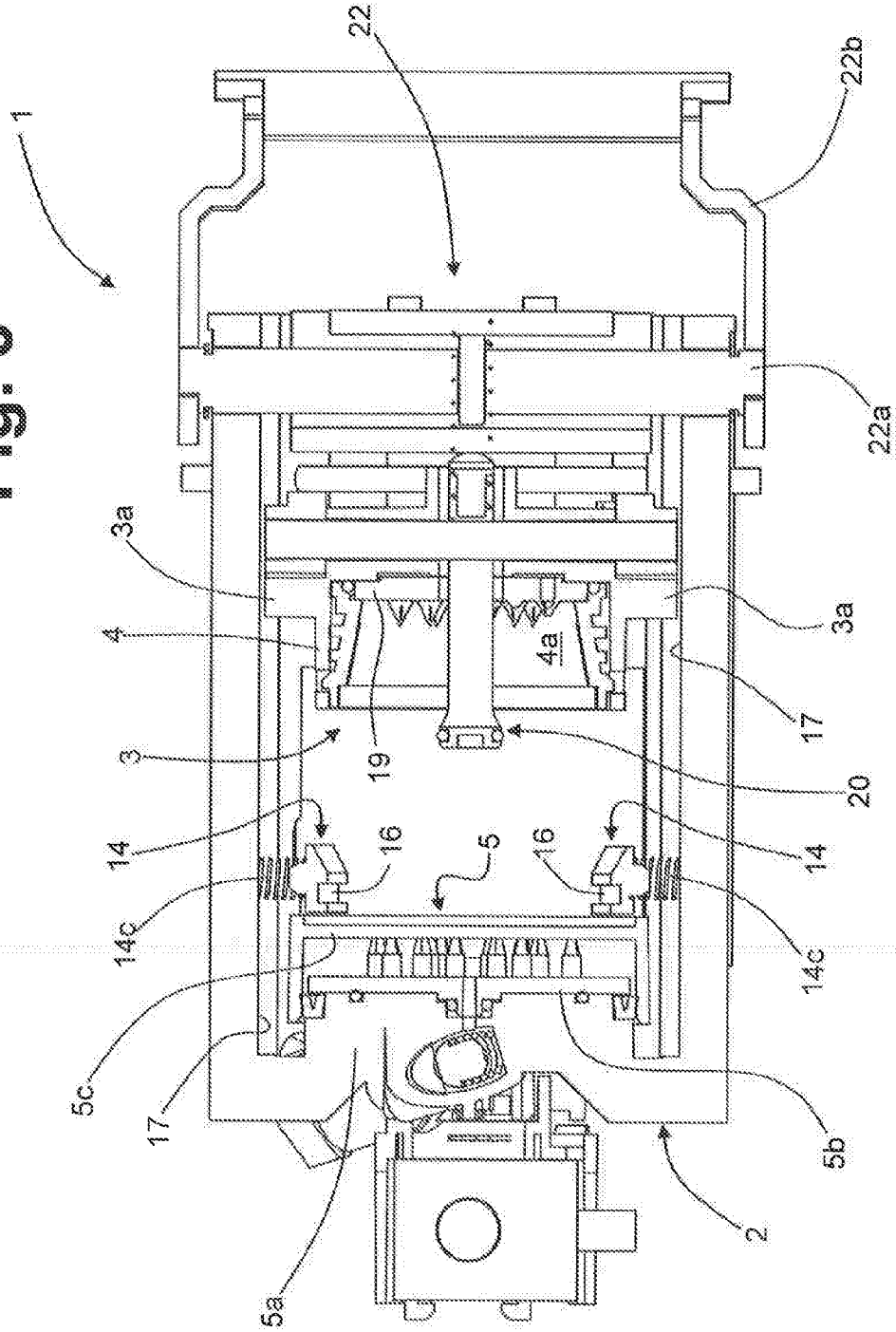


Fig. 6



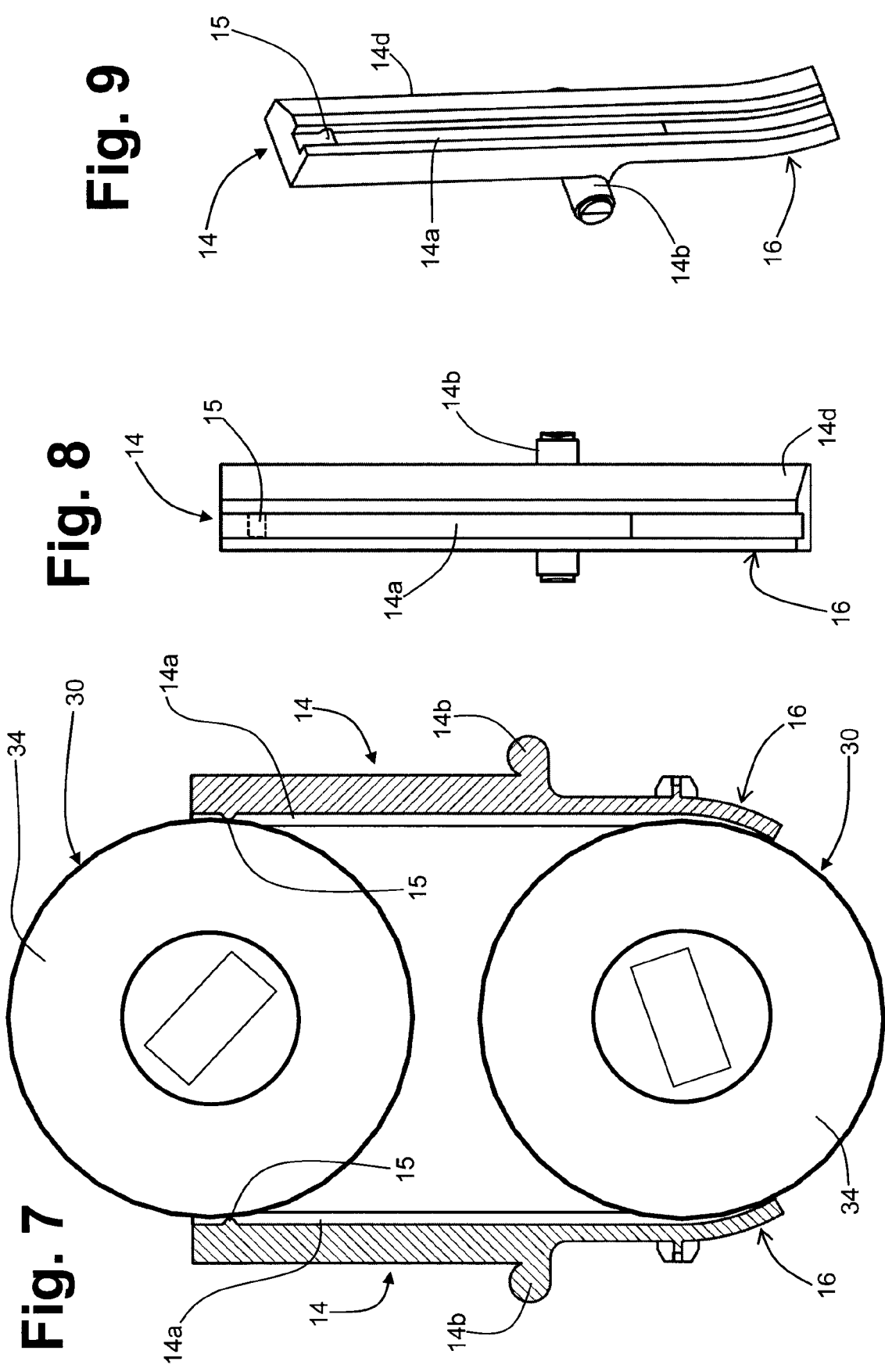


Fig. 9

Fig. 8

Fig. 7

Fig. 10

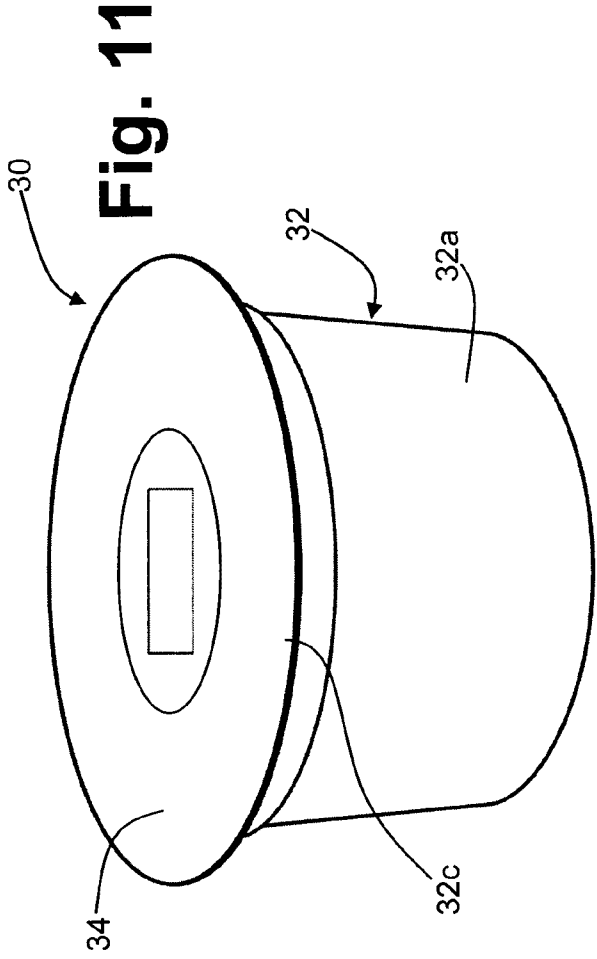
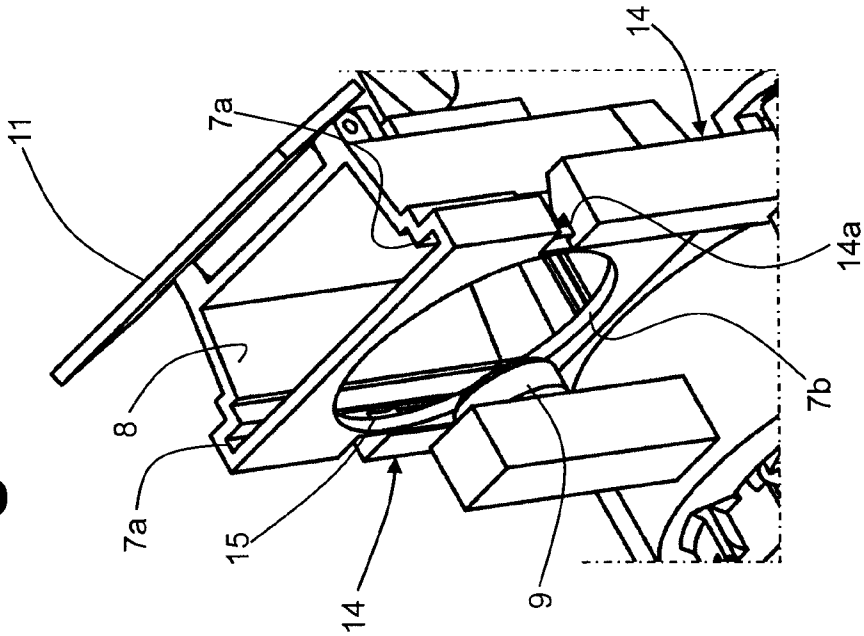


Fig. 12

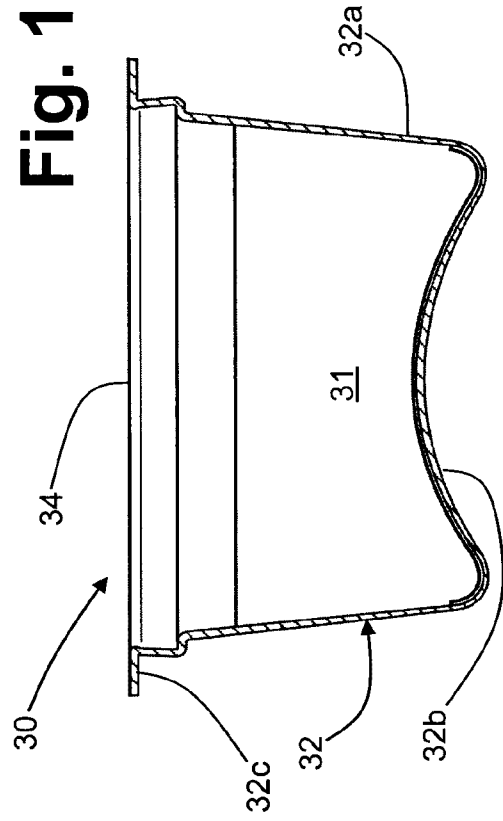


Fig. 13

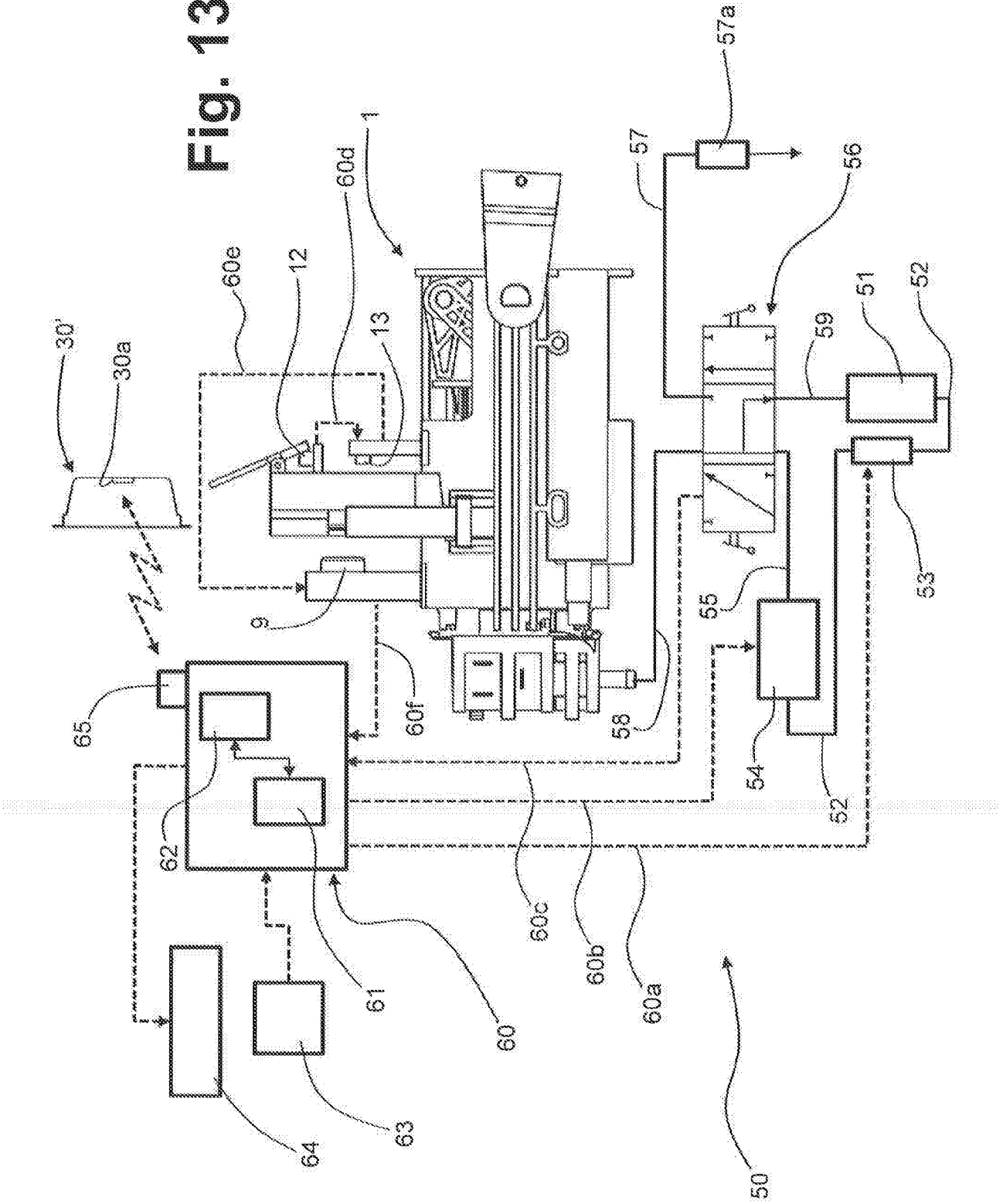


Fig. 14

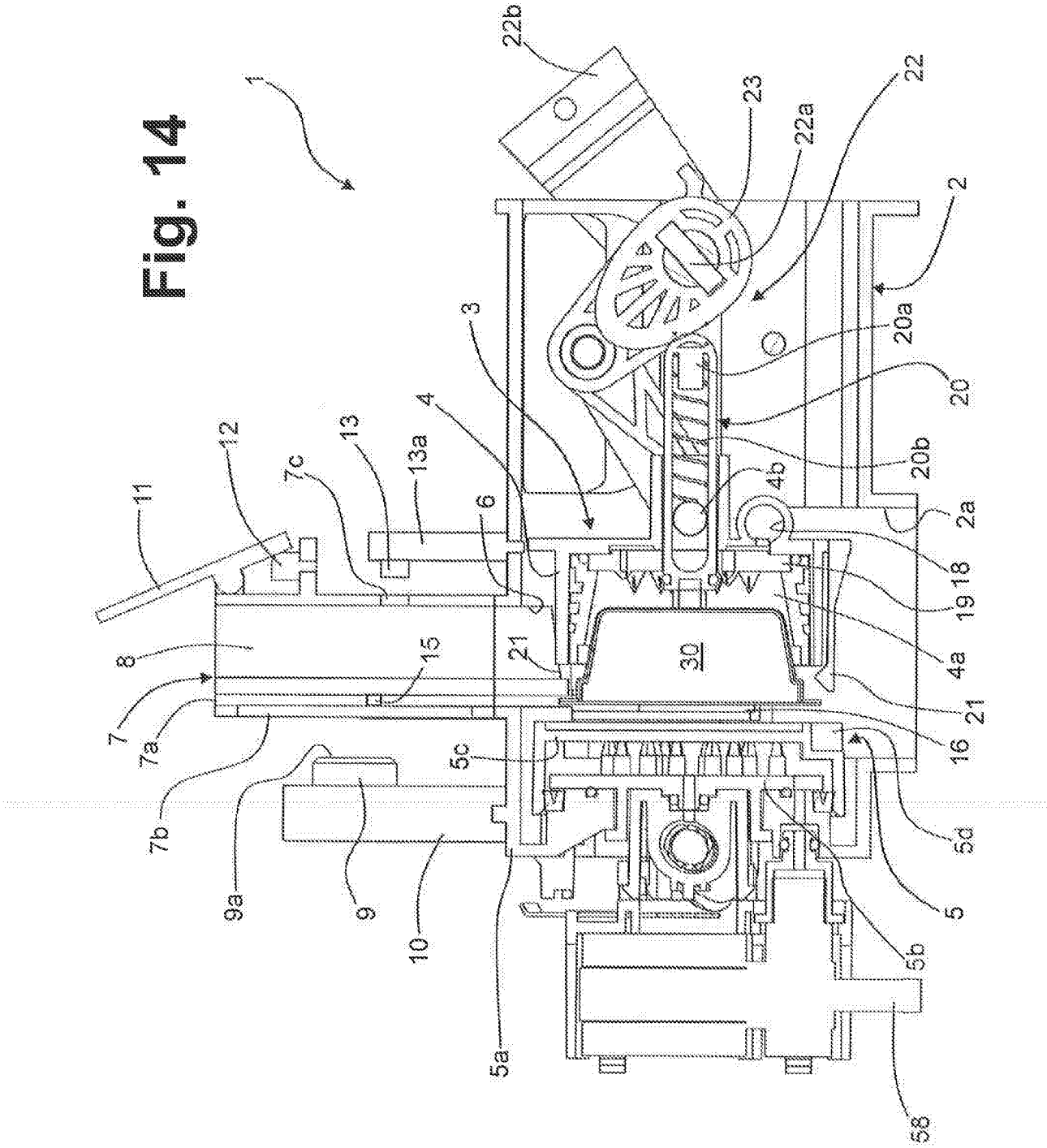


Fig. 15

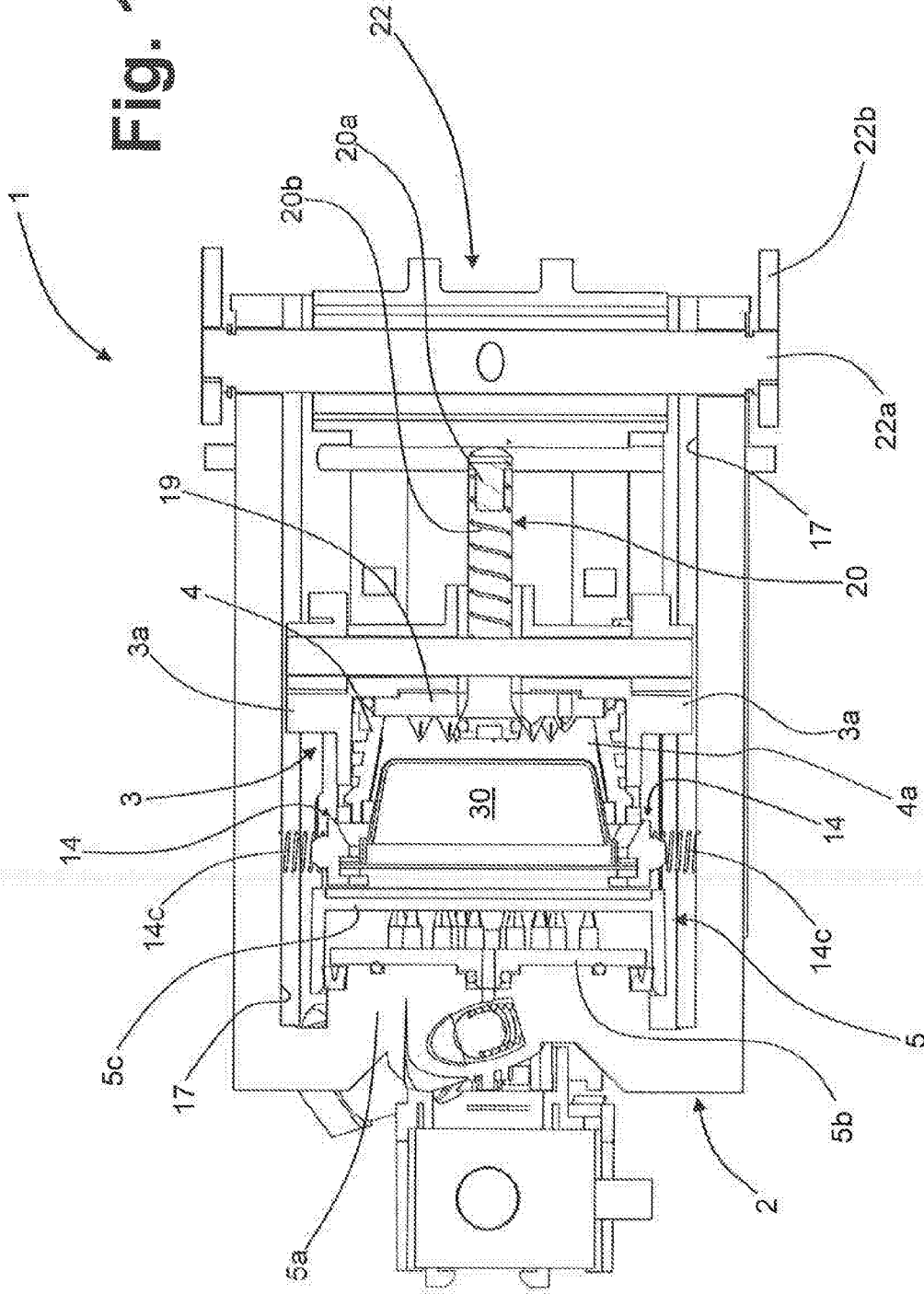


Fig. 16

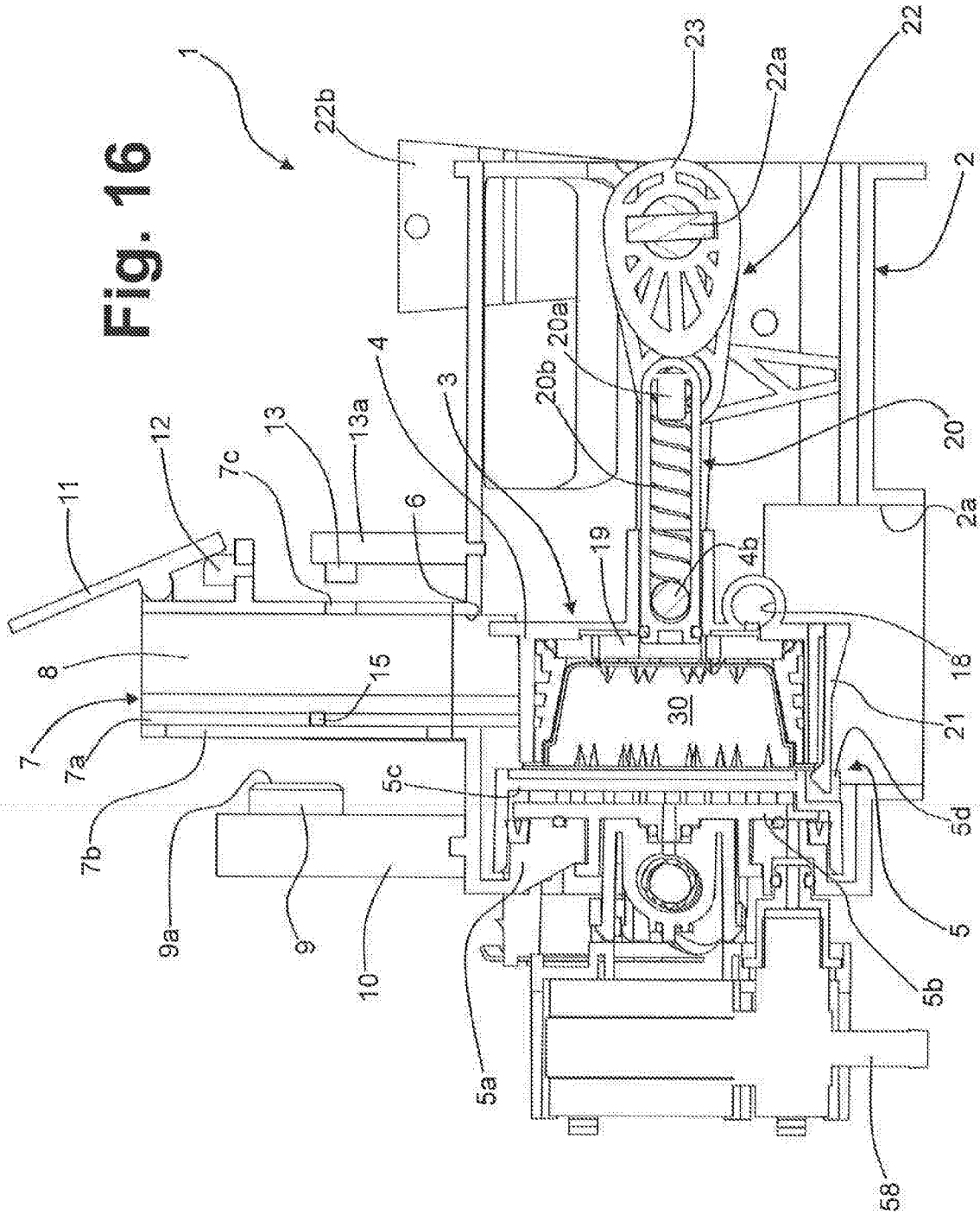


Fig. 17

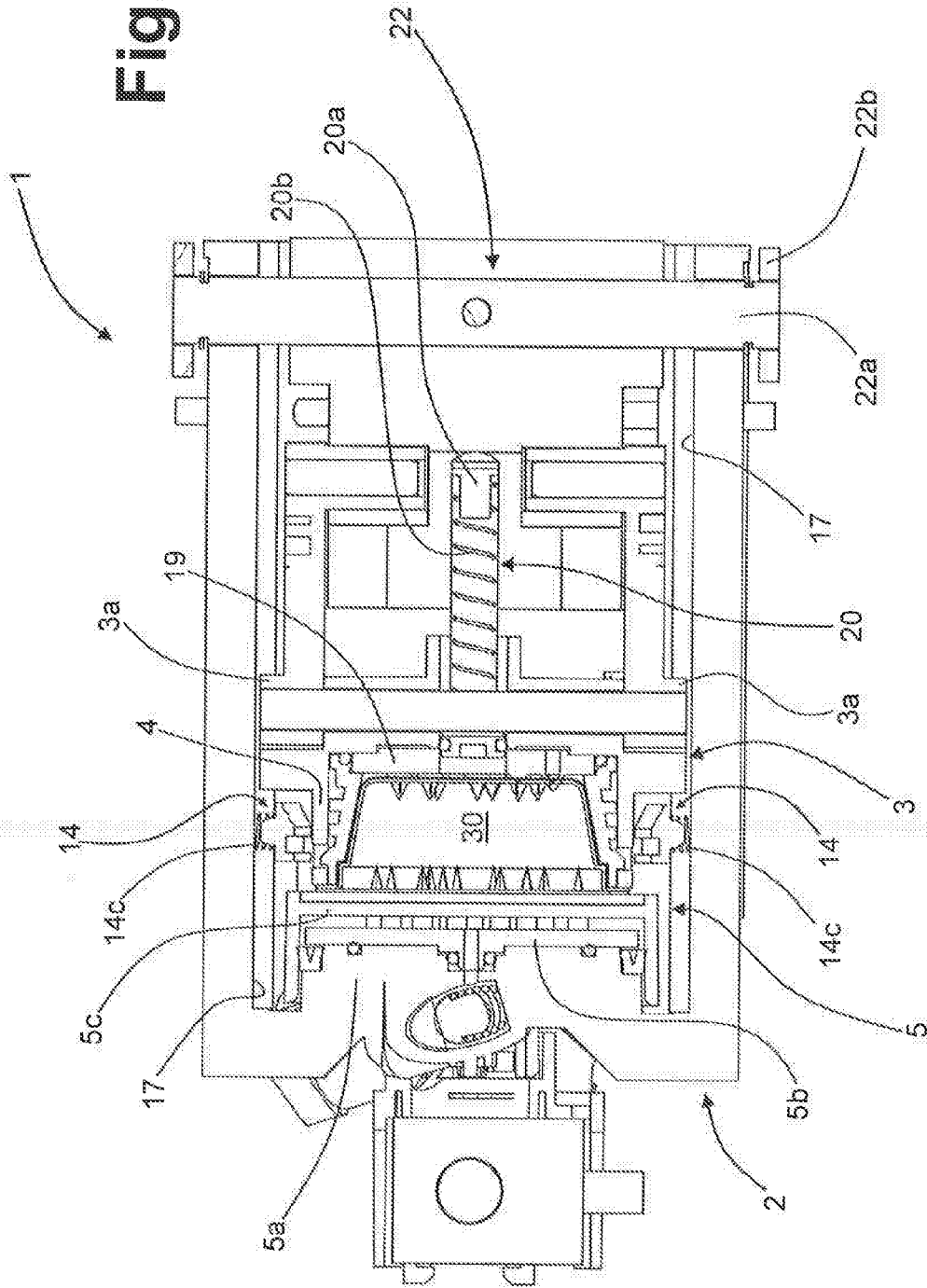


Fig. 18

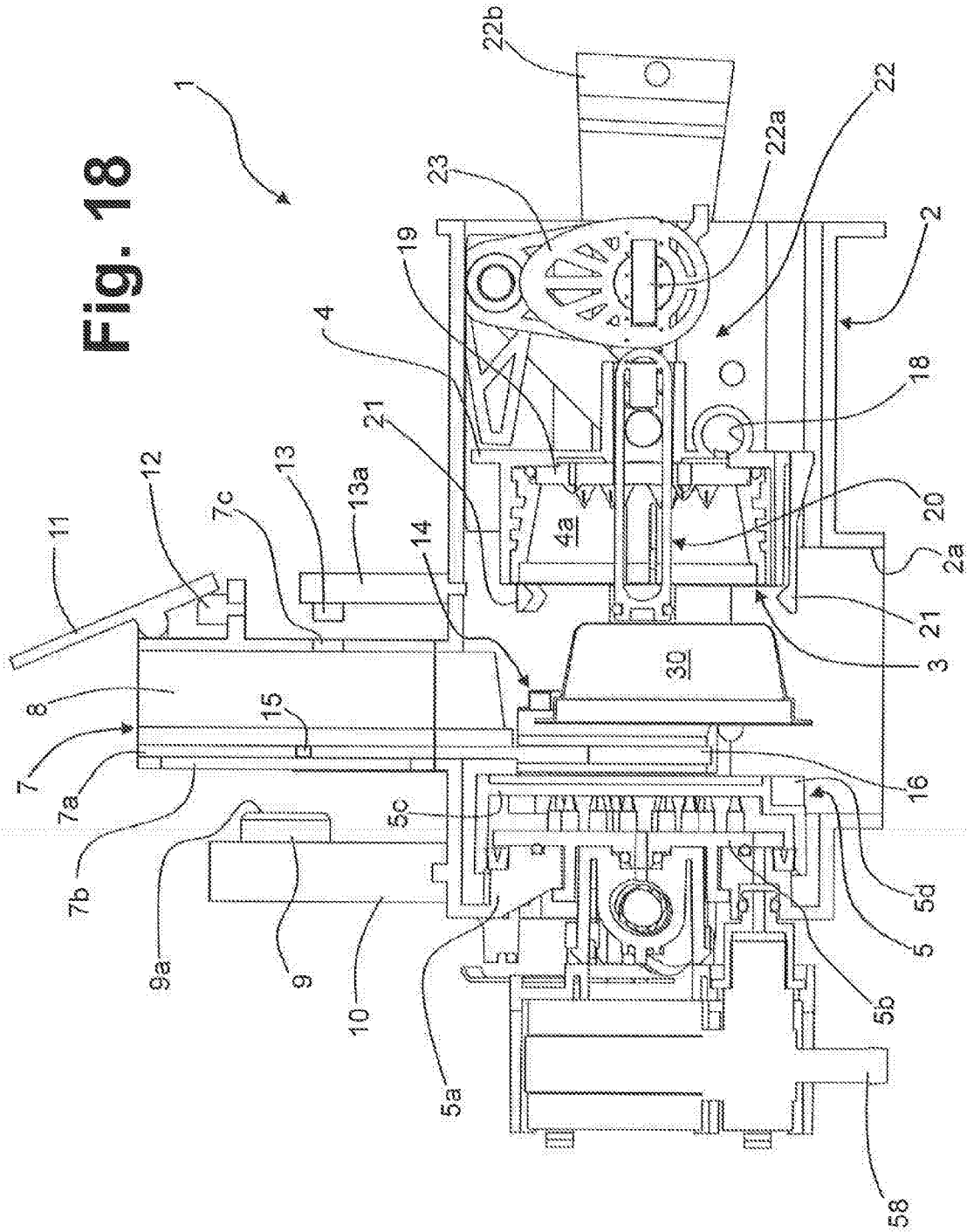


Fig. 19

