



US 20140003003A1

(19) **United States**

(12) **Patent Application Publication**
Sawada et al.

(10) **Pub. No.: US 2014/0003003 A1**

(43) **Pub. Date: Jan. 2, 2014**

(54) **MOBILE TERMINAL HAVING BOARD SUPPORT STRUCTURE**

Publication Classification

(51) **Int. Cl.**
H05K 7/02 (2006.01)

(75) Inventors: **Tatsuo Sawada**, Fukuoka (JP); **Hiroki Tanaka**, Akita (JP)

(52) **U.S. Cl.**
CPC **H05K 7/02** (2013.01)
USPC **361/736; 361/679.01; 361/760**

(73) Assignee: **PANASONIC CORPORATION**, Osaka (JP)

(57) **ABSTRACT**

To provide a mobile terminal having a board support structure capable of reducing impact on built-in components of the mobile terminal when a housing thereof undergoes a primary mode of deformation.

(21) Appl. No.: **14/005,159**

The upper end portion and the lower end portion of a main board **40** are supported by bosses **111a**, **111b**, **113a**, and **113b**.

(22) PCT Filed: **Mar. 5, 2012**

The upper end portion and the lower end portion of the main board **40** are fixed in a direction perpendicular to the surface of the main board **40**. The upper end portion thereof slides with respect to the peripheries of small-diameter cylindrical portion insertion holes **211a** and **211b** of a module holding board **30** on the front side and a rear housing **20** on the rear side. Thus, the main board **40** can move in a plane direction (in a longitudinal direction).

(86) PCT No.: **PCT/JP2012/001504**

§ 371 (c)(1),
(2), (4) Date: **Sep. 13, 2013**

(30) **Foreign Application Priority Data**

Mar. 15, 2011 (JP) 2011-056063

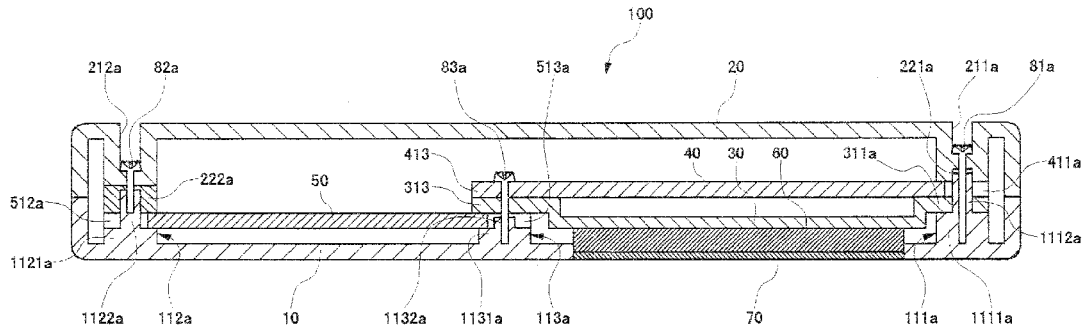


FIG.2

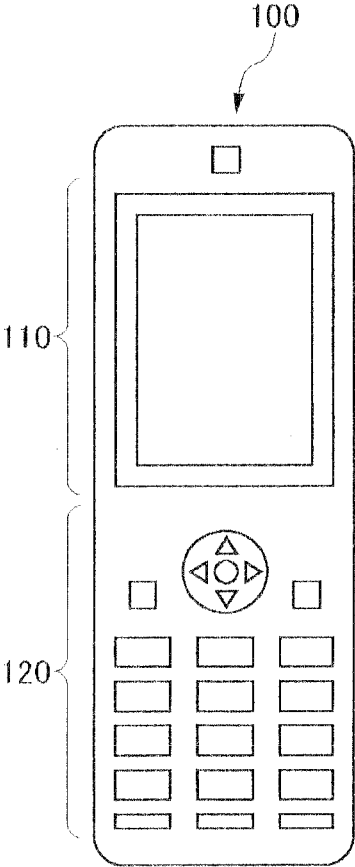


FIG.3

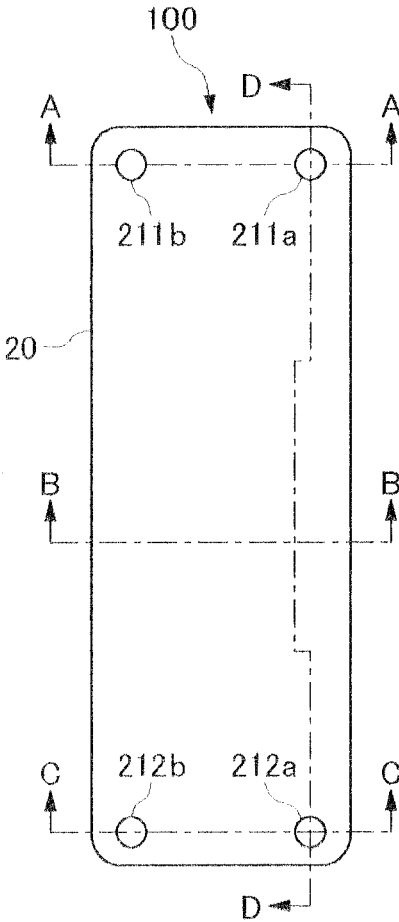


FIG. 4

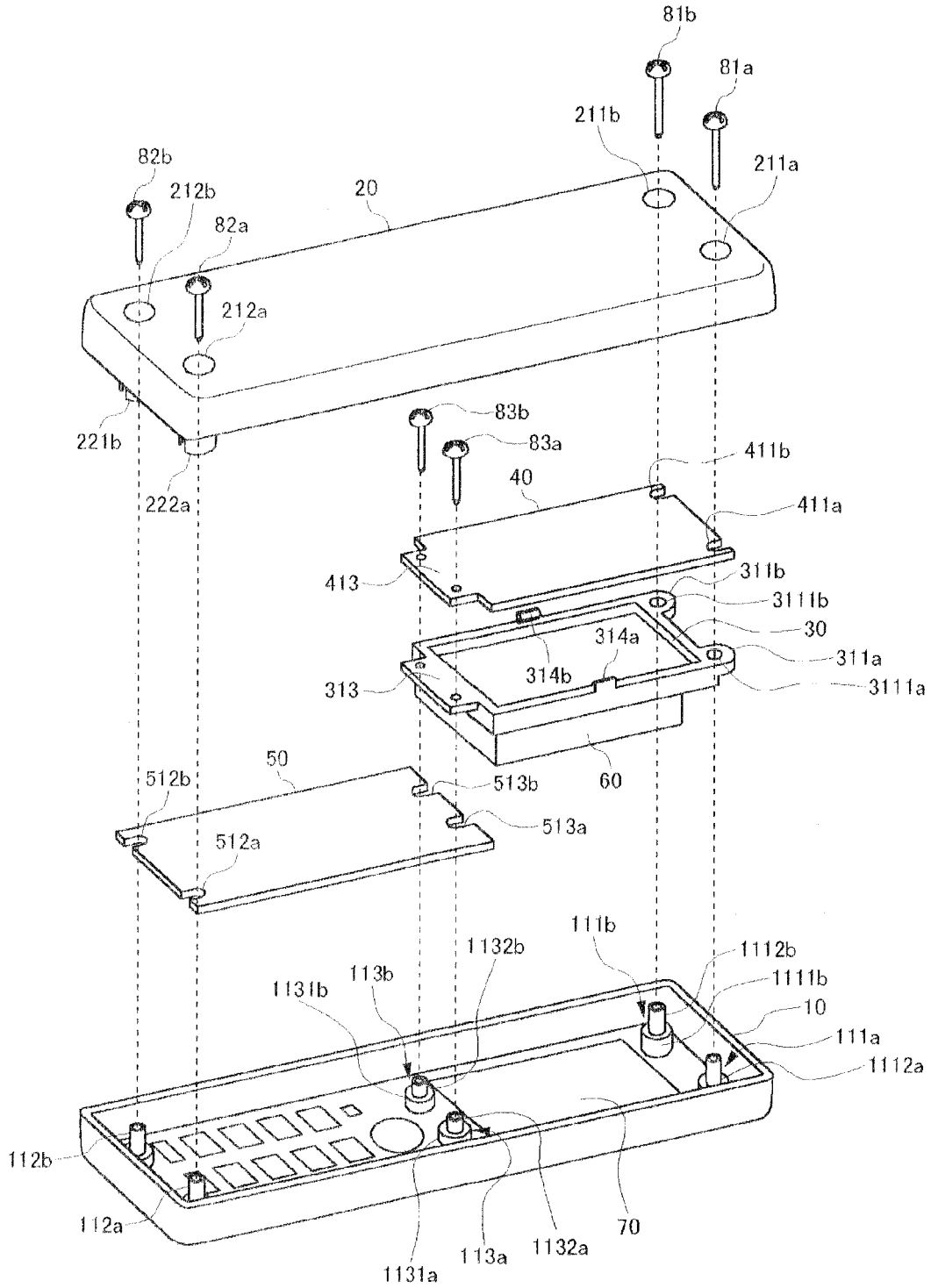


FIG.5

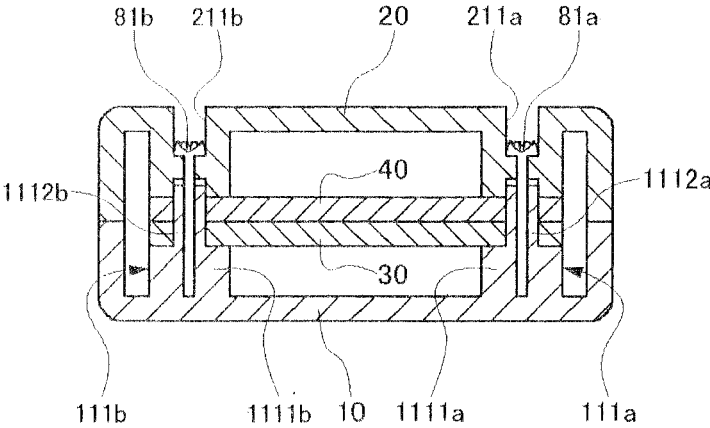


FIG. 6

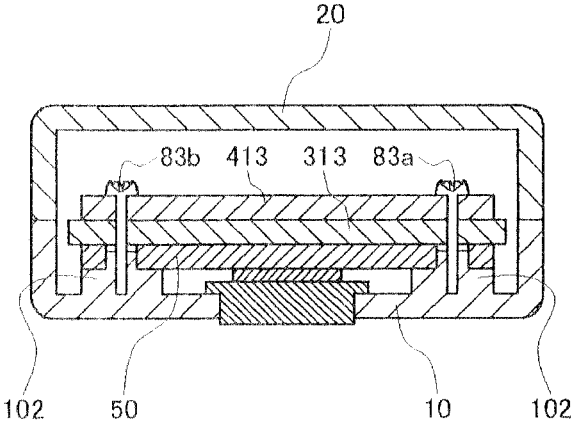


FIG. 7

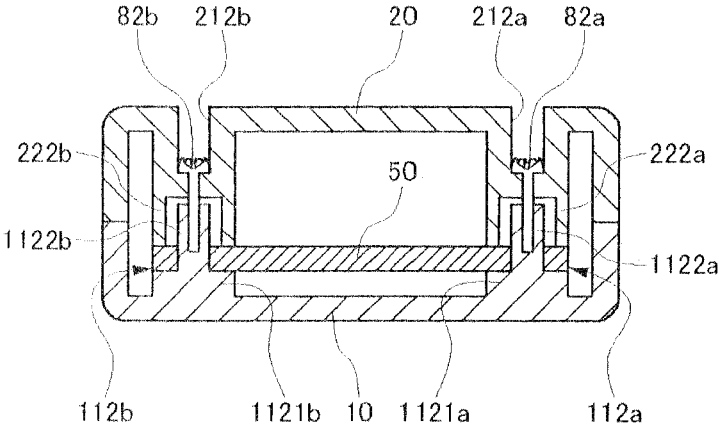
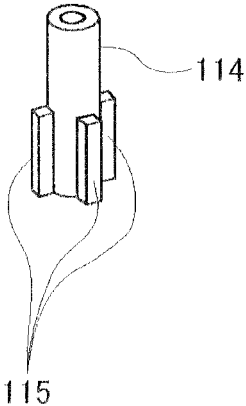


FIG.8



MOBILE TERMINAL HAVING BOARD SUPPORT STRUCTURE

TECHNICAL FIELD

[0001] The present invention relates to a board support structure of a mobile terminal.

BACKGROUND ART

[0002] The mobile terminal such as a mobile phone and a symbol scanner includes various electronic components, a liquid crystal panel, and the like as built-in components. The electronic components (including an integrated circuit) are fixed to a board, and the liquid crystal panel is held by a holding board. These boards are fixed to a housing of the mobile terminal. If the mobile terminal falls down, the housing receives a shock force due to the fall. Then, if the housing is deformed, a board fixed to the housing is deformed due to the housing deformation. Then, an electronic component fixed to the board receives a stress due to the deformation, which causes a problem in that the electronic component falls off from the board or the electronic component is damaged.

[0003] As prior art, there have been proposed various electronic devices constructed to prevent a failure of a built-in component in case a load is applied to the housing due to fall or the like. The prior art related to the present invention includes the following Patent Literatures 1 to 3.

CITATION LIST

Patent Literature

- [0004]** [Patent Literature 1] Japanese Patent Laid-Open No. 2005-283863
[0005] [Patent Literature 2] Japanese Patent Laid-Open No. 2005-79728
[0006] [Patent Literature 3] International Publication No. WO 2008/018233

SUMMARY OF INVENTION

Technical Problem

[0007] Most of the deformation of a housing of a mobile terminal due to a load applied to the housing when the mobile terminal falls down is a primary mode of deformation. Focusing on this point, it is an object of the present invention to provide a mobile terminal having a board support structure capable of reducing impact on built-in components of the mobile terminal when a housing thereof undergoes a primary mode of deformation.

Solution to Problem

[0008] In order to solve the above conventional problem, a mobile terminal having a board support structure of the present invention has a configuration in which at least one edge of a board is movable in a plane direction of the board with respect to a housing of the mobile terminal. In case the housing is deformed by an impact due to the fall of the mobile terminal, the board absorbs the deformation of the housing by moving in a plane direction to reduce the deformation of the board itself, whereby this configuration can reduce the impact on components held on the board.

[0009] Further, in the mobile terminal having the board support structure of the present invention, the board may be

substantially rectangular and may be movable in a longitudinal direction. This configuration can reduce deformation particularly in an easily deformable longitudinal direction of the board and can effectively reduce the impact on components held on the board.

[0010] Further, in the mobile terminal having the board support structure of the present invention, the board is supported by a support member on a short edge side and at least one of short edges may be fixed in a direction perpendicular to the plane of the board, and may be movable in the plane direction of the board by sliding with respect to the support member. This configuration allows the board to be fixed in a vertical direction, which can make the board movable in a plane direction and held by the housing.

[0011] Further, in the mobile terminal having the board support structure of the present invention, the support member may sandwich the board between one surface and other surface and may tighten the board between the one surface and the other surface by screw fastening. This configuration can make the board movable in a plane direction and held by the housing. Further, ease of movement of the board in a plane direction can be adjusted by adjusting the screw tightening strength.

[0012] Further, in the mobile terminal having the board support structure of the present invention, two opposing edges of the board may be movable in a direction perpendicular to the edges. This configuration allows the board to more appropriately absorb deformation of the housing by moving in a plane direction.

[0013] Further, in the mobile terminal having the board support structure of the present invention, one edge of the board may be movable in a direction perpendicular to the edge. In this configuration, in a state in which the housing is not deformed, the board is always positioned in a predetermined position and can reliably maintain the positional relation to other components; and in a state in which the housing is deformed, the board can move in a plane direction to absorb deformation of the housing.

[0014] Further, in the mobile terminal having the board support structure of the present invention, the mobile terminal may be substantially rectangular when viewed from a plane direction of the board and may include a plurality of the boards divided in a longitudinal direction. This configuration can reduce impact of deformation on one side in a longitudinal direction of the housing on the board on other side in a longitudinal direction; and can reduce impact of deformation on the other side in a longitudinal direction of the housing on the board on the one side in a longitudinal direction.

Advantageous Effects of Invention

[0015] According to the present invention, in case a housing of a mobile terminal is deformed by an impact due to the fall of the mobile terminal, a board thereof absorbs the deformation of the housing by moving in a plane direction to reduce the deformation of the board itself and to thereby be able to reduce the impact on components held on the board.

BRIEF DESCRIPTION OF DRAWINGS

[0016] FIG. 1 is a sectional view along line D-D of a mobile terminal according to an embodiment of the present invention.

[0017] FIG. 2 is a front view of the mobile terminal according to the embodiment of the present invention.

[0018] FIG. 3 is a rear view of the mobile terminal according to the embodiment of the present invention.

[0019] FIG. 4 is an exploded perspective view of the mobile terminal according to the embodiment of the present invention.

[0020] FIG. 5 is a sectional view along line A-A of the mobile terminal according to the embodiment of the present invention.

[0021] FIG. 6 is a sectional view along line B-B of the mobile terminal according to the embodiment of the present invention.

[0022] FIG. 7 is a sectional view along line C-C of the mobile terminal according to the embodiment of the present invention.

[0023] FIG. 8 is a perspective view of a boss according to a variation of the embodiment of the present invention.

DESCRIPTION OF EMBODIMENTS

[0024] Hereinafter, an embodiment for carrying out the present invention will be described with reference to the accompanying drawings. Each drawing of the present application omits or simplifies the illustration of a portion and a component which is not related to the configuration of the present invention. FIGS. 2 and 3 respectively are a front view and a rear view of a mobile terminal according to the embodiment of the present invention. In the present description, the vertical direction in FIG. 2 may be expressed as up and down; the horizontal direction in FIG. 2 may be expressed as left and right; the toward direction orthogonal to the sheet in FIG. 2 may be expressed as front (side) or front; and the depth direction orthogonal to the sheet in FIG. 2 may be expressed as a back (side) or rear.

[0025] As illustrated in FIGS. 2 and 3, a mobile terminal 100 has a substantially rectangular parallelepiped shape and each of the front and the rear thereof has a vertically long and substantially rectangular shape. The housing of the mobile terminal 100 includes a front housing 10 and a rear housing 20. The front housing 10 and the rear housing 20 have a substantially rectangular parallelepiped shape with the inside surfaces being opened. The front housing 10 includes a top face, a right face, a bottom face, and a left face substantially vertically arranged on the respective edges of the rectangular front face; and the rear housing 20 also includes a top face, a right face, a bottom face, and a left face substantially vertically arranged on the respective edges of the rectangular rear face. When the front housing 10 and the rear housing 20 are joined with the opened inside surfaces facing each other, each end portion of the top face, the right face, the bottom face, and the left face of the front housing 10 are matched with the respective end portion of the top face, the right face, the bottom face, and the left face of the rear housing 20 to form a sealed storage space therein.

[0026] The upper half part of the mobile terminal 100 is a liquid crystal region 110 having a liquid crystal panel arranged thereon. The liquid crystal region 110 includes therein an LCD module and an LCD module holding board as well as a main board of the mobile terminal 100. The lower half part of the mobile terminal 100 is a key region 120. The front housing 10 of the key region 120 includes thereon a plurality of keys such as a cross-shaped key and numeric keys. The key region 120 includes therein a key board that detects pressing of a key of the various keys and generates a signal and also includes a battery. As illustrated in FIG. 3, the rear

surface of the mobile terminal 100 includes screw insertion holes 211a, 211b, 212a, and 212b on the four corners thereof.

[0027] FIG. 4 is an exploded perspective view of the mobile terminal 100 according to the embodiment of the present invention. Hereinafter, with reference to FIG. 4, a board support structure of the mobile terminal 100 according to the embodiment of the present invention will be described in detail.

[0028] With reference to FIG. 4, the front housing 10 includes bosses 111a, 111b, 112a, and 112b standing therein so as to respectively correspond to the screw insertion holes 211a, 211b, 212a, and 212b at the four corners of the rear housing 20. Further, the front housing 10 includes bosses 113a and 113b standing right and left therein respectively near the center in the vertical direction. The bosses 111a, 111b, 112a, 112b, 113a, and 113b are formed in a two-step shape: large-diameter cylindrical portions 1111a, 1111b, 1121a, 1121b, 1131a, and 1131b fixed to the back surface of the front housing 10; and small-diameter cylindrical portions 1112a, 1112b, 1122a, 1122b, 1132a, and 1132b formed thereon.

[0029] Each upper surface of the large-diameter cylindrical portions 1111a, 1111b, 1121a, 1121b, 1131a, and 1131b of the respective bosses 111a, 111b, 112a, 112b, 113a, and 113b serves as a board seat (hereinafter referred to as "a middle seat"). Further, each of the bosses 111a, 111b, 112a, 112b, 113a, and 113b includes therein a screw hole.

[0030] The key region 120 includes therein a key board 50. The upper end portion of the key board 50 includes U-shaped notches 513a and 513b respectively corresponding to the bosses 113a and 113b. The lower edge of the key board 50 includes U-shaped notches 512a and 512b respectively corresponding to the bosses 112a and 112b. The widths of the notches 513a, 513b, 512a, and 512b in the horizontal direction are equal to the diameters of the respective small-diameter cylindrical portions of the bosses 113a, 113b, 112a, and 112b. The depths of the notches 513a, 513b, 512a, and 512b in the vertical direction are slightly greater than the diameters of the respective small-diameter cylindrical portions of the bosses 113a, 113b, 112a, and 112b.

[0031] The distance between the notch 513a and the notch 512a is less than the distance between the small-diameter cylindrical portion 1132a of the boss 113a and the small-diameter cylindrical portion 1122a of the boss 112a respectively. The distance between the notch 513b and the notch 512b is less than the distance between the small-diameter cylindrical portion 1132b of the boss 113b and the small-diameter cylindrical portion 1122b of the boss 112b respectively (see FIG. 1).

[0032] The notches 513a, 513b, 512a, and 512b are formed smaller than the middle seats of the bosses 113a, 113b, 112a, and 112b respectively. When the key board 50 is attached to the front housing 10, the peripheries of the notches 513a, 513b, 512a, and 512b are supported by the middle seats of the respective bosses 113a, 113b, 112a, and 112b. This configuration allows the key board 50 to slightly move in the vertical direction, namely, in a longitudinal direction thereof in a state of being supported by the middle seats of the bosses 113a, 113b, 112a, and 112b.

[0033] Note that the widths in the horizontal direction of the notches 513a, 513b, 512a, and 512b are equal to the widths of the small-diameter cylindrical portions 1132a, 1132b, 1122a, and 1122b of the bosses 113a, 113b, 112a, and 112b respectively. Thus, the key board 50 does not move in

the horizontal direction in the state of being supported by the middle seats of the bosses **113a**, **113b**, **112a**, and **112b**.

[0034] The liquid crystal region **110** includes therein an LCD module **60**, an LCD module holding board **30**, and a main board **40** arranged in the order starting with the front side. The LCD module **60** is fixed to the LCD module holding board **30**. The LCD module **60** has a liquid crystal panel on the front side so as to be arranged such that a liquid crystal panel display can be viewed from the front side through a transparent LCD protection panel **70** provided in the front housing **10**. Here, the LCD module holding board **30** may be a plastic frame having no circuits.

[0035] The rear side of the LCD module holding board **30** includes a side wall as a frame so as to extend around the four sides: upward, downward, left, and right, and to protrude toward the rear side. The portion except the frame (peripheral portion) on the rear side is recessed on the front side. The side wall protruding toward the rear side serves as a seat for supporting the main board **40**. Note that the recessed portion on the rear side of the LCD module holding board **30** serves as a space for housing various electronic elements attached to the front side of the main board **40**.

[0036] The right and left portions of the upper end portion of the LCD module holding board **30** include protruding seats **311a** and **311b** respectively corresponding to the bosses **111a** and **111b** of the front housing **10**. The protruding seats **311a** and **311b** include small-diameter cylindrical portion through-holes **3111a** and **3111b** for passing the small-diameter cylindrical portions **1112a** and **1112b** of the upper portions of the bosses **111a** and **111b** therethrough. The diameters of the small-diameter cylindrical portion through-hole **3111a** and **3111b** substantially match the diameters of the small-diameter cylindrical portions **1112a** and **1112b** of the bosses **111a** and **111b**. The central portion of the lower end portion of the LCD module holding board **30** includes a seat **313** having screw holes provided in both right and left portions for inserting screws **83a** and **83b** to be threadedly fitted into the screw holes of the bosses **113a** and **113b** of the front housing **10**.

[0037] The central portion of the right and left frames of the LCD module holding board **30** includes locking claws **314a** and **314b** protruding toward the rear side. The locking claws **314a** and **314b** lock the main board **40** so as to prevent the main board **40** from bending in such a way that when the housing is deformed, the central portion of the main board **40** rises to be convex toward the rear side.

[0038] The front surface and the rear surface of the main board **40** respectively include electronic components (unillustrated) such as semiconductor chips. The central portion of the lower end portion of the main board **40** includes a seat **413** having screw holes in both right and left portions for inserting screws to be threadedly fitted into the screw holes of the bosses **113a** and **113b** of the front housing **10**. The shape of the seat **413** corresponds to the shape of the seat **313** of the LCD module holding board **30**.

[0039] The both right and left portions of the upper end portion of the main board **40** include U-shaped notches **411a** and **411b** respectively. The widths of the notches **411a** and **411b** in the horizontal direction are equal to the diameters of the small-diameter cylindrical portions **1112a** and **1112b** of the bosses **111a** and **111b**; and the diameters of the protruding seats **311a** and **311b** of the LCD module holding board **30**. The depths of the notches **411a** and **411b** in the vertical

direction are slightly greater than the diameters of the small-diameter cylindrical portions **1112a** and **1112b** of the bosses **111a** and **111b**.

[0040] FIGS. **1**, **5**, **6**, and **7** respectively are a sectional view along line D-D, a sectional view along line A-A, a sectional view along line B-B, and a sectional view along line C-C of the mobile terminal **100** according to the embodiment of the present invention. With reference to FIGS. **1**, **5**, **6**, and **7**, along with FIG. **4**, the structure of the mobile terminal **100** including a combination of aforementioned members will be described.

[0041] When the key board **50** is attached to the key region **120** of the front housing **10**, the small-diameter cylindrical portions **1122a** and **1122b** of the bosses **112a** and **112b** of the front housing **10** are fitted into the respective notches **512a** and **512b**; and the small-diameter cylindrical portions **1132a** and **1132b** of the bosses **113a** and **113b** of the front housing **10** are fitted into the respective notches **513a** and **513b**. The peripheries of the notches **512a** and **512b** of the key board **50** are supported by the middle seats of the bosses **112a** and **112b**; and the peripheries of the notches **513a** and **513b** of the key board **50** are supported by the middle seats of the bosses **113a** and **113b**.

[0042] As described above, the widths in the horizontal direction of the notches **513a**, **513b**, **512a**, **512b** are equal to the diameters of the small-diameter cylindrical portions **1132a**, **1132b**, **1122a**, and **1122b** of the bosses **113a**, **113b**, **112a**, and **112b** respectively. The depths of the notches **513a**, **513b**, **512a**, and **512b** in the vertical direction are slightly greater than the diameters of the small-diameter cylindrical portions **1132a**, **1132b**, **1122a**, and **1122b** of the bosses **113a**, **113b**, **112a**, and **112b** respectively. Thus, in this state, the key board **50** does not move left or right but can slightly move in the vertical direction. Thus, in case the mobile terminal **100** falls down and the housing is deformed by an impact due to the fall, causing a change in distance between the bosses **113a** and **113b** and the bosses **112a** and **112b**, the key board **50** absorbs such a change in distance by moving the middle seats of the bosses **113a**, **113b**, **112a**, and **112b** in the vertical direction to thereby be able to reduce the deformation of the key board **50**.

[0043] In a state in which the key board **50** is attached to the front housing **10**, the LCD module holding board **30** holding the LCD module **60** is attached to the liquid crystal region **110** with the LCD module **60** facing the front side. The small-diameter cylindrical portions through-hole **3111a** and **3111b** of the protruding seats **311a** and **311b** of the LCD module holding board **30** are fitted into the small-diameter cylindrical portions **1112a** and **1112b** in the upper portion of the bosses **111a** and **111b**. The peripheries of the small-diameter cylindrical portions through-hole **3111a** and **3111b** of the protruding seat **311a** and **311b** are supported by the middle seats of the bosses **111a** and **111b**. As described above, the diameters of the small-diameter cylindrical portions through-hole **3111a** and **3111b** of the protruding seats **311a** and **311b** are equal to the diameters of the small-diameter cylindrical portions **1112a** and **1112b** of the bosses **111a** and **111b**. Thus, the LCD module holding board **30** does not move in upward, downward, left, or right direction.

[0044] At this time, the seat **313** provided on a lower side of the LCD module holding board **30** presses the peripheries of the notches **513a** and **513b** of the key board **50** and the portion between the notch **513a** and the notch **513b** from top to bottom. The screw holes provided in the seat **313** correspond

to the screw holes of the bosses **113a** and **113b**. As illustrated in FIGS. **1** and **6**, the upper end portion of the bosses **113a** and **113b** is slightly lower than the surface of the key board **50**. Thus, the LCD module holding board **30** is not supported by the bosses **113a** and **113b**, but the lower end portion thereof is supported by the key board **50**.

[0045] In a state in which the LCD module holding board **30** is attached, the main board **40** having electronic components on both surfaces is attached to the liquid crystal region **110**. The screws **83a** and **83b** are inserted into the screw holes of the seat **413** in the lower end portion of the main board **40**. The screws are further inserted into the respective screw holes provided in the seat **313** of the LCD module holding board **30** to be threadedly fitted into the screw holes of the bosses **113a** and **113b**. In other word, the lower end portion of the main board **40** is fixed to the bosses **113a** and **113b** of the front housing **10**.

[0046] At this time, the small-diameter cylindrical portions of the bosses **111a** and **111b** passing through the small-diameter cylindrical portion through-holes of the protruding seats **311a** and **311b** of the LCD module holding board **30** are fitted into the notches **411a** and **411b** in the upper edge of the main board **40**. At this time, the central portion in the vertical direction on the right and left edges of the main board **40** is locked by the locking claws **314a** and **314b** provided on the rear side of the LCD module holding board **30**.

[0047] As described above, the widths in right and left directions of the notches **411a** and **411b** are equal to the diameters of the small-diameter cylindrical portions of the bosses **111a** and **111b** and the diameters of the protruding seats **311a** and **311b** of the LCD module holding board **30**; and the depths in the vertical direction of the notches **411a** and **411b** are slightly greater than the diameters of the small-diameter cylindrical portions of the bosses **111a** and **111b**. Thus, in case the mobile terminal **100** falls down and the housing is deformed by an impact due to the fall, causing a change in distance between the bosses **111a** and **111b** and the bosses **112a** and **112b**, the main board **40** absorbs such a change in distance by moving the middle seats of the bosses **111a** and **111b** in the vertical direction to thereby be able to reduce the deformation of the main board **40**.

[0048] In this state, the rear housing **20** is attached to the front housing **10**. Inside the upper end portion of the rear housing **20**, small-diameter cylindrical portion insertion holes **221a** and **221b** are formed in positions facing the screw insertion holes **211a** and **211b**. The distal end portions of the small-diameter cylindrical portions **1111a** and **1111b** of the bosses **111a** and **111b** of the front housing **10** are inserted into the small-diameter cylindrical portion insertion holes **221a** and **221b**. In this state, the screws **81a** and **81b** are inserted from the screw insertion holes **211a** and **211b** of the rear housing **20** to be threadedly fitted into the screw holes of the bosses **111a** and **111b** of the front housing **10**. Thus, the peripheries of the small-diameter cylindrical portion insertion holes **221a** and **221b** of the rear housing **20** press the peripheries of the notches **411a** and **411b** of the main board **40** in the front direction so as to firmly fix the upper end portions of the LCD module holding board **30** and the main board **40** in the front and rear directions.

[0049] Note that at this time, the upper surfaces of the small-diameter cylindrical portions **1112a** and **1112b** of the front housing **10** do not reach up to the bottom surfaces of the screw insertion holes **211a** and **211b** of the rear housing **20**. Thus, the bottom surfaces of the screw insertion holes **211a**

and **211b** of the rear housing **20** interfere with the small-diameter cylindrical portions **1112a** and **1112b** of the front housing **10**, to thereby be able to prevent the upper end portion of the LCD module board **30** and the main board **40**, which should be tightly held by the rear housing **20** and the front housing **10**, from loosening in the front and rear directions.

[0050] The peripheries of the notches **411a** and **411b** in the upper end portion of the main board **40** are sandwiched between the peripheries of the screw insertion holes **211a** and **211b** of the rear housing **20** and the protruding seats **311a** and **311b** of the LCD module holding board **30** in the front and rear directions. Even in this state, the upper end portion of the main board **40** can move in the vertical direction with respect to the rear housing **20**, the front housing **10**, and the LCD module holding board **30** by sliding with respect to the rear housing **20** and the LCD module holding board **30**.

[0051] Meanwhile, inside the upper end portion of the rear housing **20**, board pressing ribs **222a** and **222b** are formed in positions facing the screw insertion holes **212a** and **212b**. In a state in which the rear housing **20** is attached to the front housing **10**, the board pressing ribs **222a** and **222b** abut against the peripheries of the notches **512a** and **512b** in the lower end portion of the key board **50**. The screws **82a** and **82b** are inserted into the screw insertion holes **212a** and **212b** of the rear housing **20** to be threadedly fitted into screw holes of the bosses **112a** and **112b** of the front housing **10** so as to press the peripheries of the notches **512a** and **512b** of the key board **50** to the middle seats of the bosses **112a** and **112b** of the front housing **10**.

[0052] Note that at this time, the upper surfaces of the small-diameter cylindrical portions **1122a** and **1122b** of the bosses **112a** and **112b** of the front housing **10** do not reach up to the rear housing **20**. Thus, the rear housing **20** interferes with the small-diameter cylindrical portions **1122a** and **1122b** of the front housing **10**, to thereby be able to prevent the lower end portion of the key board **50**, which should be tightly held by the pressing ribs **222a** and **222b** of the rear housing **20** and the middle seat of the boss **112a** of the front housing **10**, from loosening in the front and rear directions.

[0053] The peripheries of the notches **512a** and **512b** in the lower end portion of the key board **50** are sandwiched between the pressing ribs **222a** and **222b** and the middle seat of the boss **112a** of the front housing **10** in the front and rear directions. Even in this state, the lower end portion of the key board **50** can move in the vertical direction by sliding with respect to the rear housing **20** and the front housing **10**.

[0054] As described above, according to the mobile terminal **100** of the present embodiment, both the upper end portion and the lower end portion of the key board **50** can move in the vertical direction with respect to the rear housing **20** and the front housing **10**; and the upper end portion of the main board **40** can move in the vertical direction with respect to the rear housing **20** and the front housing **10**. Thus, in case the rear housing **20** and the front housing **10** are deformed by an impact, the key board **50** and the main board **40** absorb the deformation of the rear housing **20** and the front housing **10** by moving in the vertical direction to reduce the deformation of the rear housing **20** and the front housing **10** to thereby reduce the deformation of the key board **50** and the main board **40**.

[0055] Further, according to the mobile terminal of the present embodiment, the required boards are divided into two boards: the key board **50** on the lower side (key region **120**)

and the main board **40** on the upper side (liquid crystal region **110**), whereby an effect of an upper side deformation of the rear housing **20** and the front housing **10** on a lower side deformation of the key board **50** can be reduced and an effect of a lower side deformation of the rear housing **20** and the front housing **10** on an upper side deformation of the main board **40** can be reduced.

[0056] Hereinbefore one of the embodiments of the present invention has been described. The present invention is not limited to the above-described embodiment and various modifications can be made to the embodiment. For example, the bosses **111a**, **111b**, **112a**, **112b**, **113a**, and **113b** of the present embodiment are formed in a two-step configuration: the large-diameter cylindrical portions and the small-diameter cylindrical portions, but only the small-diameter cylindrical portions may be used. FIG. **8** is a perspective view of a variation of the bosses **111a**, **111b**, **112a**, **112b**, **113a**, and **113b**. A boss **114** of the variation has only the small-diameter cylindrical portion, but has a plurality of seat pillars **115** provided therearound with the same height as that of the middle seat of the present embodiment. Such a configuration also allows the upper end portion of the seat pillar **115** to support the key board **50** and the LCD module holding board **30**. Further, the seat for supporting the key board **50** and the LCD module holding board **30** may be positioned far away from the boss **114** having only the small-diameter cylindrical portion.

[0057] Further, according to the present embodiment, both the upper and lower ends of the key board **50** can move in the vertical direction, but only one end thereof may move in the vertical direction like the main board **40** and the other end thereof may be fixed to the rear housing **20** or the front housing **10**. Furthermore, according to the present embodiment, only the upper end portion of the main board **40** can move in the vertical direction, but only the lower end portion thereof may move in the vertical direction or both the upper and lower ends thereof may move in the vertical direction.

[0058] Still furthermore, according to the present embodiment, both the upper and lower ends of the key board **50** and the upper end portion of the main board **40** can move in the vertical direction, but any other boards may move in the vertical direction. Still furthermore, according to the present embodiment, both the upper and lower ends of the key board **50** and the upper end portion of the main board **40** cannot move in the horizontal direction and can move only in the vertical direction, but may move in the horizontal direction. In order to achieve this configuration, the widths the horizontal direction of the notches **512a**, **512b**, **513a**, **513b**, **411a**, and **411b** only needs to be slightly greater than the diameters of the bosses **112a**, **112b**, **113a**, **113b**, **111a**, and **111b**.

[0059] The mobile terminal **100** of the present embodiment can be applied to an apparatus such as a mobile phone and a mobile symbol scanner, whose housing would receive a big impact. Various components may be housed in the housing according to a specific application of the mobile terminal **100**. For example, when applied to a mobile symbol scanner, an assay laser for reading is provided on the rear side of the mobile terminal **100** and accordingly a reading window is provided in the rear housing **20**. According to the present embodiment, a part of the rear housing **20** directly presses the lower end portion of the key board **50** and the upper end portion of the main board **40** toward the front side, but as described above, according to a specific application of the

mobile terminal **100**, the rear housing **20** may press the key board **50** and the main board **40** through other components.

INDUSTRIAL APPLICABILITY

[0060] As described above, in case a mobile terminal falls down and a housing thereof is deformed by an impact due to the fall, a board thereof absorbs the deformation of the housing by moving in a plane direction to reduce the deformation of the board itself. Thus, the present invention has an effect of reducing the impact on components held on the board and is useful as a mobile terminal having a board support structure.

REFERENCE SIGNS LIST

[0061]	100 mobile terminal
[0062]	110 liquid crystal region
[0063]	120 key region
[0064]	10 front housing
[0065]	20 rear housing
[0066]	30 LCD module holding board
[0067]	40 main board
[0068]	50 key board
[0069]	60 LCD module
[0070]	70 LCD protection panel
[0071]	111a , 111b boss
[0072]	1111a , 1111b large-diameter cylindrical portion
[0073]	1112a , 1112b small-diameter cylindrical portion
[0074]	112a , 112b boss
[0075]	1121a , 1121b large-diameter cylindrical portion
[0076]	1122a , 1122b small-diameter cylindrical portion
[0077]	113a , 113b boss
[0078]	1131a , 1131b large-diameter cylindrical portion
[0079]	1132a , 1132b small-diameter cylindrical portion
[0080]	211a , 211b , 212a , 212b screw insertion hole
[0081]	221a , 221b small-diameter cylindrical portion insertion hole
[0082]	222a , 222b board pressing rib
[0083]	311a , 311b protruding seat
[0084]	331a , 331b protruding seat
[0085]	3111a , 3111b small-diameter cylindrical portion through-hole
[0086]	313 seat
[0087]	314a , 314b locking claw
[0088]	411a , 411b notch
[0089]	413 seat
[0090]	512a , 512b notch
[0091]	513a , 513b notch
[0092]	81a , 81b screw
[0093]	82a , 82b screw
[0094]	83a , 83b screw
[0095]	115 seat pillar

1. A mobile terminal having a board support structure, wherein at least one edge of a board is movable in a plane direction of the board with respect to a housing of the mobile terminal.

2. The mobile terminal having a board support structure according to claim 1, wherein the board is substantially rectangular and is movable in a longitudinal direction.

3. The mobile terminal having a board support structure according to claim 2, wherein the board is supported by a support member on a short edge side and at least one of short edges is fixed in a direction perpendicular to a plane of the board, and is movable in the plane direction of the board by sliding with respect to the support member.

4. The mobile terminal having a board support structure according to claim 3, wherein the support member sandwiches the board between one surface and other surface and tightens the board between the one surface and the other surface by screw fastening.

5. The mobile terminal having a board support structure according to claim 1, wherein two opposing edges of the board are movable in a direction perpendicular to the edges.

6. The mobile terminal having a board support structure according to claim 1, wherein one edge of the board is movable in a direction perpendicular to the edge.

7. The mobile terminal having a board support structure according to claim 1, wherein the mobile terminal is substantially rectangular when viewed from the plane direction of the board and includes a plurality of the boards divided in a longitudinal direction.

8. A housing comprising:

a board contained in the housing,

a first passing member passing through one edge of the board,

a second passing member passing through the other edge which is opposite to the one edge of the board,

a first contact portion of a first surface of the board located on a periphery of the first passing member or the second passing member, and

a second contact portion of a second surface of the board located opposite to the first contact portion across the board,

the board further comprises

a first through portion which the first passing member passes through,

a second through portion which the second passing member passes through,

wherein at least first or second through portion is larger than a diameter of the second passing member in a first direction in parallel with the surface of the board.

9. The housing according to claim 8, wherein

the first and second through portions are the same size as the diameter of the second passing member in a second direction in parallel with the surface of the board which is perpendicular to the first direction.

10. The housing according to claim 8, wherein

a distance between the first passing member and the second passing member can be changed in the first direction.

11. The housing according to claim 8, wherein

the board is substantially rectangular, and the first direction is in parallel with the surface of the board and along a long side of the surface.

12. The housing according to claim 11, wherein

a plurality of the boards are arranged in the first direction.

13. The housing according to claim 12, wherein

the plurality of the boards are partially overlapped in a direction which is perpendicular to the surface of the board.

14. The housing according to claim 13, wherein the plurality of the boards comprise, in their overlapping portion, a common through portion which a common passing member passes through.

15. The housing according to claim 14, wherein in the overlapping portion of the plurality of the boards, at least one board of the plurality of the boards comprises a first common through portion which is the same size as the diameter of the common passing member, and the other board comprises a second common through portion,

which is larger than a diameter of the common passing member in the first direction, and which is the same size as the diameter of the common passing member in the second direction.

16. A mobile terminal comprising a display module and a housing accordance to claim 15, wherein

the housing comprises a input/display surface, the input/display surface comprising a key region and a display region for viewing of a display of the display module,

the plurality of the boards are arranged in order of (a) a key board attached inside the housing in the key region, (b) a display module holding board for fixing the display module inside the display region, (c) a main board, in a view from the input/display surface side,

a first overlapping portions of the three boards (a), (b) and (c) are located between the key region and the display region, in a view from the input/display surface side, a second overlapping portions of the two boards (b) and (c) are located in an end portion opposite to the first overlapping portion,

the display region is surrounded by an edge of a surface of the (c) main board, in a view from the input/display surface side, and

the (b) display module holding board comprises a recessed portion in a opposite side of the input/display surface.

17. The mobile terminal according to claim 16, wherein the (b) display module holding board comprises a locking claw for locking the (c) main board, the locking claw protruding towards the opposite side of the input/display surface than the (c) main board.

18. The mobile terminal according to claim 16, wherein the (b) display module holding board and the (c) main board comprises the first common through portion in the first overlapping portion of the three boards (a), (b) and (c), and the (a) key board comprises the second common through portion in the first overlapping portion.

19. The mobile terminal according to claim 16, wherein at the second overlapping portions of the two boards (b) and (c), the (b) display module holding board comprises a first common through portion, and the (c) main board comprises a second common through portion.

20. The mobile terminal according to claim 16, wherein the second common through portion is provided in an end portion of the (a) key board opposite to the first and second overlapping portion.

* * * * *