



US 20140013622A1

(19) **United States**

(12) **Patent Application Publication**  
**BORROTO**

(10) **Pub. No.: US 2014/0013622 A1**

(43) **Pub. Date: Jan. 16, 2014**

(54) **FOOTWEAR WITH EXCHANGEABLE SHELLS AND SHELLS FOR SAID FOOTWEAR**

(52) **U.S. Cl.**  
CPC ..... *A43B 3/244* (2013.01)  
USPC ..... *36/100*

(71) Applicant: **Migdalia de las Mercedes Dulzaides BORROTO**, Madrid (ES)

(57) **ABSTRACT**

(72) Inventor: **Migdalia de las Mercedes Dulzaides BORROTO**, Madrid (ES)

(21) Appl. No.: **13/922,974**

(22) Filed: **Jun. 20, 2013**

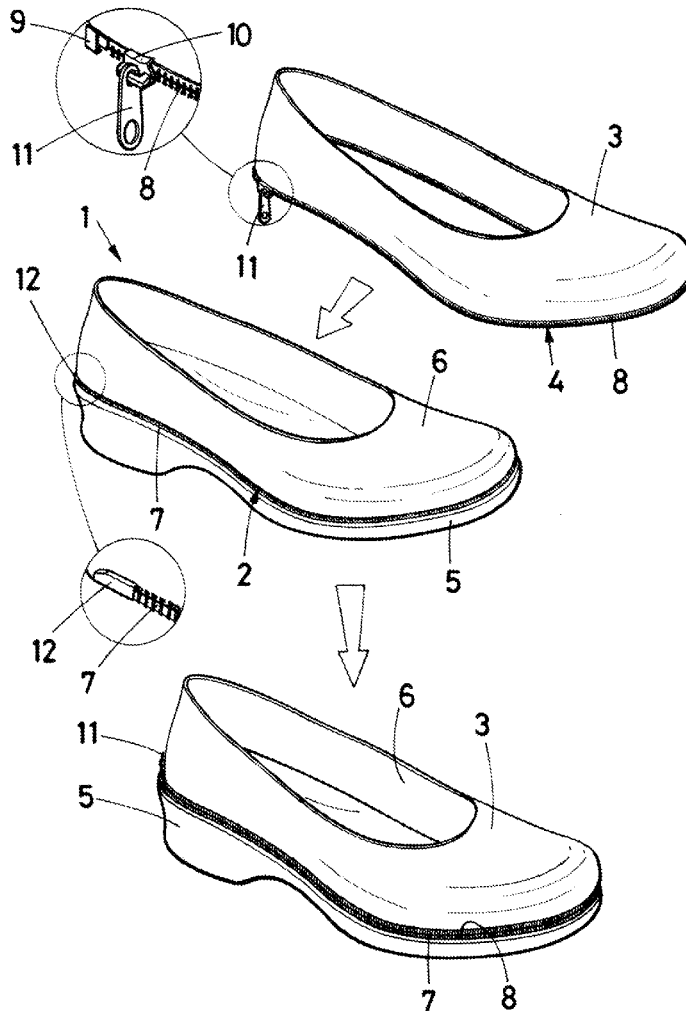
(30) **Foreign Application Priority Data**

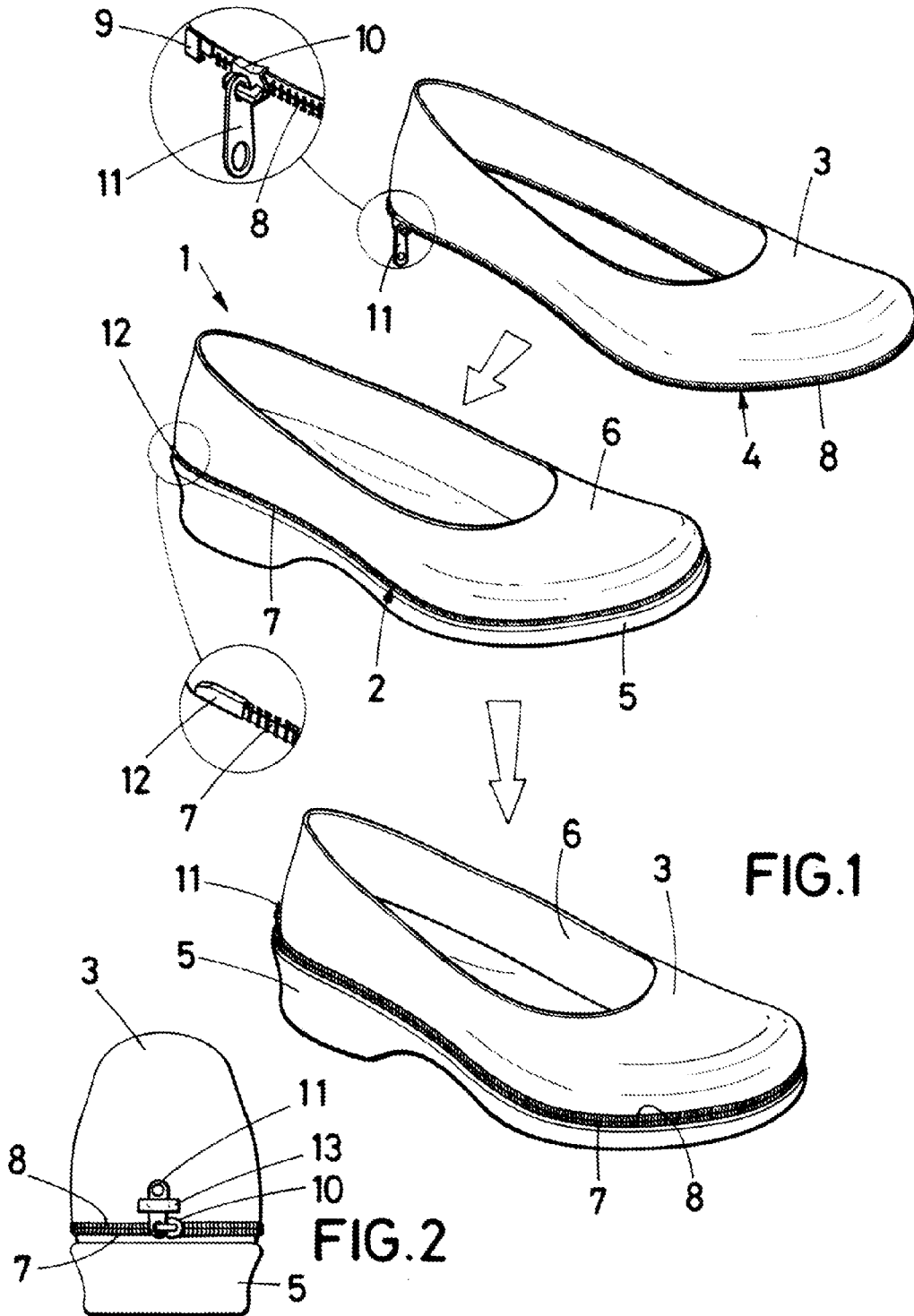
Jul. 16, 2012 (ES) ..... U201230767  
Nov. 29, 2012 (ES) ..... U201231271

**Publication Classification**

(51) **Int. Cl.**  
*A43B 3/24* (2006.01)

Footwear with exchangeable shells that comprises a base body (1), having first affixing means (2) and exchangeable shells (3) of different designs and/or ornaments that incorporate second affixing means (4), supplementary to the first affixing means (2), intended to be coupled to said first affixing means (2). The first affixing means may be part of a zipper or a hook and eye, or the shape of the footwear itself by using adaptable silicone shells or magnets, while the second affixing means are the supplementary means of the former. The first affixing means, in the case of the zipper, may be arranged on the sole or on the cut of the footwear. Coupling different shells with different ornaments, designs and/or colors is easily achieved with the invention.





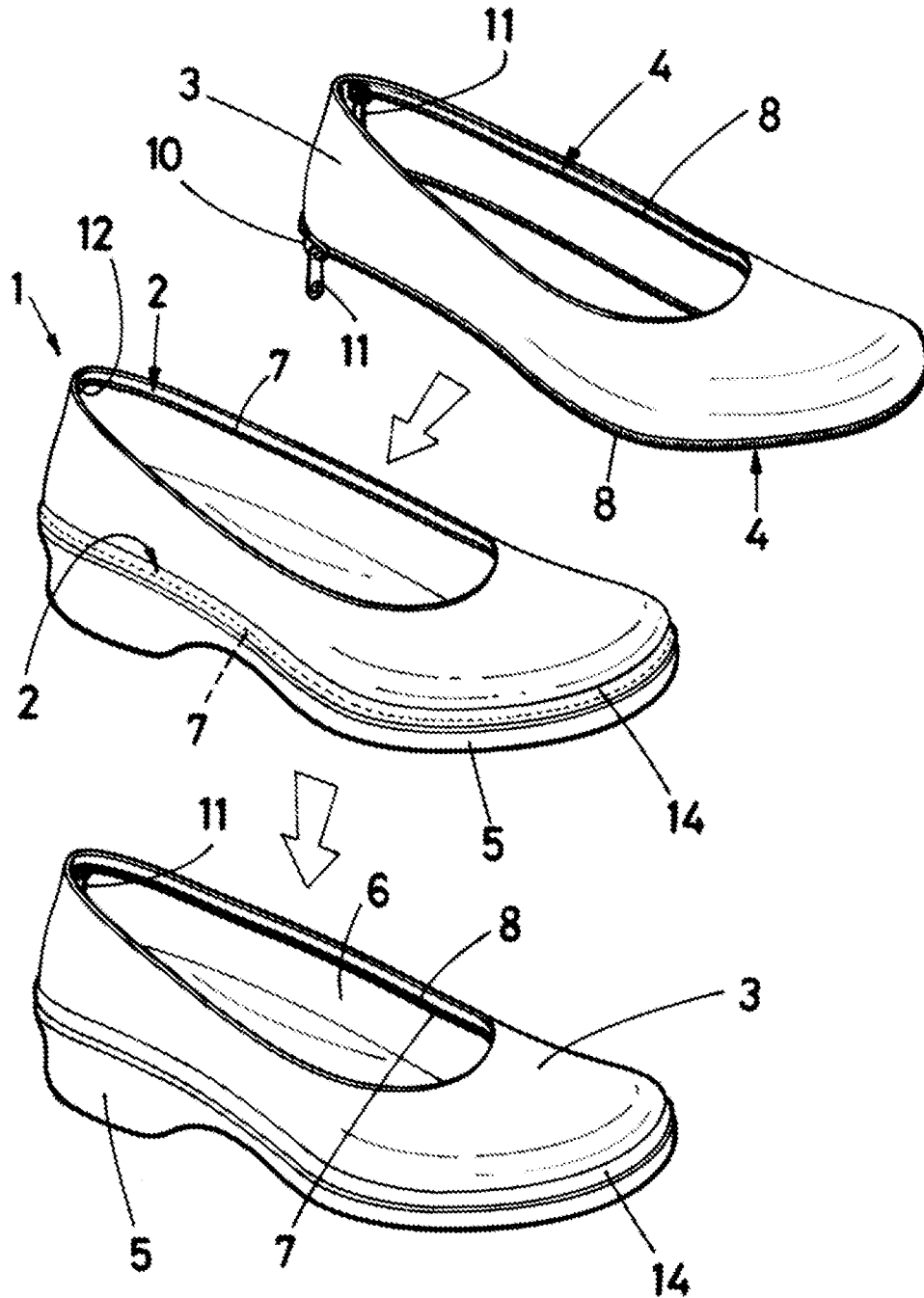


FIG.3

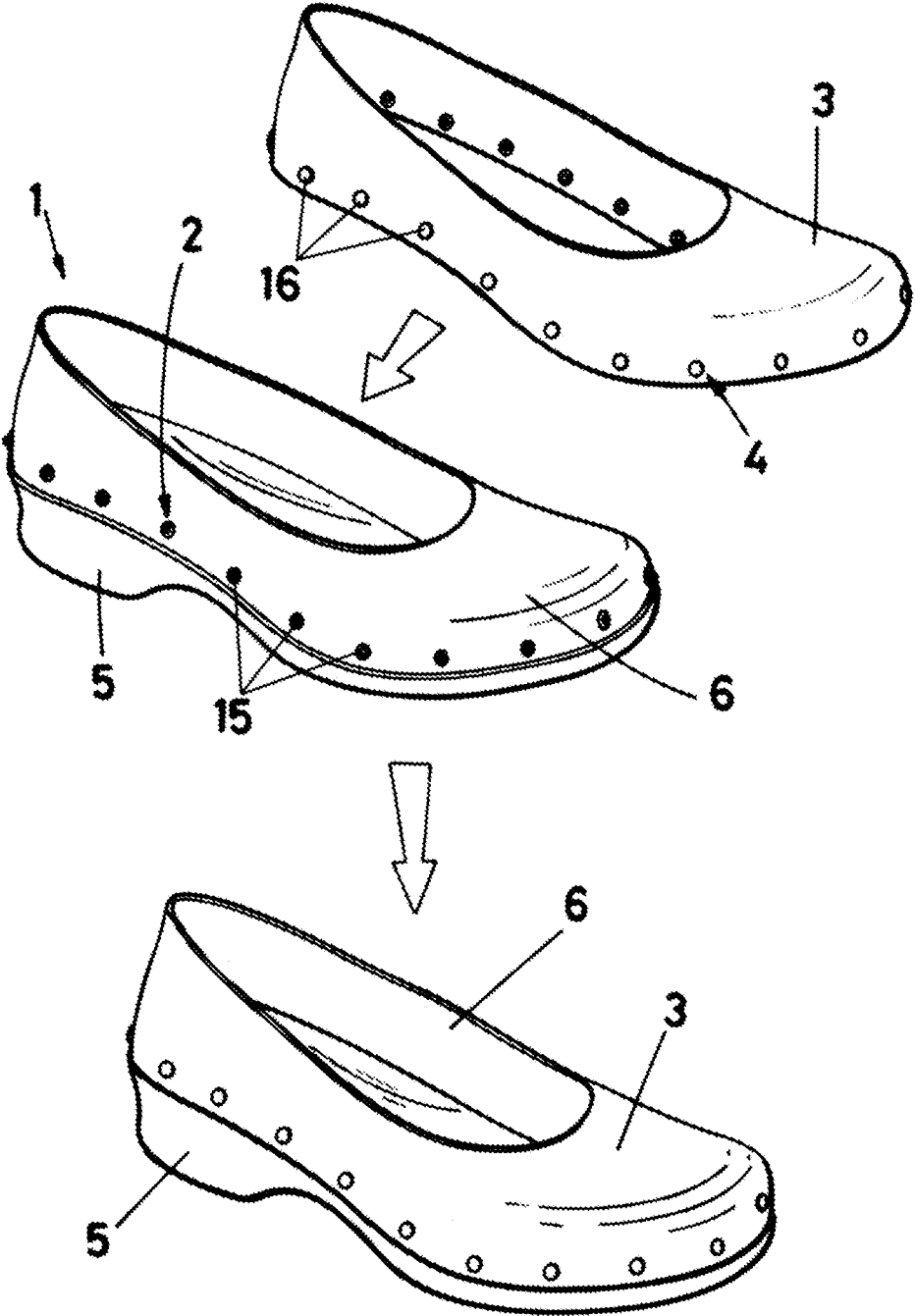


FIG.4

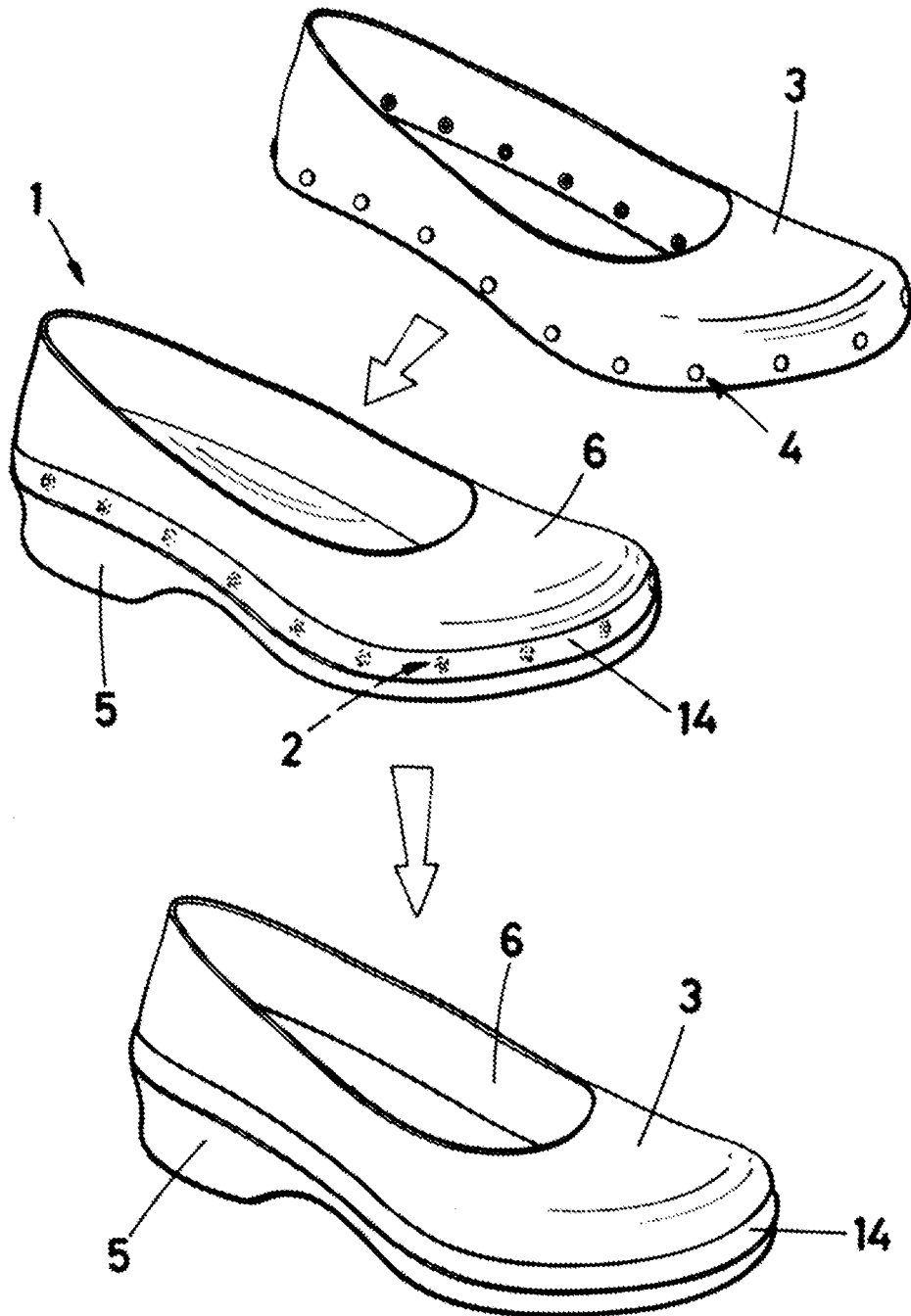
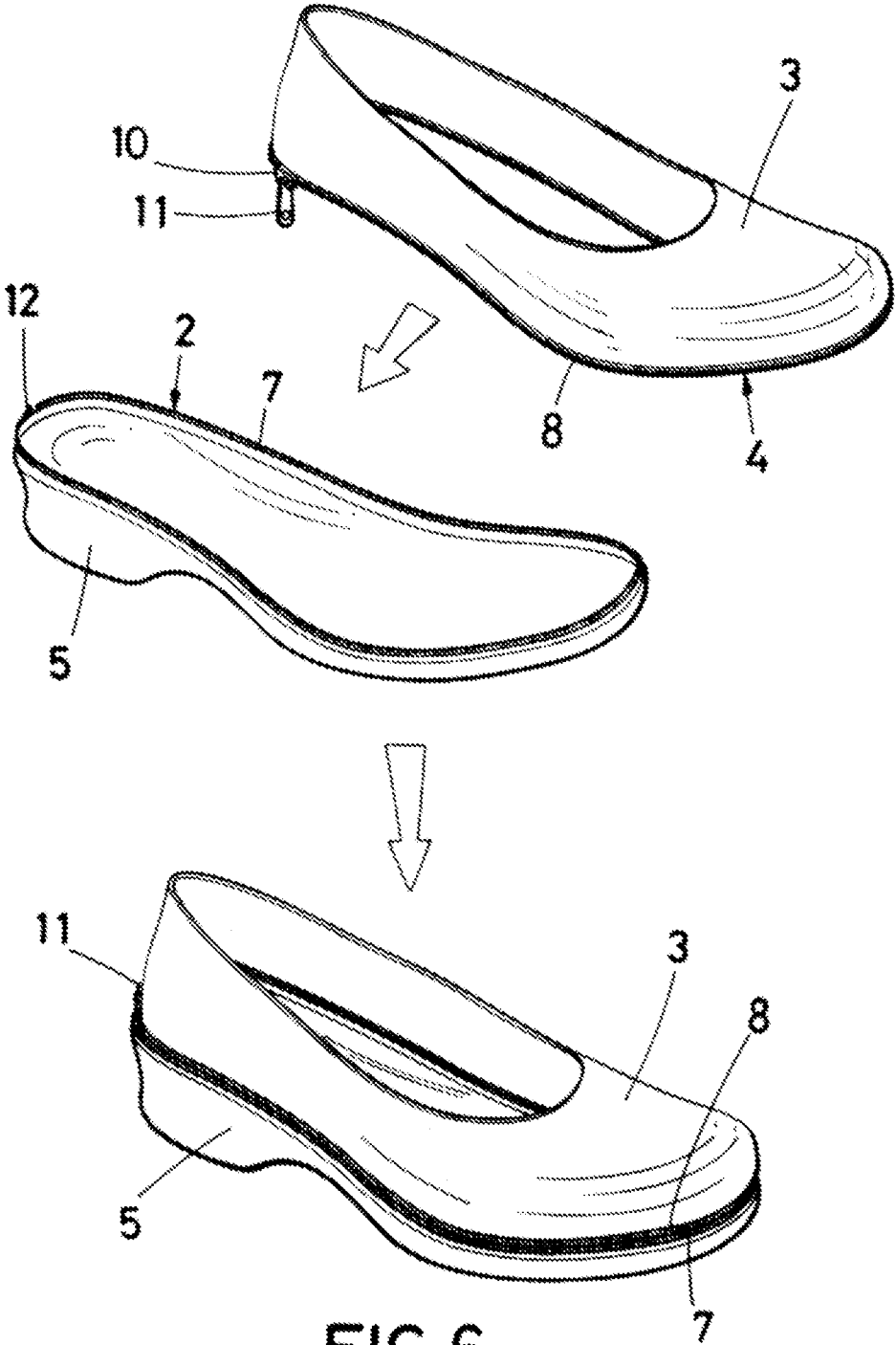
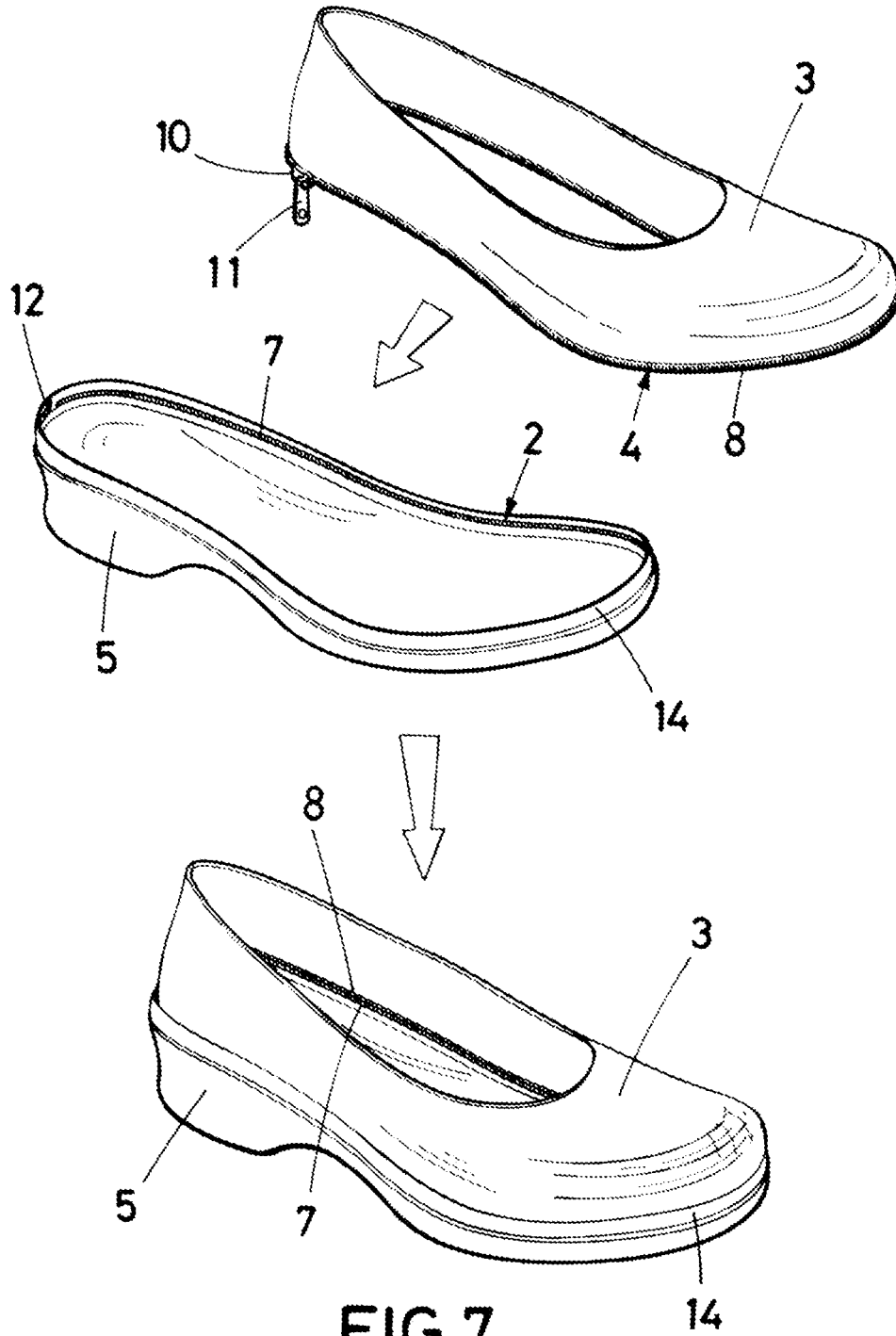
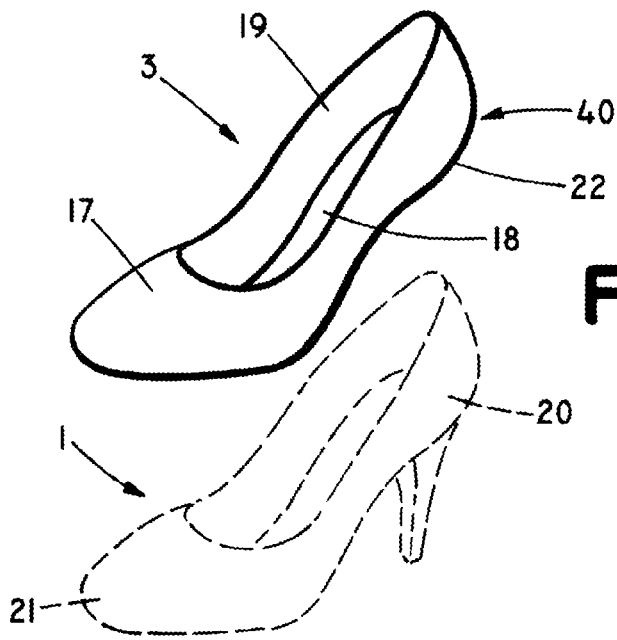


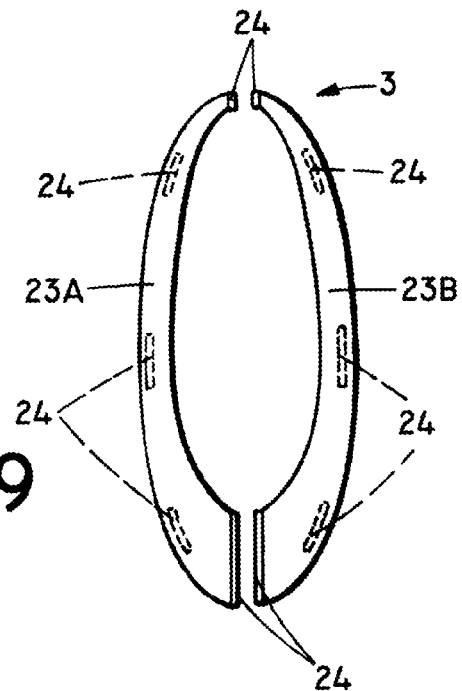
FIG.5



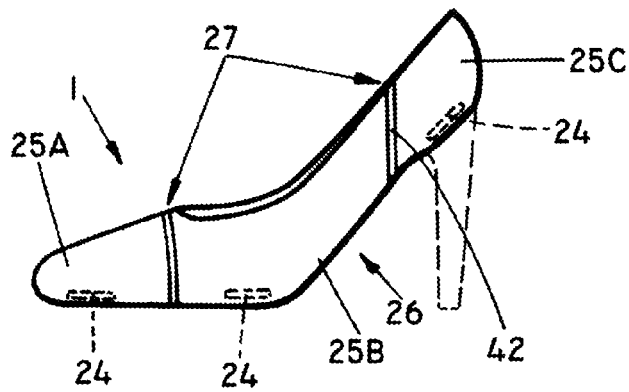




**FIG. 8**



**FIG. 9**



**FIG. 10**



## FOOTWEAR WITH EXCHANGEABLE SHELLS AND SHELLS FOR SAID FOOTWEAR

### OBJECT OF THE INVENTION

[0001] The present invention may be encompassed in the technical field of footwear, and more specifically, in terms of typical elements and accessories for footwear and the components thereof.

[0002] The main object of the present invention is footwear that stands out mainly because it incorporates a base body and shells coupleable to the base body that may be exchanged, allowing the coupling of different shells to the same footwear with different designs, materials, models, and/or colors.

### BACKGROUND OF THE INVENTION

[0003] When a user is interested in footwear of a specific design, material, or color, he or she needs to acquire a different footwear model according to his or her tastes, with the subsequent cost that the acquisition of each piece of footwear implies.

[0004] Another inconvenience that should be highlighted is the large amount of space required by all the shoe models each person has in his or her closet, requiring new, larger closets.

[0005] A further inconvenience related to this point is the large amount of space currently required in travel suitcases to store the various shoe models, increasing the weight of said suitcases and, consequently, the possible cost thereof.

[0006] Therefore, the object of the present invention is the development of a constructive form of footwear that allows configuring different shoe models with a reduced number of base shoes, developing footwear with exchangeable shells as the one to be described below and contained in its essential points in the first claim.

### DESCRIPTION OF THE INVENTION

[0007] The footwear proposed by this invention comprises a base body and an exchangeable shell, affixing means being defined in the shell and in the base body that allow coupling and uncoupling shells with different ornaments, models or colors to said base body.

[0008] The invention seeks to protect the footwear designed for the affixing of the exchangeable shells and the exchangeable affixed and mounted on the shoe. The exchangeable shells can be affixed directly to the base body or to the cut of the shoe, covering said cut, having in both cases affixing means of the exchangeable shell on the footwear, either on the base body itself or on the cut of the footwear.

[0009] In a first embodiment, the base body has first affixing means, such as half a zipper or a hook, for example, and the shells incorporate second affixing means, supplementary to the former, consisting of, for example, the other half of the zipper or an eye, intended to be coupled to the first affixing means of the base body.

[0010] Different embodiments have been envisaged, since the base body may be configured by means of a sole and a cut, the first affixing means being in the sole itself or in the cut, so the shell would be coupled in an enveloping arrangement to the cut, the closure being established by means of the coupling of the second affixing means to the first affixing means.

[0011] Another possibility contemplated by this invention for this embodiment is that the first affixing means of the base

body comprise first lower affixing means and first upper affixing means, wherein the first lower affixing means are located in a lower area of the cut or the sole, and the first upper affixing means are located in correspondence with the upper mouth of the cut, the second affixing means of the shells also comprising second lower affixing means that may be coupled to the first lower affixing means and second upper affixing means that may be coupled to the first upper affixing means. This way, the union between the shell and the base body in its lower and upper areas is ensured.

[0012] In another alternative embodiment of the invention, the base body may be configured by means of a sole incorporating the first affixing means, and the shells would be coupled by means of their second affixing means to the first affixing means of the sole, the footwear being thus defined by means of the coupling situation. This way, the shell would serve as the cut of the footwear.

[0013] Furthermore, and for any of the two embodiments, the possibility of the base body incorporating a flap that allows hiding the affixing means in the coupling situation between the base body and the shell has been envisaged.

[0014] The zippers, hook and eyes, magnets or others would be located between the affixing means used for the affixing of the shell to the base body, as well as the shape of the base footwear and the material of the shell that allow their coupling and affixing to the footwear. The affixing means used would be arranged in such a way that the so-called first affixing means would be arranged on the base footwear (either on the sole or on the cut), and the supplementary means, which we have called second affixing means, would be arranged on the exchangeable shells.

[0015] The footwear object of this invention therefore allows coupling different shells with different ornaments, designs, colors and/or models to the same base body in a simple manner, thus allowing the user to save by means of this solution, who would be able to use one base body combined with different shells to obtain different footwear. The foregoing also means a smaller occupation of space due to the shape and flexibility of the shell, which may be stored without using much space.

[0016] The proposed solution may also be combined with the possibility of connecting heels with different configurations and designs, according to the design of the shell, to the same base body. In that sense, the heel would incorporate a conventional affixing system, such as a screw, for example, which would be screwed to the base body in a simple manner, and would also be easily dismountable by unscrewing. This way, we propose the possibility of coupling a design heel matching the shell to the base body for a shell having a certain design.

[0017] The mounting and dismounting of the shell is carried out in a simple manner and allows coupling different shells with different designs, models, and/or colors to the same footwear, thus increasing the variation capacity of the footwear of a user at a very low cost and allowing said footwear to be comfortably stored in a very small space.

### DESCRIPTION OF THE DRAWINGS

[0018] In order to supplement the description being made and with the purpose of aiding a better comprehension of the features of the invention according to a preferred example of a practical embodiment thereof, a set of drawings representing the following in an illustrative rather than limitative manner accompany said description as an integral part thereof:

[0019] FIG. 1.—Shows a perspective view of an embodiment of the invention wherein the coupling between the shell and the base body may be observed, wherein the base body is formed by a sole and a cut, and the affixing means are constituted by a zipper.

[0020] FIG. 2.—Shows a lateral view of the embodiment of the previous figure in the coupling situation between the shell and the base body.

[0021] FIG. 3.—Shows a perspective view of another embodiment of the invention showing the coupling between the shell and the base body, wherein the base body is formed by a sole and a cut, and the affixing means are constituted by two lower and upper zippers.

[0022] FIG. 4.—Shows a perspective view of another embodiment of the invention showing the coupling between the shell and the base body, wherein the base body is formed by a sole and a cut, and the affixing means are constituted by a hook and eye.

[0023] FIG. 5.—Shows a perspective view of the embodiment of the previous figure, wherein the incorporation of a flap hiding the hook and eye has been envisaged in a supplementary manner.

[0024] FIG. 6.—Shows a perspective view of another embodiment of the invention showing the coupling between the shell and the base body, wherein the base body is formed by a sole, and the affixing means are constituted by a zipper.

[0025] FIG. 7.—Shows a perspective view of the embodiment of the previous figure, wherein the incorporation of a flap hiding the zipper has been envisaged in a supplementary manner.

[0026] FIG. 8.—Shows a general perspective view of an exchangeable shell, said shell being intended to be coupled to a base footwear.

[0027] FIG. 9.—Shows a plant view of the exchangeable shell according to an alternative embodiment.

[0028] FIG. 10.—Shows a lateral view of a heeled shoe incorporating the exchangeable shell, according to a new embodiment of the invention.

#### PREFERRED EMBODIMENT OF THE INVENTION

[0029] Based on the figures, several forms of a preferred embodiment of the footwear with exchangeable shell, object of this invention, are described below:

[0030] As shown in the figures, in general terms, the footwear object of this invention comprises a base body (1) having first affixing means (2), and exchangeable shells (3) of different designs and/or ornaments that incorporate second affixing means (4), supplementary to the first affixing means (2), intended to be coupled to said first affixing means (2).

[0031] FIG. 1 shows that the base body (1) is formed by a sole (5) and by a cut (6), and that the first affixing means (2) comprise a first half of the zipper (7), formed by a tape and teeth, and the second affixing means (4) comprise a second half of the zipper (8), formed by a tape and teeth.

[0032] FIG. 1 likewise shows that the second half of the zipper (8) also comprises the following elements: box (9), cursor (10), and pull-tab (11), and the first half of the zipper (1) comprises a tube or aglet (12) intended for the coupling of the box (9) and cursor (10) to facilitate the closing of the zipper. In addition, as an alternative solution (not represented), there is the possibility that the aglet (12) is found in the second half of the zipper (8) and that the other elements

described above: box (9), cursor (10), and pull-tab (11), are found in the first half of the zipper (7).

[0033] FIG. 2 shows a lateral rear view of the footwear, wherein the zipper in a closed situation can be observed, with the exchangeable shell (3) coupled to the base body (1), wherein the incorporation of fastening means keeping the pull-tab (11) gathered against the surface of the exchangeable shell (3), which may consist of a folding strip (13), is observed.

[0034] FIG. 3 shows another embodiment wherein the base body (1) comprises two first affixing means (2), upper and lower, wherein the first lower affixing means are located in the sole (5) or base of the cut (6), and the first upper affixing means are located in the mouth of the cut (6). In addition, the exchangeable shell (3) also comprises two second affixing means (4), upper and lower, which are arranged in a supplementary manner to the first affixing means (2) to ensure the coupling of the exchangeable shell (3) to the base body (1).

[0035] FIG. 4 shows, as an alternative, that the first affixing means (2) are configured by hooks (15), and the second affixing means (4) are configured by eyes (16) coupleable to the hooks (15). In another possible embodiment, not shown, the first affixing means (2) are configured by eyes and the second affixing means (4) are configured by hooks.

[0036] FIG. 3, 5 or 7 have envisaged the hiding of the affixing means (2, 4) in the coupling situation of the exchangeable shell (3) to the base body (1) by means of the use of a perimeter flap (14) covering said affixing means (2, 4).

[0037] In an embodiment alternative to the others, the base body (1) may be configured only by one sole (5), provided by the first affixing means (2) as shown in FIG. 6 or 7, to which the exchangeable shell (3) is coupled by means of the second affixing means (4). In this case, each one of said affixing means (2, 4) comprises two halves of a zipper (7, 8). FIG. 7 shows that the first half of the zipper (7) of the first affixing means (2) remains hidden by means of the perimeter flap (14).

[0038] According to an alternative embodiment of the invention, shown in FIG. 8, the exchangeable shell (3) comprises a single silicone coupleable piece (17) that in turn comprises a lower opening (18) for its coupling to the base footwear, in this case a heeled shoe; and an upper opening (19) for the insertion of the foot of the user. In addition, in this embodiment, the first affixing means arranged on the base body would be the curved shape of the base body itself, the heel (20) and the toe (21), while the second affixing means arranged on the exchangeable shell comprise a lower curvature (41), providing the coupleable piece (17) with an enveloping configuration similar to current silicone sleeves for mobile phones.

[0039] On the other hand, FIG. 9 shows the exchangeable shell (3) according to an alternative embodiment, wherein said exchangeable shell (3) comprises two lateral coupleable pieces (23A, 23B), intended to laterally envelop the base footwear (1), especially around the cut. In this case, the first affixing means, which have not been represented, are magnets, while the second affixing means arranged on the exchangeable shell would be magnets (24), so said lateral pieces (23A, 23B) are magnetically joined to each other on the toe (21) and heel (20) of the base footwear (1). In addition, said magnets (24) are likewise located in the perimeter edge of the base footwear (1), as well as in the lower part of the lateral pieces (23A, 23B), allowing a safe lateral fastening.

[0040] Finally, FIG. 10 represents a lateral view of a heeled shoe as the base footwear (1), which incorporates the exchangeable shell (3) according to another form thereof. In this embodiment, the exchangeable shell (3) comprises three independent coupleable pieces (25A, 25B, 25C) of a non-elastic material, such as leather, fabric, plastic or similar, intended to respectively envelop the toe (21), the intermediate area (26), and the heel (20) of said heeled shoe. This last embodiment provides the maximum degree of variability and exchangeability, allowing the user to modify the final appearance of his or her shoe according to his or her taste, since the user may select different designs and/or colors of the coupleable pieces (25A, 25B, 25C) for the toe (21), the intermediate area (26), or the heel (20) of said shoe. The figure shows how the coupleable pieces (25A, 25B, 25C) comprise magnets (24) in their lateral sides and in the binding extremities (27) with the adjacent pieces.

1. Footwear with exchangeable shell comprising a base body having first affixing means and exchangeable shells of different designs and/or ornaments incorporating second affixing means, supplementary to the first affixing means, intended to be coupled to said first affixing means.

2. The footwear with exchangeable shell according to claim 1, wherein the first affixing means comprise a first half of a zipper and the second affixing means comprise a second half of a zipper.

3. The footwear with exchangeable shell according to claim 2, wherein the first half of the zipper comprises a tape and teeth, and a box, a cursor, and a pull-tab and in that the second half of the zipper comprises a tape and teeth, and an aglet.

4. The footwear with exchangeable shell according to claim 2, wherein the second half of the zipper comprises a tape and teeth, and a box, a cursor, and a pull-tab and in that the first half of the zipper comprises a tape and teeth, and an aglet.

5. The footwear with exchangeable shell according to claim 3, wherein the exchangeable shell is provided with fastening means that keep the pull-tab gathered against the surface of the exchangeable shell.

6. The footwear with exchangeable shell according to claim 5, wherein the fastening means comprise a folding strip.

7. The footwear with exchangeable shell according to claim 1, wherein the first affixing means and the second affixing means are respectively configured by hooks and eyes or vice versa, wherein the eyes are coupleable to the hooks.

8. The footwear with exchangeable shell according to claim 1, wherein the exchangeable shell also comprises a perimeter flap, intended to cover said affixing means in the coupling situation.

9. The footwear with exchangeable shell according to claim 1, wherein the base body is formed by a sole and a cut.

10. The footwear with exchangeable shell according to claim 1, wherein the base body comprises two first affixing means, upper and lower, wherein the first lower affixing means are located in the sole or base of the cut, and the first

upper affixing means are located in the mouth of the cut. In addition, the exchangeable shell also comprises two second affixing means, upper and lower, which are arranged in a supplementary manner to the first affixing means to ensure the coupling of the exchangeable shell to the base body.

11. The footwear with exchangeable shell according to claim 1, wherein the base body is formed by a sole.

12. The footwear with exchangeable shell according to claim 1, wherein the exchangeable shell comprises a single silicone coupleable piece that in turn comprises a lower opening for its coupling to the base footwear and an upper opening for the insertion of the foot of the user, wherein the affixing means arranged on the base body are the curved shape of the base body itself, the heel, and the toe, while the second affixing means arranged on the exchangeable shell comprise a lower curvature, providing the coupleable piece with an enveloping configuration adaptable to the base body.

13. The footwear with exchangeable shell according to claim 1, wherein the exchangeable shell comprises two lateral coupleable pieces, wherein the first affixing means are magnets, while the second affixing means arranged on the exchangeable shell in its lateral coupleable pieces are magnets, so said lateral pieces are magnetically joined to each other on the toe and heel of the base footwear and wherein said magnets are likewise located in the perimeter edge of the base footwear, as well as in the lower part of the lateral pieces, allowing a safe lateral fastening.

14. The footwear with exchangeable shell according to claim 1, wherein the exchangeable shell comprises three independent coupleable pieces of a non-elastic material, such as leather, fabric, plastic or similar, intended to respectively envelop the toe, the intermediate area, and the heel of said shoe, wherein the coupleable pieces comprise magnets in their lateral sides and in the binding extremities with the adjacent pieces.

15. An exchangeable shell for the footwear claimed in claim 1, wherein it comprises affixing means to the base footwear, either in its sole or in the base of the cut, consisting of a tape and teeth of a zipper, or a box, cursor and pull-tab, or an aglet.

16. The exchangeable shell according to claim 15, wherein there are additional binding means on the upper edge of the shell, consisting of a tape and teeth of a zipper, or a box, cursor and pull-tab, or an aglet.

17. The exchangeable shell according to claim 15, wherein the exchangeable shell has binding hooks or eyes in its internal face.

18. The exchangeable shell according to claim 15, wherein the exchangeable shell is made as a single silicone coupleable piece.

19. The exchangeable shell according to claim 15, wherein the exchangeable shell comprises two lateral coupleable pieces, which comprise a series of magnets in their extremities and lateral sides.

20. The exchangeable shell according to claim 15, wherein it comprises three independent coupleable pieces of a non-elastic material, such as leather, fabric, plastic or similar, intended to respectively envelop the toe, the intermediate area, and the heel of the footwear.

\* \* \* \* \*