



(86) Date de dépôt PCT/PCT Filing Date: 1996/02/23  
 (87) Date publication PCT/PCT Publication Date: 1996/08/29  
 (45) Date de délivrance/Issue Date: 2009/08/04  
 (85) Entrée phase nationale/National Entry: 1997/08/22  
 (86) N° demande PCT/PCT Application No.: US 1996/002460  
 (87) N° publication PCT/PCT Publication No.: 1996/026601  
 (30) Priorités/Priorities: 1995/02/23 (US08/392,536);  
 1995/04/07 (US08/418,631); 1995/04/07 (US08/418,948);  
 1995/04/07 (US08/418,186)

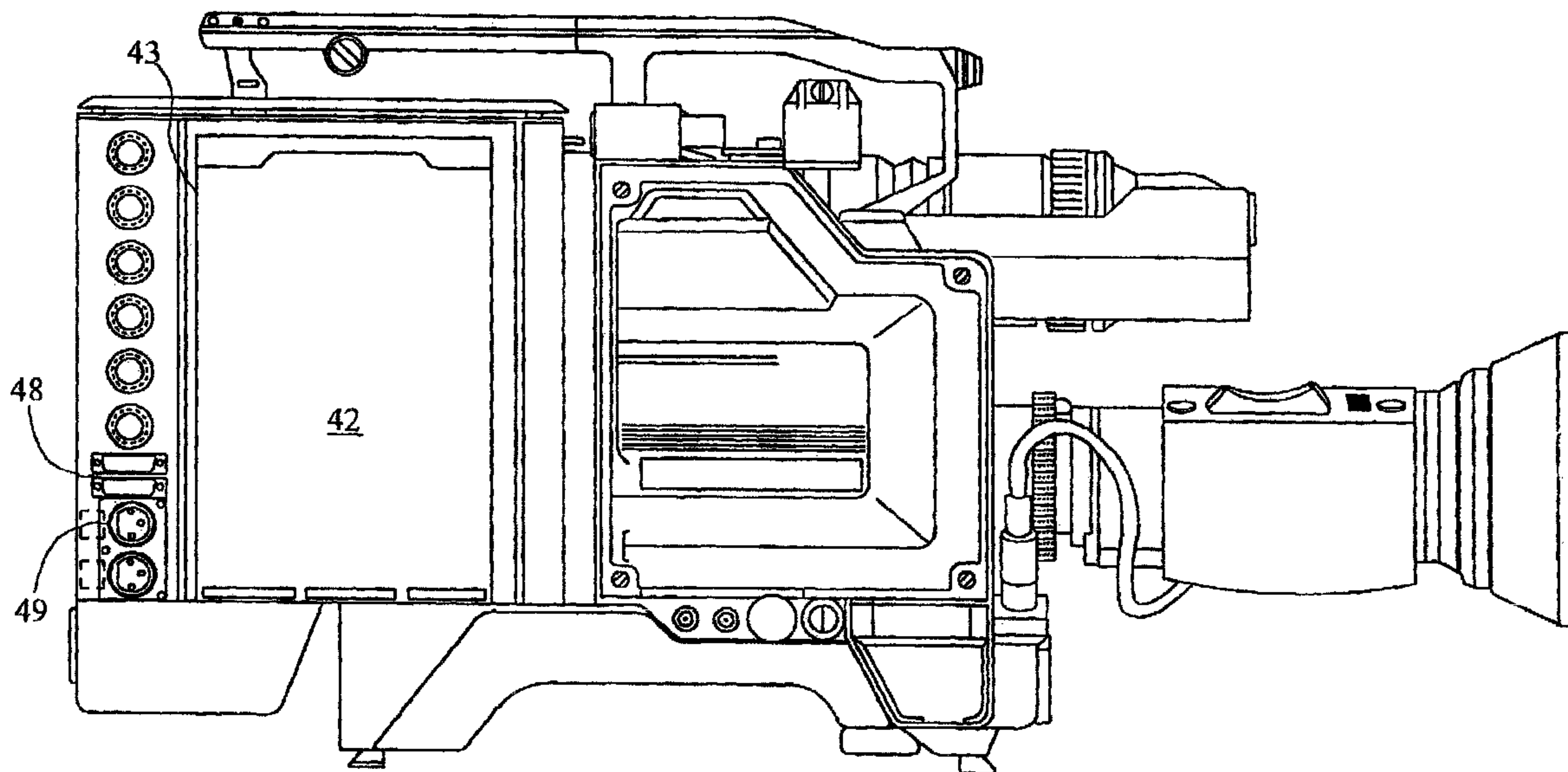
(51) Cl.Int./Int.Cl. *H04N 5/77* (2006.01),  
*G11B 27/034* (2006.01), *G11B 27/10* (2006.01),  
*G11B 27/34* (2006.01), *G11B 27/36* (2006.01),  
*H04N 5/225* (2006.01), *H04N 5/262* (2006.01),  
*H04N 5/28* (2006.01), *H04N 9/804* (2006.01),  
*H04N 5/781* (2006.01), *H04N 5/85* (2006.01)

(72) Inventeurs/Inventors:  
 FASCIANO, PETER, US;  
 MCKAIN, JAMES A., US;  
 KURTZE, JEFFREY D., US;  
 DER, HARRY, US;  
 DISCIULLO, STEPHEN M., US;  
 GREAVES, PAUL H., US

(73) Propriétaire/Owner:

(54) Titre : DISPOSITIF D'ENREGISTREMENT CINEMATOGRAPHIQUE UTILISANT DES SUPPORTS NUMERIQUES  
 NON LINEAIRES LISIBLES SUR ORDINATEUR

(54) Title: MOTION PICTURE RECORDING DEVICE USING DIGITAL, COMPUTER-READABLE NON-LINEAR MEDIA



(57) **Abrégé/Abstract:**

A digital media recorder including a video camera digitizing circuitry (35) and a digital computer readable and writable random access medium (39), such as magnetic or optical disk, in which sequences of digital still images are stored directly on the recording medium. Audio recording capabilities may also be provided. This system eliminates the need for video tape for recording video information, thereby providing the capability for a purely digital video system for capture, editing and playback.

(73) Propriétaires(suite)/Owners(continued):AVID TECHNOLOGY, INC., US

(74) Agent: SMART & BIGGAR

PCT

WORLD INTELLECTUAL PROPERTY ORGANIZATION  
International Bureau

## INTERNATIONAL APPLICATION PUBLISHED UNDER THE PATENT COOPERATION TREATY (PCT)

(51) International Patent Classification <sup>6</sup> : H04N 5/77	A3	(11) International Publication Number: WO 96/26601
		(43) International Publication Date: 29 August 1996 (29.08.96)

(21) International Application Number: PCT/US96/02460

(22) International Filing Date: 23 February 1996 (23.02.96)

## (30) Priority Data:

08/392,536	23 February 1995 (23.02.95)	US
08/418,631	7 April 1995 (07.04.95)	US
08/418,186	7 April 1995 (07.04.95)	US
08/418,948	7 April 1995 (07.04.95)	US

(71) Applicant: AVID TECHNOLOGY, INC. [US/US]; Metropolitan Technology Park, One Park West, Tewksbury, MA 01876 (US).

(72) Inventors: FASCIANO, Peter; 30 Coachman Lane, Natick, MA 01760 (US). McKAIN, Jim; 165 Shawsheen Road, Andover, MA 01810 (US).

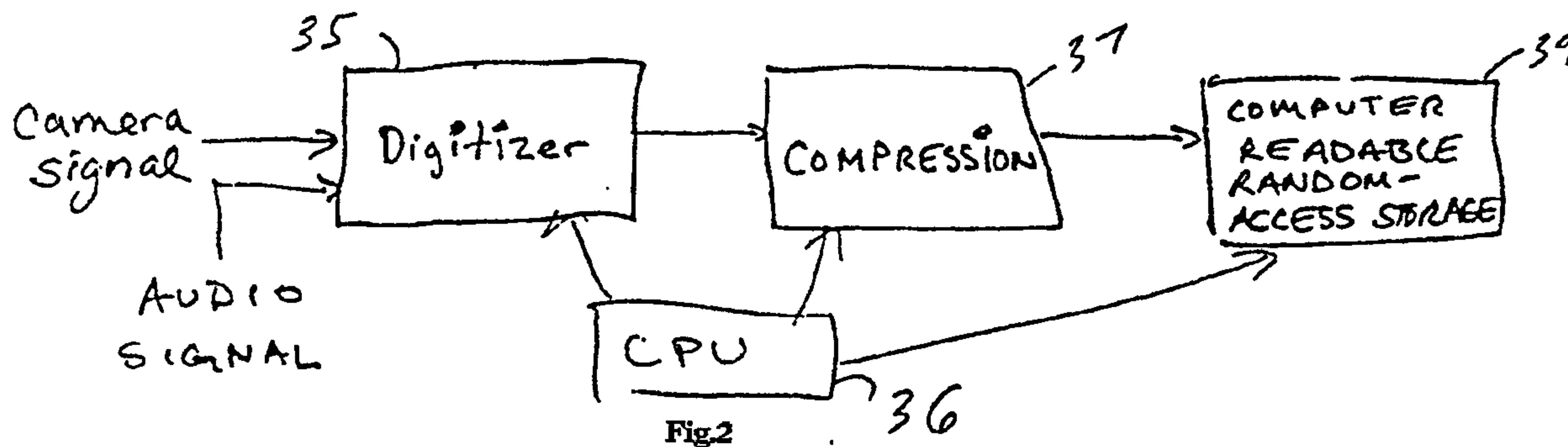
(74) Agent: GORDON, Peter, J.; Wolf, Greenfield &amp; Sacks, P.C., 600 Atlantic Avenue, Boston, MA 02210 (US).

(81) Designated States: AU, CA, CN, JP, European patent (AT, BE, CH, DE, DK, ES, FR, GB, GR, IE, IT, LU, MC, NL, PT, SE).

## Published

*With international search report.**Before the expiration of the time limit for amending the claims and to be republished in the event of the receipt of amendments.*(88) Date of publication of the international search report:  
26 September 1996 (26.09.96)

(54) Title: MOTION PICTURE RECORDING DEVICE USING DIGITAL, COMPUTER-READABLE NON-LINEAR MEDIA



## (57) Abstract

A digital media recorder including a video camera digitizing circuitry (35) and a digital computer readable and writable random access medium (39), such as magnetic or optical disk, in which sequences of digital still images are stored directly on the recording medium. Audio recording capabilities may also be provided. This system eliminates the need for video tape for recording video information, thereby providing the capability for a purely digital video system for capture, editing and playback.



**MOTION PICTURE RECORDING DEVICE USING  
DIGITAL, COMPUTER-READABLE NON-LINEAR MEDIA**

**Field of the Invention**

5 This invention relates to motion picture recording devices and processes.

**Background of the Invention**

Present day video recorders are typically a combination of a video camera with a video  
tape recorder which are constructed so as to be portable. They are often called camcorders or  
10 video tape recorders (VTR). For the purposes of this application, they are referred to as video  
tape recorders. Present day portable video tape recorders use a video tape, usually contained  
within a cassette, as the recording medium. Recording is done in numerous formats, including  
analog BETA and VHS format, and the digital D1 format. A major disadvantage of video tape  
recorders is that video tape allows only linear access to a given point on the video tape. That is,  
15 if the tape has just finished recording, in order to access the beginning of a recorded session  
located at the beginning of the tape, the tape must be rewound.

The problem of linear access to video tape recordings is most obvious in the field of  
broadcast television news. Typically, a reporting crew goes to a news location with a video tape  
recorder and record an event. Upon completion of recording, the tape must be rewound and then  
20 played back and transmitted, for example via satellite or microwave link, to a base station in a  
studio facility. At the base station, the information then can be edited into a final news program.

Editing of moving pictures is commonly done digitally, using a non-linear  
computer-based editing system such as the Avid/1 Media Composer available from Avid  
Technology, Inc. of Tewksbury, Massachusetts. Such a system typically digitizes, or, converts  
25 analog video signals into a digital, computer-readable format. Even if the video signal is from a  
digital video tape, linear access to information on the tape still presents the same problems. Tape  
recording, transmission and digitization are usually performed unless there is an actual live  
connection from the camera to the base station. Because of the delays in rewinding, playback  
and transmission of recorded information from a video tape, there is typically a half hour delay  
30 between the completion of recording of an event and the time an edited version of the recorded  
event actually can be broadcast by the base station. This delay is a significant competitive  
problem in broadcast news where the time to air is very important as stations strive to produce  
"up to the minute" news coverage and broadcast.

Today, electronic still cameras exist which record a still image on magnetic medium, such as a floppy disk. Such a camera is described in U.S. Patent No. 5,084,775, issued January 28, 1991, and assigned to Sony Corporation. However, the camera described in that patent records still images only, not full motion video images. In addition, computer video capture systems exist, such as the NuVista video capture card available from RasterOps/Truevision, Inc. Such systems, however, have not been reduced to the portable form of the present invention to perform live digital capture directly from a camera.

Additionally, it has been recently suggested by those skilled in the field of motion picture recording that numerous problems with a non-linear digital motion picture recorder are insurmountable. In particular, it has been suggested that there is a large image quality trade-off with increased recording time capability. Additionally, it has been suggested that, using disk-based media, a little shake of the camera would cause a disk crash. Finally, it has been suggested that the disk media is substantially costlier than tape.

Another problem in previous cameras was the need to store on the video tape a portion of a test pattern, typical for about a minute at the beginning of the tape, prior to other recording. Such a test pattern allowed other equipment to correct color levels when viewing the tape. Such preparation steps may cause a videographer to miss recording an important event or cause further delays.

#### Summary of the Invention

The present invention overcomes the problems due to the linearity of the recording medium in the video recorder by replacing the analog video tape with a digital, computer-readable and writable random-access recording medium, such as a magnetic or optical disk. In a one embodiment, by providing a smaller sized disk-drive, e.g. two and one-half inches in diameter, and shock and vibration isolation packaging, the risk of damage or disk failure is significantly reduced. Additionally, broadcast quality video is provided by a compressed stream of digital motion picture information at rates of four megabytes per second (4MBps). In one embodiment of this invention, the disk-based recording media records about 10 minutes of continuous video.

By providing a portable video recorder which records directly onto a digital, computer-readable and writable random-access (i.e., non-linear) medium, there is no longer any need for delays due to rewinding the tape, or for digitization of the video tape. With the advantages of non-linear recording and non-linear editing, further in combination with a



77787-37

-3-

non-linear broadcast system, the time to broadcast of a news event is drastically reduced. This reduction in the time to broadcast provides a significant competitive advantage for a broadcast news station.

5           Accordingly, in one aspect of the present invention, there is provided a digital motion picture recorder, comprising: a housing sized to be portable for use by an individual; a motion picture camera mounted in the housing, and providing a motion video signal as an output;  
10 means, mounted in the housing, for converting the motion video signal into a sequence of digital still images; a digital, computer-readable and writable random-access medium mounted in the housing and connected to receive and store the sequence of digital still images in a computer-readable  
15 file format; a motion picture editing system within the housing for enabling the individual to specify a sequence of segments of the sequence of digital still images stored on the digital, computer-readable and writable random-access medium; and means for reading at least a portion of the  
20 sequence of digital still images stored on the digital, computer-readable and writable random-access medium to generate a motion video signal therefrom, according to the specified sequence of segments.

In a second aspect of the present invention, there  
25 is provided an apparatus for digitally recording motion pictures, comprising: a housing sized to be portable for use by an individual; a motion picture camera mounted in the housing; means, mounted in the housing, for providing a sequence of digital still images from the motion picture  
30 camera; a digital computer-readable and writable random-access medium mounted in the housing and connected to receive and store the sequence of digital still images in a

77787-37

-3a-

computer-readable file format; and a processor mounted in the housing and executing computer program instructions comprising instructions which instruct the processor to, in response to user input: receive and store the sequence of  
5 digital still images from the motion picture camera into the digital computer-readable and writable random-access medium in the computer-readable file format, enable the individual to define a sequence of segments of at least the sequences of digital still images stored on the digital computer-  
10 readable and writable random-access medium, and read and output at least a portion of the sequence of digital still images from the digital computer-readable and writable random-access medium according to the defined sequence of segments.

15 In a third aspect of the present invention, there is provided an apparatus for digitally recording motion pictures, comprising: a housing sized to be portable for use by an individual; a motion picture camera mounted in the housing; means, mounted in the housing, for providing a  
20 sequence of digital still images from the motion picture camera; a digital computer-readable and writable random-access medium mounted in the housing and connected to receive and store the sequence of digital still images in a computer-readable file format; and an editing system,  
25 mounted in the housing, for enabling the individual to define a sequence of segments of at least the sequences of digital still images stored on the digital computer-readable and writable random-access medium and for reading and  
30 outputting at least a portion of the sequence of digital still images from the digital computer-readable and writable random-access medium according to the defined sequence of segments.



77787-37

-3b-

In another aspect of the present invention, there is provided a digital motion picture recorder. The recorder includes a housing sized to be portable by an individual. A motion picture camera is mounted on the housing, and provides a motion video signal as an output. A conversion circuit is mounted on the housing for converting the motion video signal into a sequence of digital still images. There is an output to a digital, computer-readable and writable random-access medium which is removably mounted in and attached to the housing and connected to receive the sequence of digital images for storing thereon in a computer-readable file format.

In another aspect of the present invention, there is provided automatic calibration circuitry and the method of calibration performed by such circuitry. In this aspect of the invention, the camera includes a switch which, when activated, causes the camera to generate a test pattern providing a signal including known colors, such as black and white, at known locations in the signal. In response to activation of this switch, the output of the camera is digitized by a decoder. The output of the decoder corresponding to each color is set to predetermined correct values for the color. For example, the predetermined correct values may be defined by some video color standard, such as used by the SMPTE. In one embodiment of this aspect of the invention, a frame of the test pattern may be stored with recorded video, such as with each recorded clip. Another aspect of this invention is the combination of this calibration circuitry and process with all other aspects of this invention.

In another aspect of the invention, there is provided an electrical circuit for digitizing, recording, storing and playing back a video signal. Such a circuit



77787-37

-3c-

includes a decoder which processes the video signal to generate digital video information which is applied to a pixel bus. The pixel bus is connected to an encoder, which converts information on the pixel bus into a video signal.

5 The pixel bus is also connected to a media data buffer and the primary media storage, such as a disk drive. A processor controls data flow from the decoder to either or both of the encoder and media data buffer and from the media data buffer to the encoder. The encoder may be connected to

10 a viewfinder in one embodiment of the invention, or to an output connection which provides an output video signal or both. If two pixel buses are provided, with one connected to the decoder and another connected to the media data buffer, an arbitrary number of encoders may be

connected to either or both of the pixel buses. In this case, it is possible to simultaneously view an input video signal using one encoder, such as from a live camera or another external source, while viewing recording video from the primary media storage.

Another aspect of the present invention is the combination of a motion video recorder  
5 which records from a camera onto a random-access medium, in combination with an editing system that allows for selection of clips recorded on the random-access medium and playback of the selected clips.

In the foregoing aspects of the invention, the digitized video information may be stored on a primary media storage using a form of demand-based flow control, since such digital video  
10 information does not require global synchronization. The video data written to and read from the primary storage into a media buffer is transferred to encoders and from decoders as the video data is needed. The video data may be stored as a data file according to an operating system executed by the central processing unit in the camera.

In the various aspects of the invention, audio data may also be recorded and played back  
15 with the video information.

In the various aspects of this invention, an embodiment may also include a means to compress the sequence of digital images before storage on a random access medium. The compression process used may treat each frame or field in the moving picture as a self-contained entity, without reference to or reliance on previous or subsequent frames or field, to improve  
20 editing capabilities.

In another embodiment of the various aspects of the invention, a moving picture editing system may be provided. This embodiment may also include a display and editing controls on the housing to permit editing and display of the sequence of digital images. The display may be a display screen on a side of the camera for displaying possible editing or file management  
25 functions in combination with a view finder for viewing motion picture sequences played back from the recording medium. The editing or management functions may be selectable using buttons placed adjacent to the display screen which cause the camera to perform a currently displayed function.

In another embodiment of the various aspects and embodiments of the invention, the  
30 digital recording medium of the digital motion picture recorder is a disk-type drive. In an embodiment, the disk-type drive is mounted in a separate companion housing which is detachable from the portable housing. The separate companion housing may be ruggedized.



In another embodiment of the various aspects and embodiments of the invention, the housing is in a two-part form, such that the housing is constructed to attach to a standard camera section.

### Brief Description of the Drawing

In the drawing,

Fig. 1 is a left side view of a digital motion picture recorder affixed to a video camera in accordance with the present invention;

Fig. 2 is a right side view of the digital motion picture recorder of Fig. 1;

Fig. 3 is an enlarged view of the compartment opening for receiving the recording medium of the digital motion picture recorder of Fig. 2;

Fig. 4 is a top cross-sectional view of the digital motion picture recorder of Fig. 2 illustrating a compartment for receiving a recording medium;

Figs. 5a and 5b illustrate the details of conductivity of the recording medium to the digital motion picture recorder in the compartment shown in Fig. 4;

Fig. 6 is a perspective view of the cartridge containing the recording medium;

Fig. 7 is a top view of the recording media package found inside the cartridge of Fig. 6;

Fig. 8 is a side view of the package of Fig. 7;

Fig. 9 is an end view of the package of Fig. 7;

Fig. 10 is an exploded perspective view of the recording media cartridge of Fig. 6;

Fig. 11 is a block diagram of the electronic circuitry which processes the camera and audio signals into media files for storage on a computer readable and writable random access storage medium; and

Fig. 12 is a more detailed block diagram of the block diagram of Fig. 11.

### Detailed Description

The present invention will be more completely understood through the following detailed description which should be read in conjunction with the attached drawing in which similar reference numbers indicate similar structures.

Fig. 1 shows a video camera/recorder 20 which includes a combination of a video camera 22 and a video recorder 24. The camera may be one of many types of video cameras, and may be, for example, either the HL-57 camera made by Ikegami Corporation of Japan, or the

"400" camera made by the Sony Corporation of Japan. The video camera/recorder 20 also typically has a handle 26 and shoulder support 28. On the video recorder 24 of the device, typically a display 30 is used to provide the user status and other pertinent information to be detailed below. The camera, electronic circuitry (such as described below in connection with Figs. 11-12) and recording medium may be in one piece, such that the camera 22 and recorder 24 are integrated, or may be in two pieces such that the camera 22 and recorder 24 are separable from each other. Many tape-based recorders used for news reporting are in such a two-part form, and often take the shape as shown in Japanese utility model 63-9907, also referred to as 56-134889, or Japanese patent 61-187165.

The output of the video camera is generally an analog video signal. Presently known cameras available from Ikegami have a 79-line bus for the purposes of communicating with a recorder, whereas Sony cameras use a 52-line bus. The recorder of the present invention provides physical and electrical connections to interface with the Ikegami, Sony or other bus, so that the motion picture recorder of the present invention receives, using techniques known in the art, the output of the camera as if the recorder were a videocassette recorder. The motion picture recorder also includes, using techniques well known to those skilled in the art, electrical contacts and connections (not shown) to turn the camera on and off, initiate recording, etc.

Fig. 2 shows the opposite side view of the camera shown in Fig. 1. On this side of the camera is found the recording media compartment 42 which is accessed via a door 43. External connections, such as 48 and 49, provide external video output, ETHERNET or other kinds of connections. A more detailed version of door 43 is shown in Fig. 3. It has a hinged section 44 and a handle 45 so that the door may be opened. Referring now to Fig. 4, a compartment 42 is an opening within the recorder and includes a connector 46 at the bottom of the compartment. The recording media, to be described below, connects to this connector 46 to provide electronic connection to the remainder of the circuitry of the recorder, located in area 47.

Fig. 5a shows details of the door 43 and how connection is made between the recording media and the connector 46. In Fig. 5a, the door 43a is closed and the recording media is fully engaged and connected with connector 46a. The door at 43b and connector 46b illustrate the open position at the onset or connection. Fig. 5b illustrates how a hinged protective flap 50 on the recording media rotates when a protrusion 51, near the connector 46, pushes it out of the way upon insertion of the recording media package.

The recording media of this embodiment of the invention will now be described in



connection with Figs. 6-10. Fig. 6 is an illustration of a top portion 100 of the recording media cartridge which is placed directly into the compartment 42 of the recorder. This cartridge is ruggedized for field use and typically is made of a hard plastic material. Ruggedization allows a disk drive package to withstand the rough treatments of sometimes hostile field environment in which video recorders are used. The drive package includes the use of thermally conductive material which draws excessive heat away from the package, thereby further reducing potential disk failure. To achieve this, the disk drive package is placed in a packed shell assembly which includes shock and vibration protection mechanisms for the media as well as heat dissipation materials in a manner to be described in connection with Figs. 7-10.

Referring now to Fig. 10, which is an exploded view of a cartridge made including the top portion 100 of Fig. 6, the cartridge has a first portion 100 and a bottom portion 110 which are adapted to meet each other along edges 108 to provide a substantially environmentally sound interconnection. A connector 112 is adapted to be placed in the notch formed by edges 106 and 104. This connector is connected to a media package 114 via a printed circuit board 116 and a ribbon cable 117. Printed circuit board 116 includes circuitry to divide an incoming data stream into two data streams to two separate media devices or to combine two outgoing data streams from the two separate media devices found in media package 114, which is described below. This division and combination is a process called striping. Each of the corners of the cartridge portions 100 and 110 is shown having shock and vibration absorbing material 118 which may be a material bearing the product name called SORBATHANE, available from Sorbathane, of Kent, Ohio. Such a material is a polyurethane elastomer such as described in U.S. patent nos. 4,346,205, 4,476,258, 4,777,739, and 4,808,469. The material 118 is formed in a shape that holds each of the corners of the media package 114, to absorb shocks and vibration.

Figs. 7, 8 and 9 are top, side and end views, respectively, of the media package 114. Referring to Figs. 7-9, two disk drives 120 are combined to form one media package 114. The disk drives 120 may have a thin thermally conductive pad to direct heat away from the disk drives 120. In the media package, disk drives 120 are enclosed in a heat sink package 122. Heat sink fins 124 are provided on the top, bottom, side and end faces of the package. A connector 126 provides connection to the ribbon cable 117. This connector connects to connectors 127 and 129 on the disk drives 120.

The disk drives 120 (and associated signal processing circuitry) should be able to record video and audio data streams at sustained rates of typically four (4) megabytes per second



(MBps). The TravelStar LP disk drive, having a diameter of 2 ½ inches and a capacity of 720MB is available from IBM Corporation of Yorktown Heights, New York. Disk drives of increased capacity increase the possible recording time of the device. Two disk drives are combined to form the media package 114. Of course, instead of a magnetic disk drive, any number of other types of digital random-access storage media may be used, such as optical drives, magneto-optical drives, DRAMs, flash memories, etc.

The disk drive 40 may be self-contained and includes electrical contacts 41 and 43 and mating contacts 45 and 47 in chamber 42 which serve to provide power to the disk drive, facilitating read/write functions and performing other related functions.

Having now described the mechanical structure of one embodiment of the motion picture recorder of this invention, the electronic circuitry for processing the motion pictures will now be described. The output of the video camera 22, which is generally an analog signal, is provided to the digitizing electronic circuitry such as shown in Figs. 11-12. The circuitry includes a digitizer 35, compression circuitry 37, and a computer-readable and writable random-access recording medium 39, such as a disk drive, as described above. While the digitizer 35 is used for those video cameras which produce an analog output signal, the digitizer would be unnecessary if the output of the video camera were to be digital. In some prior art systems, the images captured by the camera 31 of Fig. 1 is impressed upon a charge coupled device (CCD), well known to those skilled in the art. The CCD produces an electrical signal which is then processed (either digitally or with analog circuitry) to create either an analog video signal so that those signals may be passed to a conventional analog video cassette recorder. A digital video signal or a digital video information stream may be input directly to the compression circuitry 37 of Fig. 11, eliminating the digital-to-analog and analog-to-digital conversions associated with prior art devices from the circuitry within the camera 31.

However, to interface a recorder with presently existing analog output video cameras, the digitizer 35 is used. The digitizer may comprise a number of analog to digital (A/D) converters. These converters, well known to those skilled in the art, may accept the output of the analog video camera, and may comprise on A/D converter for each component Y, Cv and Cb signal from the video camera. Analog composite video may also be decoded into digital video data. Digital video may also be processed and synchronization signals may be removed to provide digital video information. A 4:2:2 format is typically used, but 4:1:1 and 4:4:4 formats may also be used. Other color formats may be used such as CMYK, HSI and RGB in 8, 16 or 32



bits formats. However, the Y, Cr, Cb format is preferable for use with the well known Joint Photographer's Expert Group (JPEG) compression standard, which may be used in this motion picture recorder. Other compression standards, well known in the art, such as MPEG, may also be suitable for use in the present invention. However, the use of JPEG compression simplifies editing because it does not rely on relationships of adjacent frames or fields, but instead each frame or field is self-contained. The audio signal is also digitized from a microphone. Digitization is unnecessary if a digital microphone is used. Digitizing and compression/decompression circuitry is described in U.S Patents 5,355,450, 5,045,940 and published Patent Cooperation Treaty (PCT) applications WO93/12481 and WO93/12613.

One difference between the systems described in the above patents and published applications and an embodiment of the present invention is that this embodiment does not require a frame grabber or frame buffer. The frame buffer is eliminated to reduce power consumption, which is desirable with a portable, battery-powered system. Its removal is possible by using a high throughput compression circuit such as the ZR36050 and ZR36015 JPEG compression circuits, available from Zoran of Santa Clara, California. These circuits provide full 60 field per second uncompressed data rates for 720 X 480 digital still images, which provides broadcast quality images. Due to the high throughput compression circuit, the compression circuitry of this embodiment does not require any stalling or metering mechanism for delaying processing of data through this pipeline. Other circuits are available for JPEG compression, such as from LSI Logic.

In order to maintain correct color of the captured images from the video camera, the signals from the camera may be calibrated to match well known and established SMPTE digital video color standards. In the absence of such calibration, the compression circuitry of one embodiment of the invention, based on the well known and established JPEG compression standard, may create errors because JPEG compression relies on frequencies derived from the colors present in the signal. Calibration is done automatically in response to actuation of a calibration selection switch 33 on the video recorder of Fig. 1. Such calibration typically is performed both periodically during use and whenever a camera is associated with new calibration and digitizing circuitry.

Calibration is performed by causing the camera to generate a reference signal. A commonly-used reference signal is known as "color bars" or a "test pattern." The test pattern for any given camera is in a predetermined format and is typically generated by the camera circuitry



in a known manner. Using this format, the overall signal level of the color bar signal is determined by the recorder, and thus the values output by the camera and, by inference, the CCD device are determined. These values are then mapped, using well known mapping techniques, to the SMPTE standard for digital color representations, of which an indication is stored in the recorder. More precisely, the A/D converters in the digitization process, described below, are adjusted so that the analog level output in the reference signal are translated to the corresponding SMPTE digital value. By creating this mapping in a deterministic way, the camera is thus forced into providing a SMPTE compliant digital video information. It is therefore no longer necessary to record color bars as is common with video tape. It may, nonetheless, be preferable to store a single frame of color bars digitally in connection with each recorded clip of compressed video.

These components shown in Fig. 11 as well as overall camera and recorder control operate under the control of a central processing unit (CPU) 36, such as the MC68341, available from Motorola, Inc., which runs under control of a real-time operating system such as the VXWorks operating system available from Wind River Systems of Alameda, California.

Management of media files and the disk controller may be performed by any number of known techniques, including that disclosed in U.S. Patent No. 5,267,351, assigned to Avid Technology and as disclosed in published PCT application WO 93/21636. Data files are in the DOS file format, supplemented by a media file format known as the Open Media Framework (OMF), defined in the OMF Interchange Specifications available from Avid Technology and available in the OMF Interchange Toolkit, also available from Avid Technology.

A more detailed block diagram of the circuitry shown in Fig. 11 will now be described in connection with Fig. 12. As described above, the digitizing circuitry is controlled by a central processing unit 100, such as the Motorola MC68341 processor, running a real-time operating control system. The central processing unit 100 has a main address and data bus 102 to which other parts of the system are connected.

Digitizing circuitry includes a GENLOCK circuit 104, which processes composite video signals, and a set of analog-to-digital converters 106, associated with a synchronization signal stripping circuit 108, which processes component video signals into a YUV 4:2:2 format digital signal. The composite video signal output by the GENLOCK circuit 104 is provided to a decoder 110, which converts it into a digital component information, similar to that output by the analog-to-digital converters 106. The horizontal synchronization signal (HSYNC), vertical synchronization signal (VSYNC), and the pixel clock (PIX) are used to synchronize the rest of



the circuit. The composite signal is provided along a bus 109 to a decoder 110 which translates it into a YUV 4:2:2 digital component signal. The composite signal is also directed to encoder 152.

5 The component digital signals are applied to a pixel bus 112 which directs them through a switch 114, such as a multiplexer, to a raster block converter 116 and memory 118, which generates picture blocks from the serial pixel data for use and processing according to the JPEG compression standard described above. The memory 118 typically has a size of 32Kx16. The transfer of pixel data to the raster block converter 116 bypasses the central processing unit (CPU) 100, i.e., pixel data is not written to the CPU's main memory 105. A JPEG processor 120  
10 interacts with the raster block converter 116 and memory 118 to take a digital still image obtained from the pixel data and compresses it using the JPEG compression standard to provide an output as indicated at 122. The JPEG compression may be adaptive to provide improved image quality while maintaining good compression levels in accordance with the teachings of U.S. patent 5,355,450.

15 As to audio signals inputted, a microphone or line-in signal indicated at 130 is applied to one or more audio coder and decoders (CODEC) 132 which provide a serial digital output 134. The coders are not necessary if the input signal is digital, such as from a digital microphone, digital audio tape, compact disc or other digital source, or if the output signal is digital. The sampling rate may be any desired rate, but typical rates for audio include 44.1KHz,  
20 22KHz and 48KHz. 8, 16 or 32-bit formats may be used, among others. It should be understood that the invention is not limited to any particular digital audio format. Additionally, they may receive digital input via the QSPI bus 136 to convert them to analog output signals at 138. The serial audio data 134 and the compressed video data 122 are applied to a pipeline control circuit 124. The pipeline control circuit 124 is controlled using synchronization control information  
25 from a synchronization controller 126 to direct the data into a compressed data buffer 128 typically implemented as a dynamic RAM. A suitable size for this buffer is 2Mx32 and it is typically implemented logically as a ring buffer. The pipeline control circuit is implemented in accordance with the teachings of U.S. Patent 5,045,940 and PCT publication WO 93/12481. The CPU 100 controls synchronization controller 126, pipeline control circuit 124 and disk  
30 controllers 140 to direct the flow of the video and audio data between memory 128 and the disk storage 142. Two disk controllers are used for performing conventional striping. However, one controller may be used to send commands to circuitry on the drive package, as shown at 116 in



Fig. 10, which divides an incoming stream or combines an outgoing stream of data in response to commands from a single disk controller 100. Striping may be performed at the word level, or at block or byte levels. The disk controllers and associated bus to the disk may be either IDE or SCSI controllers, or comply with some other standard. It should be understood that the invention is not limited to the type of disk controller.

The pipeline controller provides a form of local synchronization using demand-based flow control of the media data between the encoders and decoders and the computer-readable storage. The movement of data on the pixel bus is through the compressed data buffer and to the storage is intermittent, but has an average flow that is comparable to the continuous, synchronized flow of a video signal. This flow control accommodates for statistical variations in flow due to disk accesses, memory management and other impact on the flow due to the other operating system activities. The flow control ensures that an encoder receives data when the data is needed and that data is read from a decoder without being dropped. An additional benefit of using flow-controlled media data is that no pre-roll time is needed to lock to an incoming source or to lock to an output frequency and phase.

This system may also be provided with the capability of providing an output video signal generated from the digitized video signal. For example, the pixel bus 112 may be connected to an overlay circuit 150. The output of the overlay circuit 150 and the composite signal 109 may be provided to an encoder 152. The output of the encoder may be provided back to the camera which has an input for the view finder 154. Additionally, this signal may be provided to monitor 156. In one embodiment of the invention, the camera's view finder 154 receives a signal not only from the camera, but also from an alternate source. Using this capability, the motion picture recorder may have a controller 158 and an associated memory 160 which may provide additional status information via the view finder in connection with the video being recorded. Such status information may be an indication of battery level, time codes, time of day, function performed (e.g., recording or playback), etc.

The central processing unit 100 also has associated with it a programmable read-only memory, such as a flash memory 101, in which program information is stored and a dynamic RAM controller 103 and dynamic RAM 105, which are common in the art, for storing volatile data while processing. Typically the memory 101 contains an operating system and other programming code which is kept in non-volatile storage. A suitable size for this memory 101 is 4M. A suitable DRAM size is 4Mx16.



The moving picture recorder may also include an additional encoder 162 which provides a composite-out video signal with VITC/LTC control information. The input to the encoder may be anyone of the pixel bus 112, the output of decoder 110, bypassing pixel bus 112, the output of A/D converters 106, bypassing pixel bus 112 or the output 109 of genlock circuit 104. Alternatively, each of these inputs may be applied to its own separate encoder. The outputs of these encoders may be fed to a simple switch allowing for the selection of one of these outputs. Additionally, an ETHERNET connection 164 may also be provided.

In one embodiment of the invention, two pixels buses 112 may be used. The first bus is the record bus which connects to the outputs of the decoders 110 and 106, and to the inputs of the JPEG compression circuitry, via the input side of the switch 114 to the roster-to-block converter 116, and the encoders 162 and 152. The second bus is the playback bus which connects to the output of the JPEG decompression circuitry, via the output side of the switch 114 and the inputs of encoders 162 and 152.

In one embodiment of this invention, the GENLOCK circuit 104 may be a Raytheon 22071 GENLOCK circuit. The decoder 110 may be a Raytheon SAA7151 decoder. The encoders 152 and 162 may also be either a Raytheon or TRW 22191 full video encoder. The ETHERNET circuit, audio modules and disk controller are available in a variety of forms and are available from a number of suppliers.

Because the recording media in this system allows for direct computer access, being already in a different format, the media package containing the hard drives, described above, can be simply removed from the recorder 24 and connected directly to a computer system which may be used to edit or broadcast the recorded video, such as the Avid Media Composer, Avid News Cutter, and Avid AirPlay Systems, all of which are available from Avid Technology, Inc. of Tewksbury, Massachusetts. The disk drive package is of an external physical shape and electrical connection configuration to facilitate its insertion into a suitable "docking station" on the above computer systems. This facility greatly reduces the time from videography to broadcast over prior art techniques described above.

The display 30 shown in Fig. 1 provides further advantages over the prior art. In prior art recorders, the linear recorder performs the function of recording and perhaps playback of the material recorded on the single videocassette in the system. Editing of the material must be delayed until the videocassette is mounted in an analog video editor, or, more recently, a non-linear video editor after the video material has been digitized. One aspect of the present

invention provides a digitized, compressed-form material which may be readily edited. The recorder of Fig. 1 may contain an editing system, such as the editing system described in U.S. Patent 5,267,351 and PCT published application WO93/21636, the disclosure of which is incorporated by reference herein. The editing system is also described in U.S. Patent Application  
5 Publication No. US2005/053352. The inclusion of the editing system allows a user to edit the video material recorded at the recording site, even prior to, or in lieu of, editing in a studio. This is particularly advantageous if the material must be broadcast immediately. Therefore, the video and audio signals may be recorded, edited and broadcast from the field in a very short period of time. During editing, information is played  
10 back through the digital video pipeline through either the view finder or other display. During editing it is possible to display video through an external video port, or to have the external video port transmit live video. The arrangement of a variety of video inputs and outputs provides switching capabilities in the camera similar to those found in a television broadcast studio.

The recorder 62 also may include a number of pressure-sensitive or other suitable  
15 controls 64 well known to those skilled in the art and used, for example, in automatic teller machines and consumer-oriented camcorders, to provide recording and edit functions for the material displayed on display 30. The display 30 may be of a LCD or other suitable thin panel type.

Having now described a few embodiments of the invention, it should be apparent to  
20 those skilled in the art that the foregoing is merely illustrative and not limiting, having been presented by way of example only. Numerous modifications and other embodiments are within the scope of one of ordinary skill in the art.

For example, digital-to-analog conversion circuitry may be eliminated from the camera because processing of analog signals is no longer necessary.

25 Additionally, although the media package is described herein as removable, it need not be removable. Additionally, disk drives may be external to the camera, for example, in a rack mount. Rather than record to disk, an output may be directed to a computer network, such as an ATM network, or a transmitter, such as a cellular, satellite, or microwave or phone link. By providing removable disk drives, a disk drive becomes filled with recorded video material, a  
30 new, empty disk drive can be inserted to replace the filled drive, similar to replacement of a video tape. It is also possible to have two hard disk drive packs, and thus two receptacles in the video recorder 24 of the type shown in Figs. 3 and 4. With such a system, continuous recording



from one disk drive to the next can enable an indefinite amount of time to be recorded without loss of information due to switching of recording media.

These and other modifications are contemplated as falling within the scope of the invention as defined by the appended claims.

77787-37

-16-

CLAIMS:

1.           A digital motion picture recorder, comprising:  
a housing sized to be portable for use by an individual;  
a motion picture camera mounted in the housing, and  
5 providing a motion video signal as an output;  
means, mounted in the housing, for converting the motion  
video signal into a sequence of digital still images;  
a digital, computer-readable and writable random-access  
medium mounted in the housing and connected to receive and  
10 store the sequence of digital still images in a computer-  
readable file format;  
a motion picture editing system within the housing for  
enabling the individual to specify a sequence of segments of  
the sequence of digital still images stored on the digital,  
15 computer-readable and writable random-access medium; and  
means for reading at least a portion of the sequence of  
digital still images stored on the digital, computer-  
readable and writable random-access medium to generate a  
motion video signal therefrom, according to the specified  
20 sequence of segments.
2.           The digital motion picture recorder of claim 1,  
further comprising a means to compress the sequence of  
digital still images which are received by the random access  
medium.
- 25 3.           The digital motion picture recorder of claim 1,  
further comprising a display and editing controls on the  
housing to edit and display the sequence of digital still  
images.



77787-37

-17-

4. The digital motion picture recorder of claim 1, wherein the digital medium comprises a disk-type drive.

5. The digital motion picture recorder of claim 4, wherein the disk-type drive is mounted in a disk drive housing detachable from the portable housing.

6. The digital motion picture recorder of claim 5, wherein the disk drive housing is ruggedized.

7. The digital recorder of claim 1, further including means for calibrating the motion picture signal to a digital video color standard.

8. The digital recorder of claim 1, further including an electronic circuit for automatic calibration of a motion video signal to a digital color standard, comprising:

a source of a motion video signal;

15 a selectable source of a test pattern having predetermined colors at predetermined locations therein generated according to characteristics of the video signal source;

20 a decoder for converting the motion video signal to a sequence of digital still images conforming to the digital color standard;

means for setting a mapping in the decoder of motion video signal levels to color levels in the digital color standard according to the test pattern in response to a selection of the source of the test pattern.

25 9. An apparatus for digitally recording motion pictures, comprising:

a housing sized to be portable for use by an individual;

77787-37

-18-

a motion picture camera mounted in the housing;

means, mounted in the housing, for providing a sequence of digital still images from the motion picture camera;

5 a digital computer-readable and writable random-access medium mounted in the housing and connected to receive and store the sequence of digital still images in a computer-readable file format; and

10 a processor mounted in the housing and executing computer program instructions comprising instructions which instruct the processor to, in response to user input:

receive and store the sequence of digital still images from the motion picture camera into the digital computer-readable and writable random-access medium in the computer-readable file format,

15 enable the individual to define a sequence of segments of at least the sequences of digital still images stored on the digital computer-readable and writable random-access medium, and

20 read and output at least a portion of the sequence of digital still images from the digital computer-readable and writable random-access medium according to the defined sequence of segments.

10. The apparatus of claim 9, further comprising:

25 a display on the housing for displaying presently selectable editing operations; and

controls on the housing and adjacent the display for allowing a using to select a displayed editing operation.



77787-37

-19-

11. The apparatus of claim 9 or 10, further comprising:

a display on the housing for displaying presently selectable file management operations; and

5 controls on the housing and adjacent the display for allowing a user to select a displayed file management operation.

12. An apparatus for digitally recording motion pictures, comprising:

10 a housing sized to be portable for use by an individual;

a motion picture camera mounted in the housing;

means, mounted in the housing, for providing a sequence of digital still images from the motion picture camera;

15 a digital computer-readable and writable random-access medium mounted in the housing and connected to receive and store the sequence of digital still images in a computer-readable file format; and

20 an editing system, mounted in the housing, for enabling the individual to define a sequence of segments of at least the sequences of digital still images stored on the digital computer-readable and writable random-access medium and for reading and outputting at least a portion of the sequence of digital still images from the digital computer-readable and writable random-access medium according to the defined  
25 sequence of segments.

SMART & BIGGAR  
OTTAWA, CANADA

PATENT AGENTS

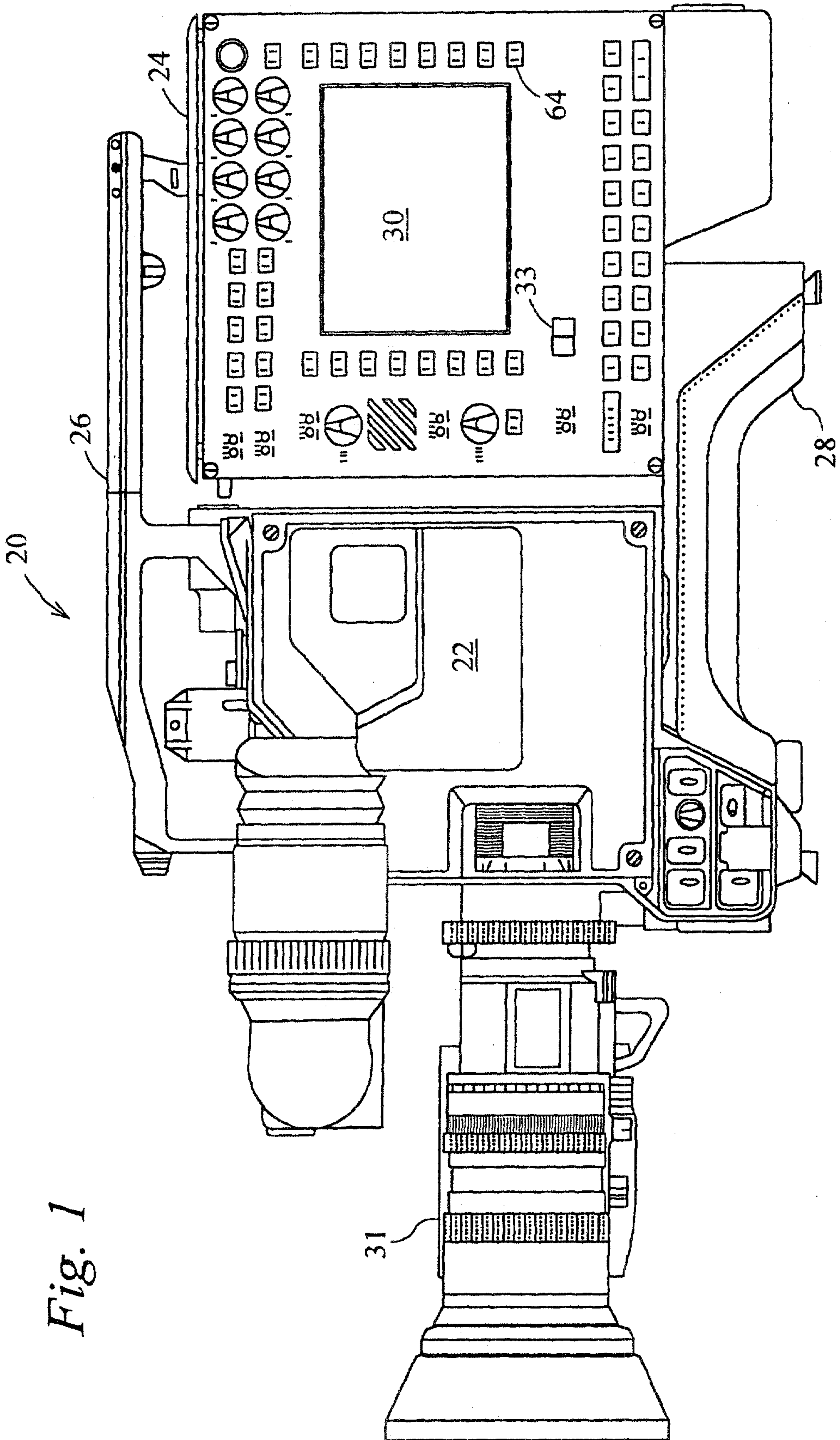
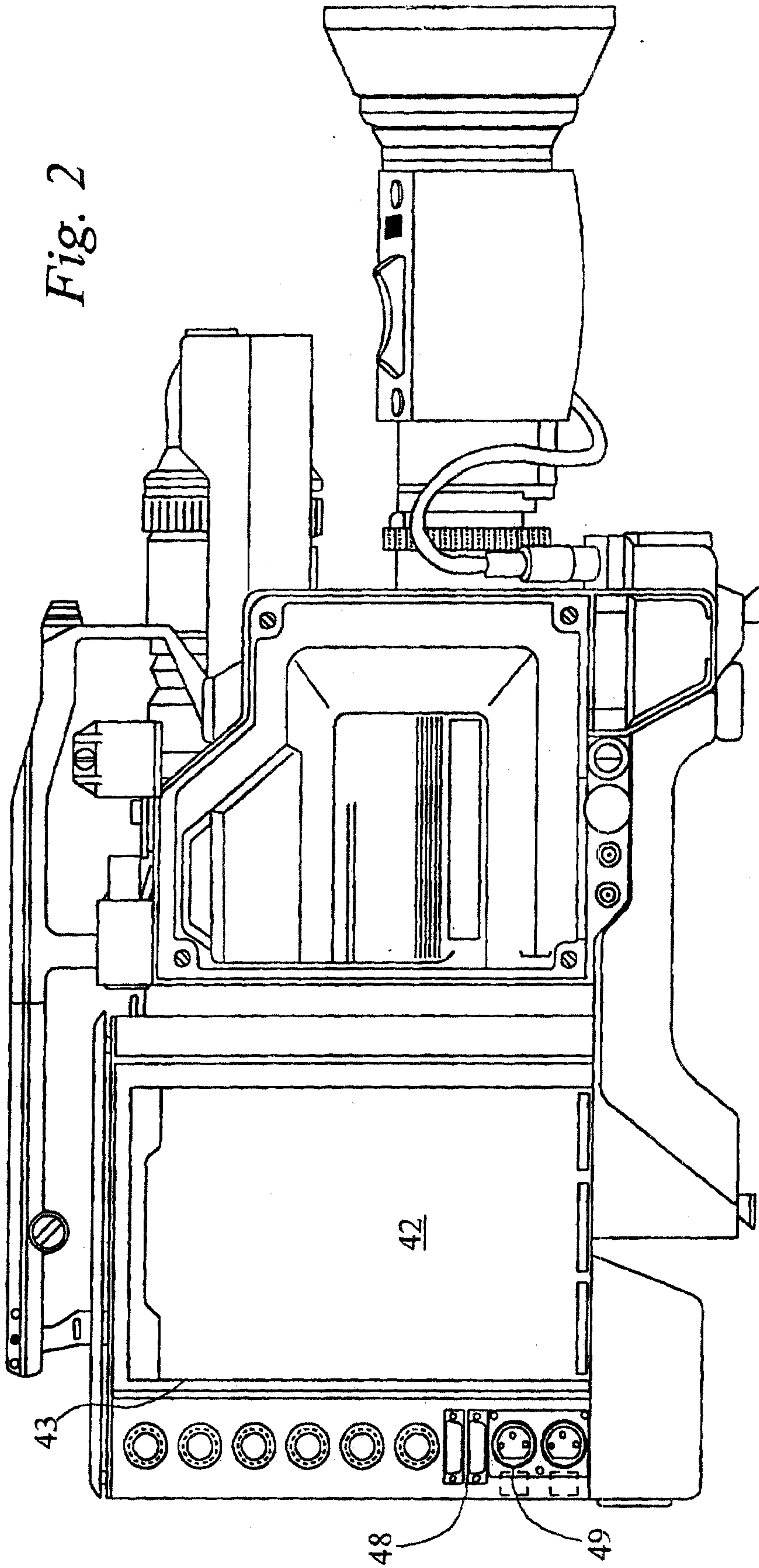


Fig. 1



Fig. 2



3/12

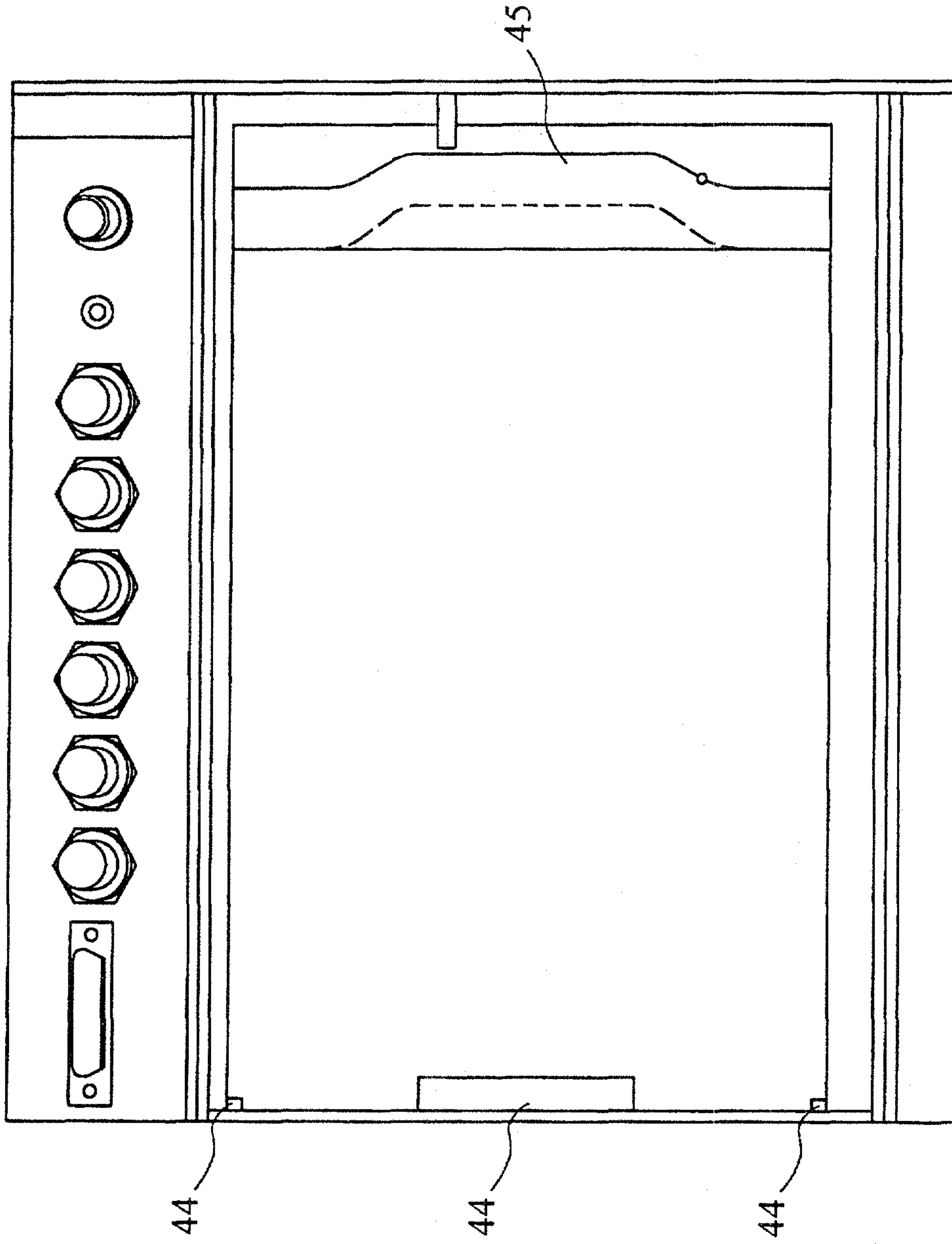
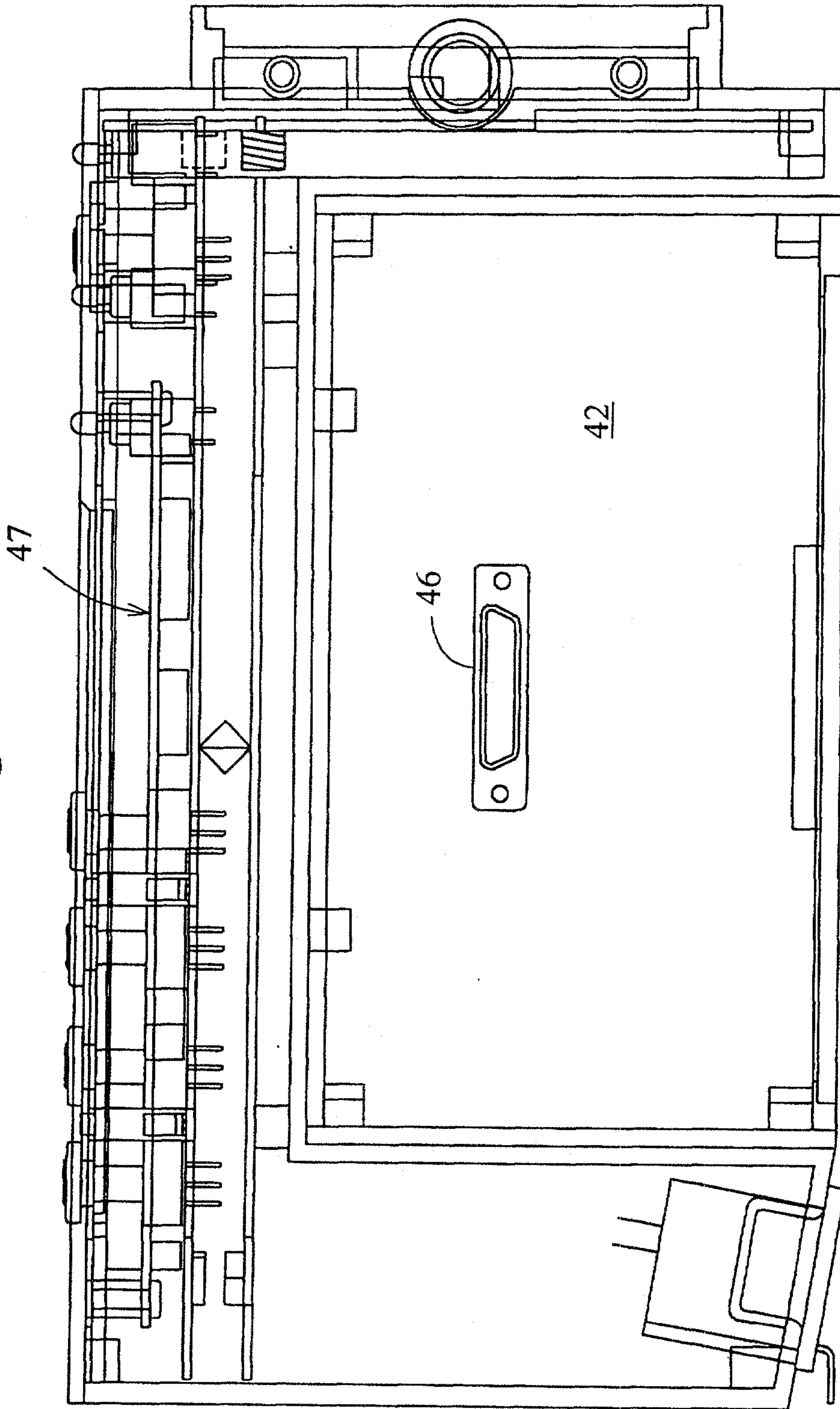


Fig. 3



4/12

Fig. 4



5/12

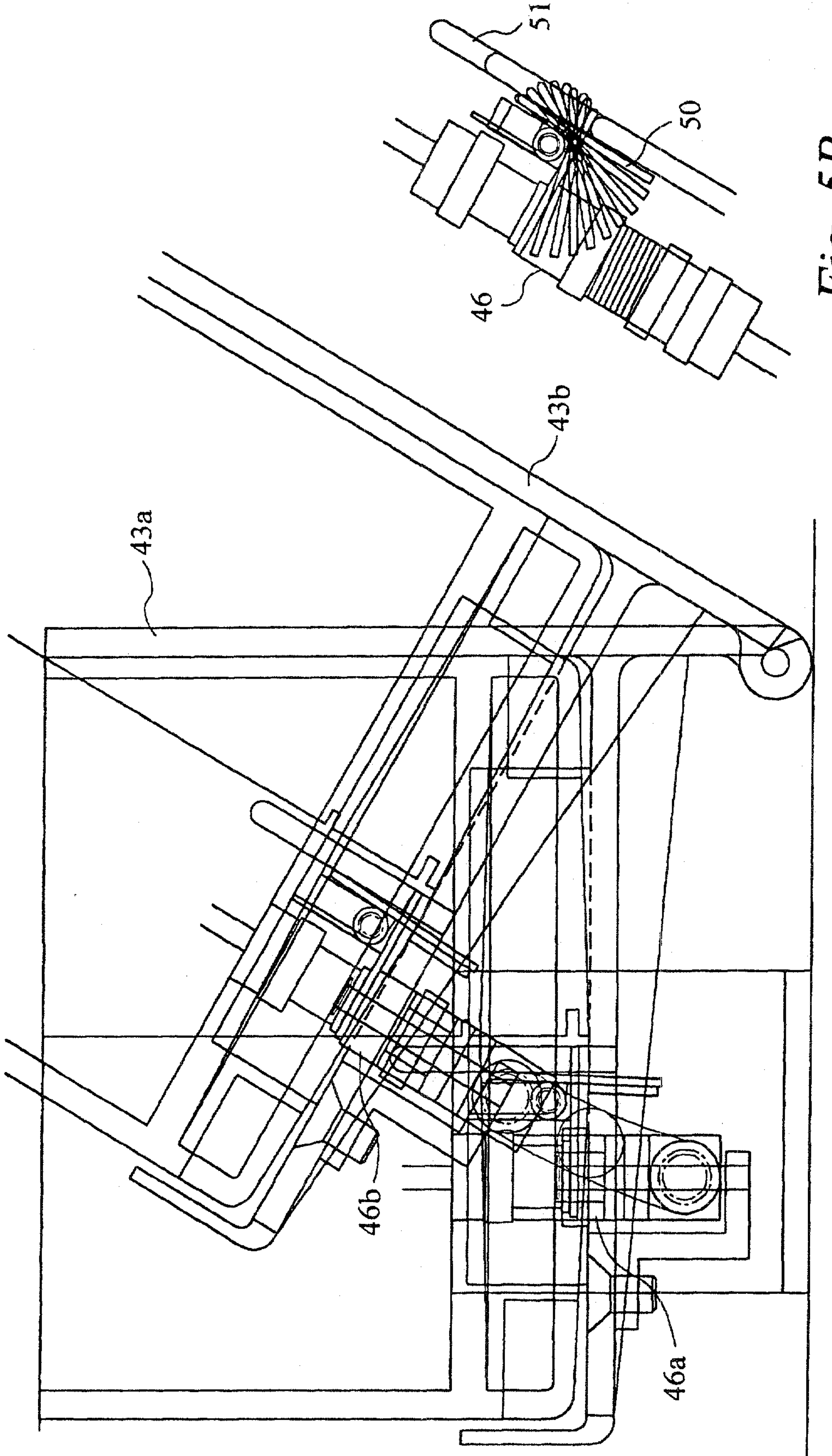


Fig. 5B

Fig. 5A



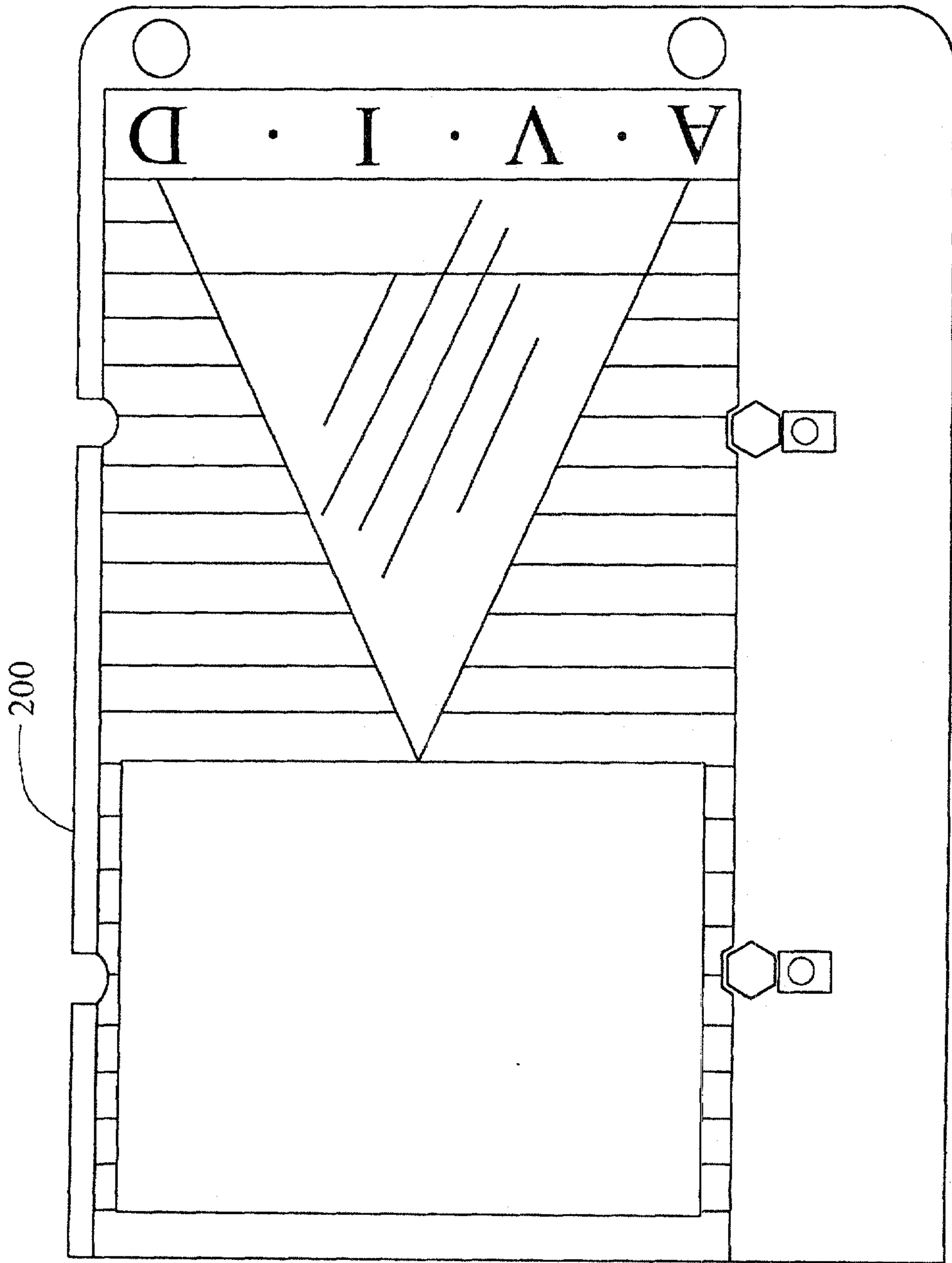


Fig. 6

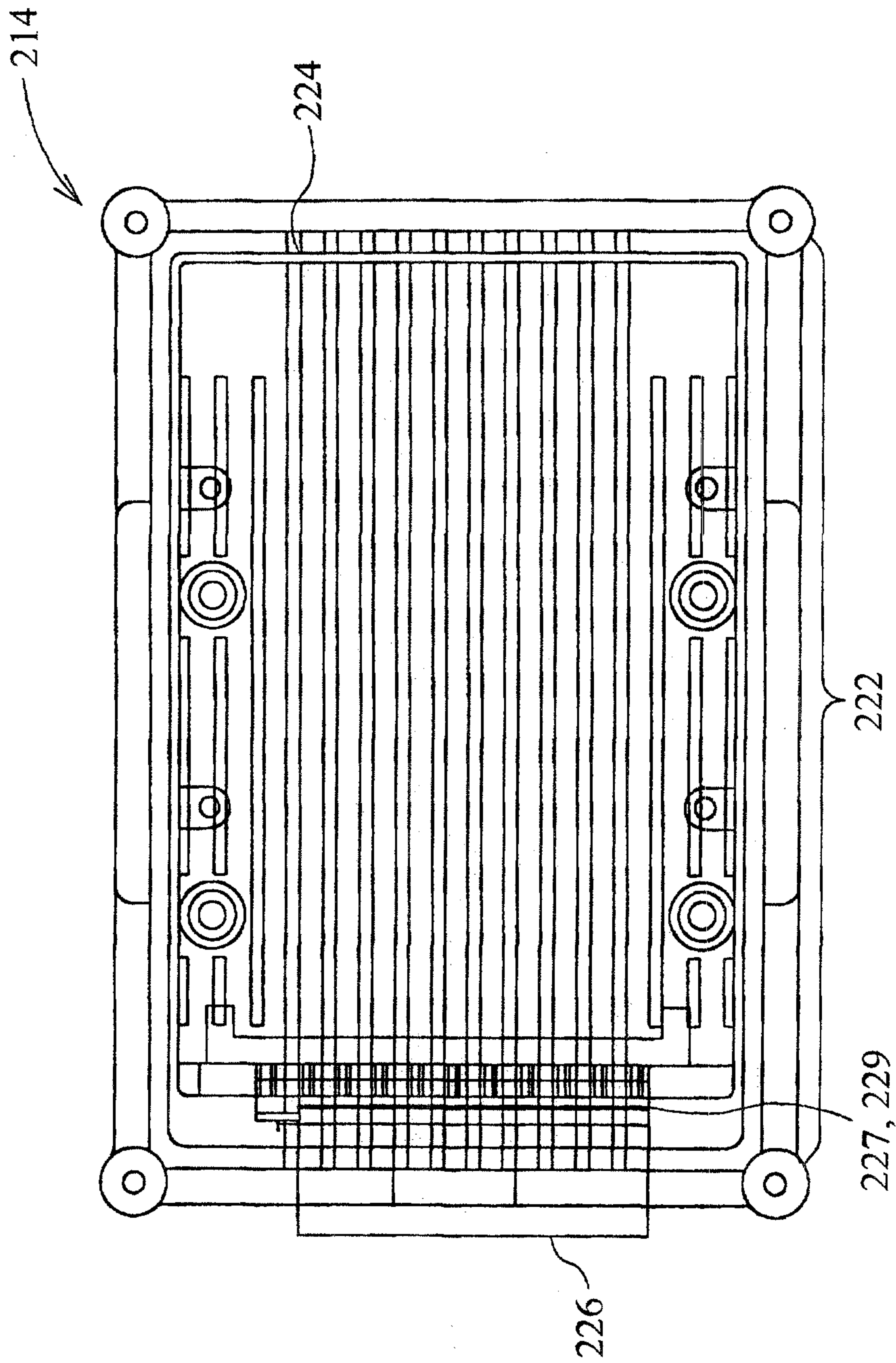


Fig. 7



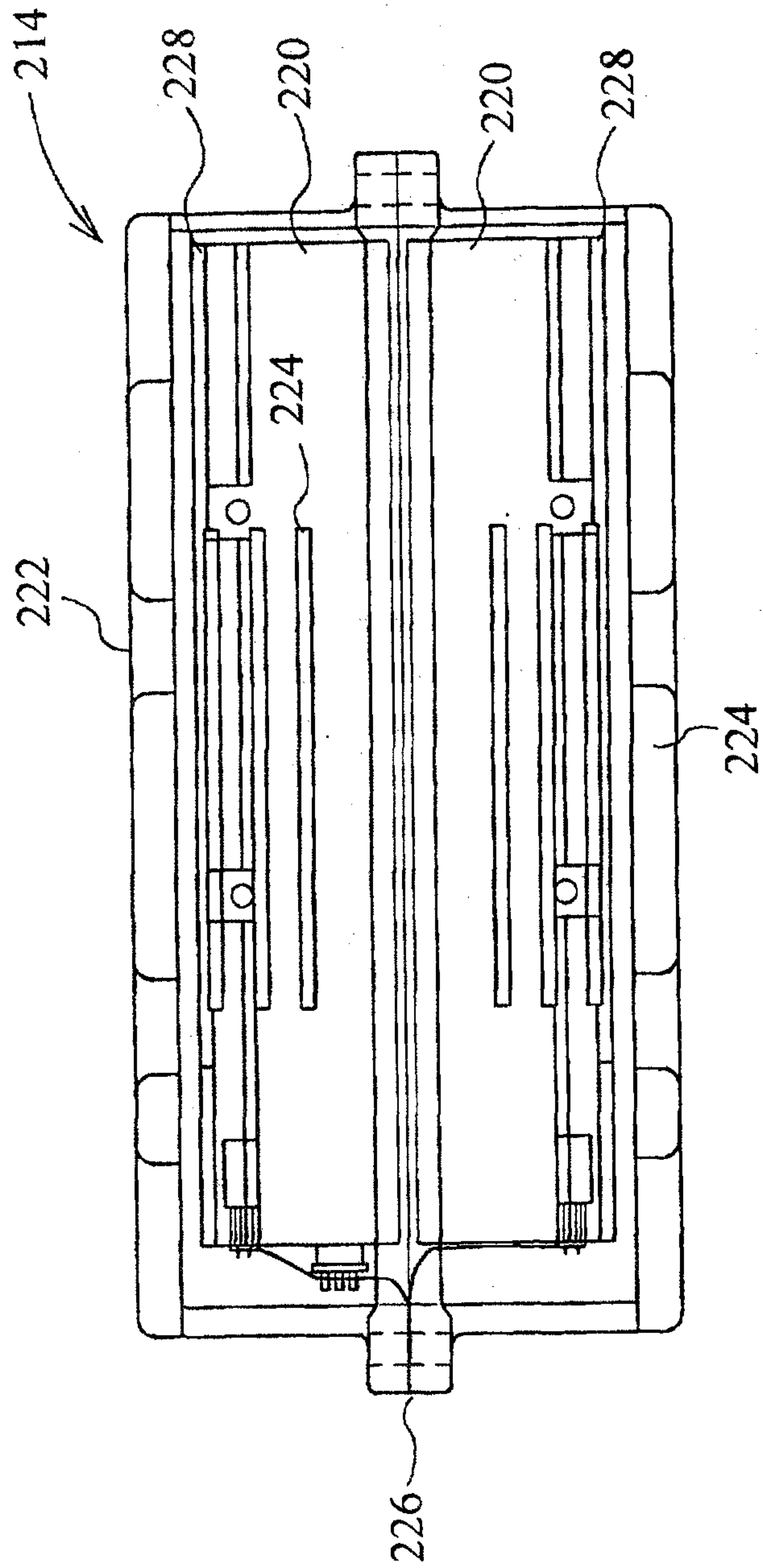


Fig. 8

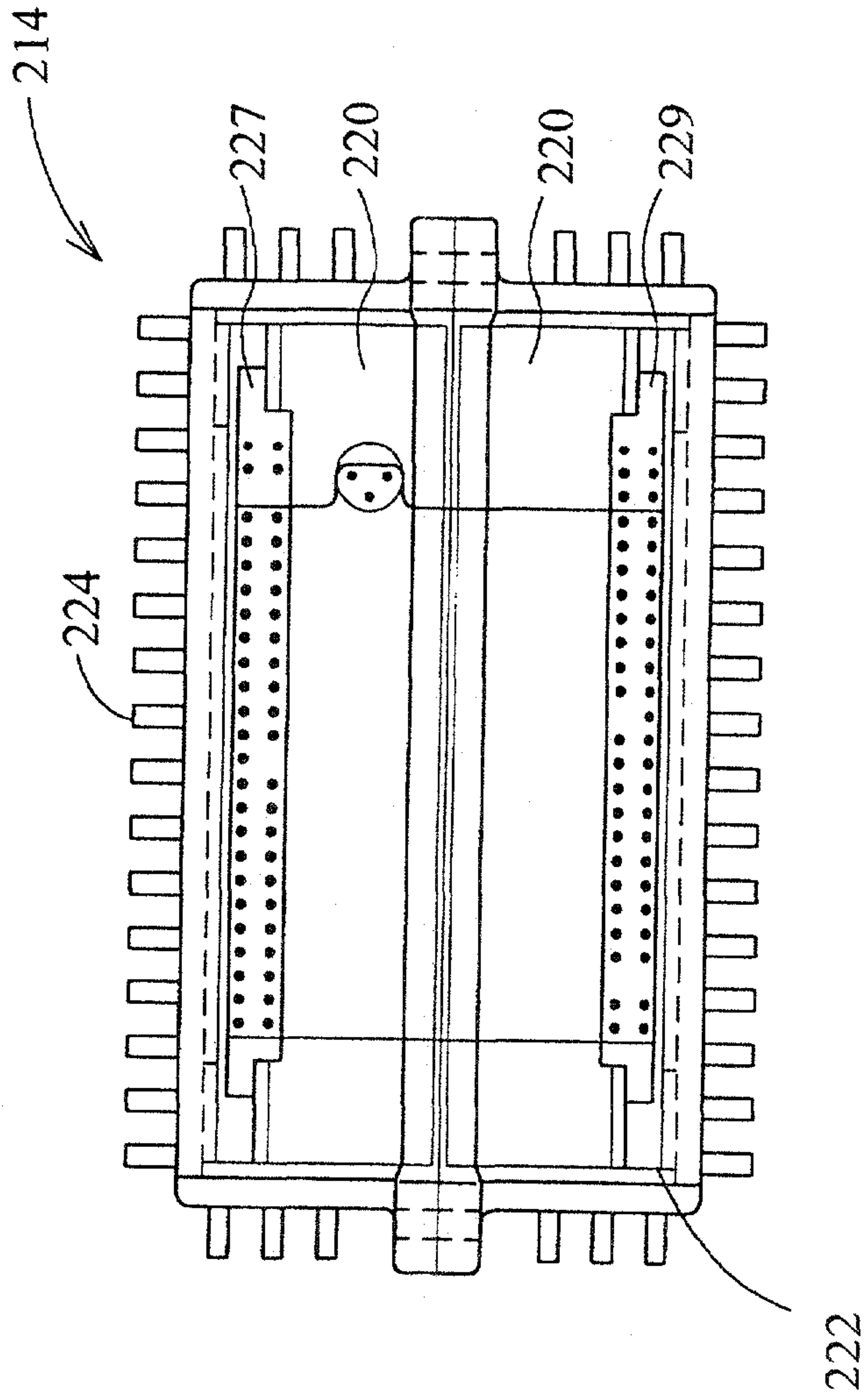
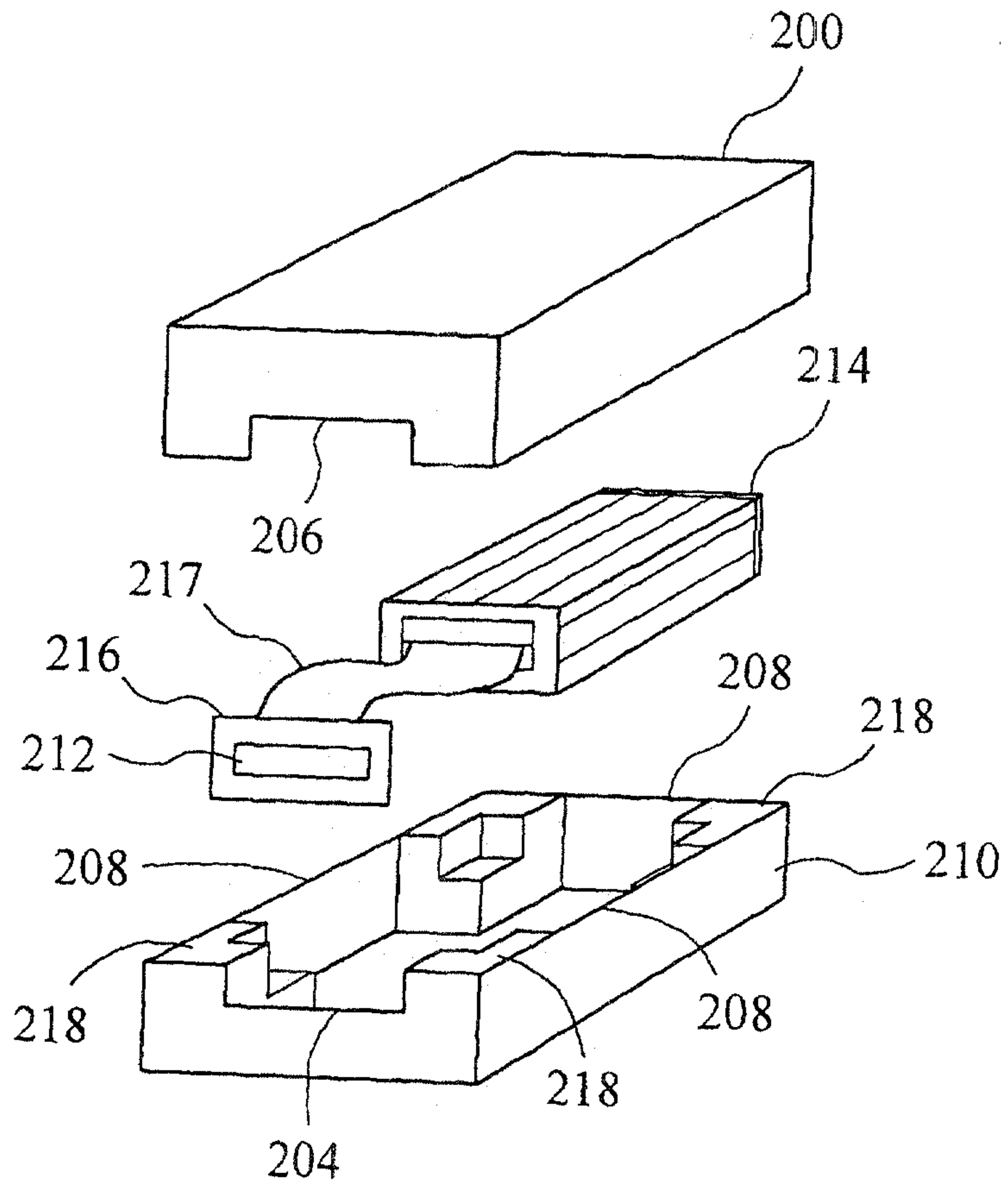


Fig. 9





*Fig. 10*

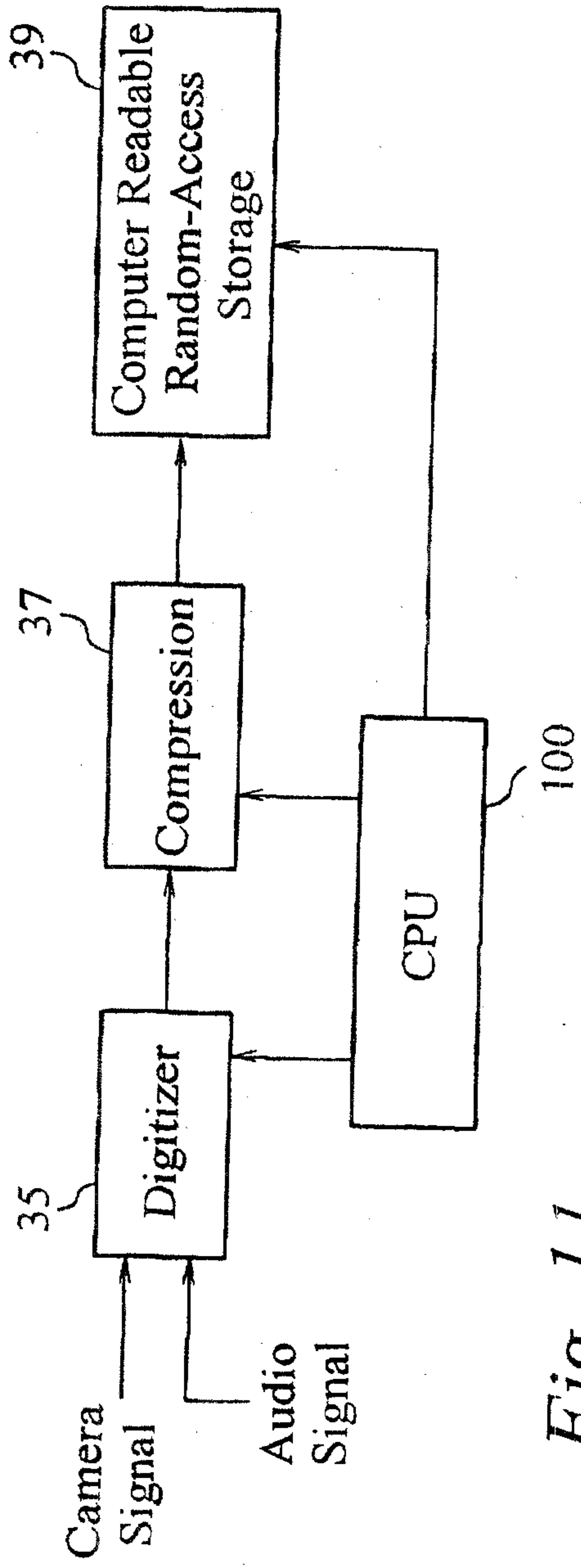


Fig. 11



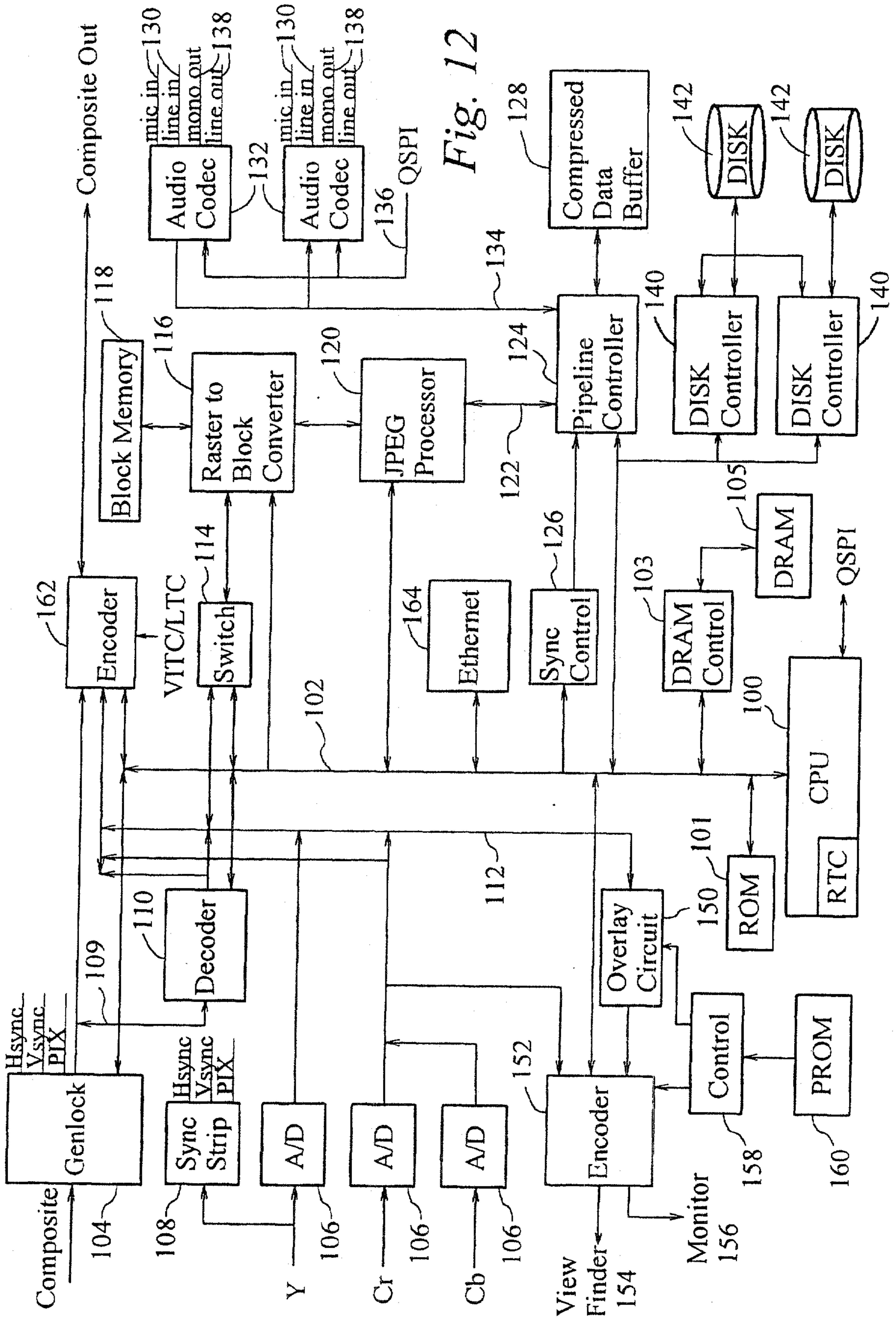


Fig. 12

