



(51) International Patent Classification:
B65D 21/00 (2006.01)

(21) International Application Number:
PCT/US2014/072418

(22) International Filing Date:
26 December 2014 (26.12.2014)

(25) Filing Language: English

(26) Publication Language: English

(72) Inventor; and

(71) Applicant : **ROSSI, Thomas, Ralph** [—/US]; 3419 Via Lido Suite 641, Newport Beach, CA 92663 (US).

(74) Agent: **PERSAUD, Christopher**; 20239 Arminta Street, Winnetka, CA 91306 (US).

(81) Designated States (unless otherwise indicated, for every kind of national protection available): AE, AG, AL, AM, AO, AT, AU, AZ, BA, BB, BG, BH, BN, BR, BW, BY, BZ, CA, CH, CL, CN, CO, CR, CU, CZ, DE, DK, DM, DO, DZ, EC, EE, EG, ES, FI, GB, GD, GE, GH, GM, GT, HN, HR, HU, ID, IL, IN, IR, IS, JP, KE, KG, KN, KP, KR, KZ, LA, LC, LK, LR, LS, LU, LY, MA, MD, ME, MG, MK, MN, MW, MX, MY, MZ, NA, NG, NI, NO, NZ, OM, PA, PE, PG, PH, PL, PT, QA, RO, RS, RU, RW, SA, SC, SD, SE, SG, SK, SL, SM, ST, SV, SY, TH, TJ, TM, TN, TR, TT, TZ, UA, UG, US, UZ, VC, VN, ZA, ZM, ZW.

(84) Designated States (unless otherwise indicated, for every kind of regional protection available): ARIPO (BW, GH, GM, KE, LR, LS, MW, MZ, NA, RW, SD, SL, ST, SZ, TZ, UG, ZM, ZW), Eurasian (AM, AZ, BY, KG, KZ, RU, TJ, TM), European (AL, AT, BE, BG, CH, CY, CZ, DE,

[Continued on next page]

(54) Title: CAP WITH MULTIPLE FUNCTIONALITY

(57) Abstract: An apparatus for providing emergency items for a user by keeping the emergency items in a module, which is part of a cap for a container of lipstick or lip balm is described. The caps which are part of the present invention are capable of containing multiple such modules, which are "stackable", one on top of the other. Other features, which are useful in an emergency, are kept on the outer surfaces of the caps which are part of the present invention. A method of delivering emergency items to a user by keeping the emergency items in a module, which is part of a container of lipstick or lip balm is also described.

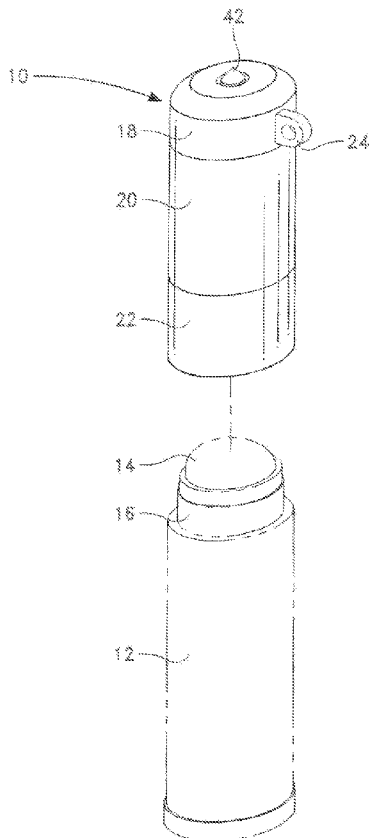


FIG. 2



DK, EE, ES, FI, FR, GB, GR, HR, HU, IE, IS, IT, LT, — *of inventorship (Rule 4.17(iv))*
LU, LV, MC, MK, MT, NL, NO, PL, PT, RO, RS, SE,
SI, SK, SM, TR), OAPI (BF, BJ, CF, CG, CI, CM, GA, **Published:**
GN, GQ, GW, KM, ML, MR, NE, SN, TD, TG). — *with international search report (Art. 21(3))*

Declarations under Rule 4.17:

- *as to applicant's entitlement to apply for and be granted a patent (Rule 4.17(ii))*

CAP WITH MULTIPLE FUNCTIONALITY
DESCRIPTION

TECHNICAL FIELD

[001] The field of this invention relates to personal security devices generally, and towards a specialized cap, which can be used with lipstick or lip balm containers. The cap contains one or more modules, each of which includes a compartment, that can contain a variety of different objects and devices. The devices and objects can be accessed by the user when necessary. Caps embodying the invention are designed to be used with standard-sized lipstick or lip balm containers. Different embodiments of the cap contain features that allow the user to attach one cap to a lipstick or lip balm container, and then attach another cap on top of the first cap. A user can theoretically then attach as many caps as desired, one on top of the other, and then have ready access to the safety features inside all of the caps.

BACKGROUND ART

[002] Lipstick and lip balm containers are cylindrical devices that are twisted to extrude the composition upward for application or tubular devices that are squeezed to extrude the composition outward for application. Most of the public is very aware that lip balms can be used to protect a user's lips from dryness and ultraviolet light. Most of the public is also aware that lipstick is commonly used for cosmetic purposes.

[003] Lipstick and lip balm have both been well-known for decades, and tend to be sold in small cylindrical containers with cylindrical plastic caps, or tubes, which extrude the lipstick or lip balm, and also have cylindrical plastic caps. These caps did not perform any function besides closing the lipstick or lip balm container. The present invention modifies these caps to perform other useful functions for the user.

[004] Users of lip balm and lipstick often carry the lip balm and lipstick containers in pockets, purses, and other easily accessible places. Therefore, a user of lipstick or lip balm, who encounters an

emergency, is likely to have the lipstick or lip balm container, and its cap, readily available.

[005] A consumer may also encounter various emergencies, when alone, such as the need to escape from an automobile quickly in the event of an accident. Therefore, a consumer may need to quickly break the glass of an automobile window, to escape from the automobile, during an accident. There is presently not an easily available, small, and easily stored device that will enable a user to break the glass of an automobile window in an emergency.

[006] If a consumer experiences a medical emergency, medical personnel arriving on the scene may not have access to the consumer's medical history. Therefore, they may treat the consumer in a way that is suboptimal because it does not take the consumer's medical history into account. There is presently no device on the market that can easily inform medical personnel arriving on the scene of an emergency about the injured person's medical history and other personal information.

[007] Consumers also have a need for an immediate alarm system that is convenient to carry, and can alert immediately passersby that a consumer is in distress. This alarm system should ideally be placed in a location which the consumer would have easy access to, such as a compartment in a cap of a container of lipstick or lip balm that the consumer is carrying.

[008] Methods associated with providing a lipstick or lip balm cap to provide any of the services discussed above to a consumer simply do not exist. This is because nobody has previously invented a lipstick or lip balm cap that includes useful safety-related objects of the types discussed herein.

DISCLOSURE OF INVENTION

[009] Caps embodying the present invention can include threads on the bottom, to make them attachable to a standard-sized container of lip balm or lipstick, because most such containers use threads to attach their caps. Caps embodying the present invention can also include threads on the top, to ensure that they can be attached to the bottoms of other caps embodying the invention. Caps embodying the present invention can also possess, on their bottoms, a means for attachment via

friction to a standard-sized lipstick or lip balm container. Caps embodying the present invention can also possess, on their tops, a means for attachment via friction to a standard-sized lipstick or lip balm container. Thus, a cap embodying a present invention may have threads or a means for attachment to a standard-sized lipstick or lip balm container via friction, on the cap's bottom, and may also have, on its top, threads or a means for attachment via friction to another cap of the same type.

[010] The devices and objects inside the compartment include medication, such as aspirin tablets. Studies have shown that immediately consuming aspirin when one feels the onset of a heart attack can mean the difference between life and death. This cap ensures that aspirin is readily available to a user who is at risk of a heart attack. The user can put other medication, food, or supplements into the compartment, if desired.

[011] The devices and objects which can be placed inside the compartment also include a strobe light, a battery, and an audio "personal alarm" that makes a loud noise when triggered.

[012] The cap embodying the present invention can include sufficient space on its outer surface to display personal information related to the owner of the cap, such as name and phone number.

[013] Caps embodying the present invention may also include the ability to attach a keychain to the cap, without affecting the ability of the cap to be attached to other caps of the same type.

[014] Furthermore, caps embodying the present invention may include a means to break glass in their top portions. Therefore, if a user is trapped in an automobile, the user can use the cap to break the glass of one of the automobile's windows and escape.

[015] Caps embodying the present invention may also include a nail file on their outer surfaces. This nail file can be modified by making its outer surface rough, so that it can enhance the user's grip of the cap.

[016] Other embodiments of the invention include a cap with a strobe light on its top, where the strobe light does not impact the ability of the cap to be attached to another cap of the same type, on

either its top or its bottom.

[017] The invention also includes a method for keeping emergency items, such as medication, easily accessible by placing them in the compartments, that are part of the modules, that are part of the caps of the present invention. These emergency items also include an audio alarm, and a strobe light and/or battery. The method may also include utilizing a cap that has a keychain loop, a nail file, or a small means to break auto glass are included in the upper part of the cap.

[018] A method of providing emergency information to medical personnel would include ensuring that there is sufficient space on the outer wall of the cap for personal information to be displayed there, or alternatively for a “QR” code to be displayed on the outer surface of the cap, which emergency personnel can scan to get personal and/or medical information about the user.

[019] One objective of the present invention is to provide a universal cap that can be easily applied to lipstick or lip balm containers and that also includes one or more of a multiplicity of personal and safety items. This ensures that such items are always available to the user, in a small, compact, and easy-to-carry form. The items are available on the cap of the user's lipstick or lip balm cylinder or tube.

[020] The best mode of carrying out the “cap” invention is a cap for a container of lipstick or lip balm which contains modules, each of which contains either threads or a means for attachment via friction to another cap of the same type on its top, and also either threads or a means for attachment via friction to another cap of the same type on its bottom. The cap should contain at least module, and each module includes a compartment. The compartment is completely surrounded by a compartment wall, and so protects its contents and keeps them available for the user. The module will be substantially cylindrical in shape and have an outer wall and a closed top. The threads or means for attachment via friction on the bottom of the cap will also allow the cap to be attached to a standard-sized lipstick or lip balm container. Caps embodying the invention which have threads on the bottom

can be screwed into a standard-sized lipstick or lip balm container.

[021] A cap embodying the present invention could also theoretically have both threads and a means for attachment via friction on the top of the cap and/or threads and a means for attachment via friction on the bottom of the cap.

[022] The above embodiment can be further modified by defining that said outer wall has sufficient space to display a telephone number or scan code (such as a "QR" code) containing personal information of said holder, such as identification, emergency contact information, and medical history.

[023] The embodiment can also be further modified by defining that said compartment space contains an audible alarm.

[024] The embodiment can be additionally modified by defining that the compartment can be modified by defining that said compartment space contains aspirin or any other medication or supplement.

[025] The embodiment may furthermore be modified by defining that said closed top has a keychain loop attached, which also facilitates attachment of the cap to clothing or underclothing. The keychain loop can be designed so that it does not impede the ability of the cap to attach to other caps of the same type, either on its top or its bottom.

[026] The embodiment can also be modified by including, in said closed top, a means to break the glass of an automobile window. In this way, the user can break the glass of an automobile window, if trapped in an automobile.

[027] The above embodiment can further be modified by defining that said cap includes a nail file that also serves as a grip enhancer on the outer surface of one of the modules. This nail file can enhance the user's grip through having a rough surface, or potentially by other methods. The nail file should not interfere with the cap's ability to attach to other caps of the same type, either on its top or on its bottom.

[028] Methods of providing emergency access to certain emergency items, which include, but are not limited to, strobe lights for use as flashlights, medication or supplements, and audible alarms, by placing these objects inside the compartment, which is inside one of the modules, which is part of the cap, are also part of the present invention.

BRIEF DESCRIPTION OF THE DRAWINGS

[030] The accompanying drawings show some embodiments of the invention. The invention is explicitly not limited to the precise arrangement shown in the drawings.

[031] Fig. 1 is a front prospective view of one example of the cap of the instant invention, as it stands alone.

[032] Fig. 2 is a front prospective view of the cap of the instant invention as it sits atop a cylindrical container of lip balm.

[033] Fig. 3 is an exploded view of the modular assembly of the cap of the instant invention.

[034] Fig. 4 is a cross-sectional view of a cap of the instant invention.

DETAILED DESCRIPTION OF THE DRAWINGS

[035] One of the preferred embodiments is illustrated and described by reference characters that denote similar elements throughout the several views of the instant invention.

[036] This preferred embodiment is a cap (10) that can stand alone (FIG. 1) to replace the existing cap of a container of lipstick or lip balm/lipstick or can be pre-installed on the container (FIG. 2). The cap (10) screws on the container (either the cylinder as shown or a tube) as the standard cap does at the top (16) of the cylinder (12) or tube (14) where the lip material (14) emerges. The cap (10) is modular as seen in FIG. 3 and contain one or more compartments 18, 20, 22, 22a, or 22b for the inclusion therein of a series of functional items. As seen in Fig. 3, each modular component 18, 20, or 22 screws onto the module below it in the same way that the cap (10) itself as a whole screws onto the top (16) of

the cylinder or tube (12).

[037] The instant invention includes several possible functional items that can be housed in the modular compartments, 18, 20, and 22 of the cap (10). Attached to the top portion of the cap (10) is an optional key chain loop (24), for easy storage. The top of the cap (10) can also be equipped with an attachment (42) that allows for the quick breaking of automobile window glass in the event of an emergency such as an automobile window when a driver may be trapped therein or locked outside therefrom. The functional items that can be housed in the modular compartments 18,20, and 22 of the cap, as contemplated by this invention, include 1) aspirin in the event of onset of a heart attack, or, alternatively, other medications or supplements; 2) a flashlight with a battery to assist for impaired vision in the dark; 3) an audible/visible alarm in the event of an emergency; 4) Identification information such as name, medical history, and contact information, or a “QR” or other scannable code that carries identification information such as the user's name, medical information, and emergency contact information; and 5) a nail file.

[038] The order of housing in the modular components 18, 20, 22 is not important.

[039] The identification information does not need to be housed in one of the compartments within the cap, but would be provided in the form of a scannable code, such as a “QR” code, or a telephone number which would be printed on a space on the outside of one of the modules 26 and would need to be housed therein. The user would have to pre-provide this information, that could be accessed by calling the telephone number, or scanning the code, in order to use this feature effectively.

[040] In one embodiment of the invention, the top module (18) contains a flashlight (28) with corresponding battery (30) which can be activated through an on/off switch or by the application of pressure thereto. The middle module (20) below the top module (18) is squeezable and can serve to activate the flashlight in a strobing light fashion and to set off an audible alarm (32), thereby serving as an alert in the event of an emergency. The outer surface (34) of this module (20) is one place that the

scannable strip (26) or telephone number for emergency assistance can be placed.

[041] The module (22) below the middle module (20) can house two two three aspirin tablets (36) for use when necessary, such as when the user feels the onset of a heart attack. It is to be noted that the cap can include one of these modules, just two of these modules, or more than two, depending on the desire of the manufacturer. The bottom module (22) terminates with a threaded portion that easily screws onto the cylinder or tube of lip balm/lipstick as each module above it terminates in a threaded portion to easily screw onto the module below it.

BEST MODE OF CARRYING OUT THE INVENTION

[042] The best mode of carrying out the apparatus, or cap, which is a part of the present invention is through a cap for a container of lipstick or lip balm, where the cap contains modules, each of which contains either threads or a means for attachment via friction to another cap of the same type on its top, and also either threads or a means for attachment via friction to another cap of the same type on its bottom. The cap should contain at least module, and each module includes a compartment. The compartment is completely surrounded by a compartment wall, and so protects its contents and keeps them available for the user. The module will be substantially cylindrical in shape and have an outer wall and a closed top. The threads or means for attachment via friction on the bottom of the cap will also allow the cap to be attached to a standard-sized lipstick or lip balm container. Caps embodying the invention which have threads on the bottom can be screwed into a standard-sized lipstick or lip balm container.

[043] The best mode of carrying out the process which is part of the present invention is to ensure that the cap contains multiple modules, one of which contains aspirin or other medication, another of which contains a strobe light and battery, and the third of which contains an audible alarm. The cap would also have sufficient room on its outside to hold a "QR" code which can be scanned for access to medical information about the user, and which includes a keychain, and a nail file with a rough outer

surface on the outside of one of the modules.

[044] The discussion included in this patent is intended to serve as a basic description. The reader should be aware that the specific discussion may not explicitly describe all embodiments possible, and alternatives are implicit, or obvious to those skilled in the art. Also, this discussion may not fully explain the generic nature of the invention and may not explicitly show how each feature or element can actually represent equivalent elements. Again, these are implicitly included in this disclosure. Where the invention is described in device-oriented terminology, each element of the device implicitly performs a function. It should also be understood that a variety of changes may be made to the embodiments that have been described, without departing from the essence of the invention. Such changes are implicitly included in the description. These changes still fall within the scope of this invention.

[045] Furthermore, each of the various elements of the invention and claims may also be achieved in a variety of manners. This disclosure should be understood to encompass each such variation, whether it is a variation of an apparatus embodiment, a method embodiment, or a variation in any element of an embodiment. As the disclosure relates to elements of the invention, the words describing each element may be replaced by equivalent apparatus terms, even if only the function or result is the same. Such equivalent, broader, or even more generic terms should be considered to be encompassed in the description of each element or action. Such terms can be substituted, when desired, to make explicit the implicitly broad coverage to which this invention is entitled. It should be understood that all actions may be expressed as a means for taking the action in question, or may be expressed as an element for causing the action in question. Similarly, each physical element disclosed should be understood to encompass a disclosure of the action which that physical element facilitates. Such changes and terms are to be understood to be explicitly included in the description.

INDUSTRIAL APPLICABILITY

[046] Lipstick and lip balm containers generally come in a certain very limited range of sizes, because a consumer needs to hold a container of lip balm or lipstick comfortably with his or her fingers, in order to apply it. Containers of lip balm and lipstick therefore tend to have a very limited range of diameters, as a result. Therefore, caps which embody the present invention can be designed which fit any lipstick or lip balm container that is within the standard range of lipstick and lip balm containers, and still remain within the spirit of the invention. comfortably with their fingers in and so they have caps in a certain very narrow range of sizes.

[047] Any present manufacturer of lipstick or lip balm could also theoretically manufacture caps that fit its specific lipstick or lip balm containers, while embodying the present invention. Consumers could then have the option of buying the manufacturer's lipstick or lip balm, with the cap of the present invention already included. Alternatively, consumers would have the option of replacing existing caps on their lipstick or lip balm with caps of the present invention.

[048] Plastic, of the types generally used to manufacture lipstick and lip balm containers, should be an adequate material from which to manufacture caps embodying the present invention.

[049] The steps needed to make caps of the present invention are already well-known in the art, once the caps themselves are described and disclosed.

CLAIMS

1. A multi-use universal substitute cap for a container of lipstick or lip balm, which is capable of capping a lipstick or lip balm container and replacing an existing cap; and which comprises;

at least one module that is substantially cylindrical in shape having a closed top, an outer wall, and an inner wall; and a compartment, and a compartment wall fully surrounding said compartment, where said compartment wall is in the interior of the cap;

and a substantially cylindrical empty bottom space on the bottom of said module;

where said inner wall is partially or wholly adjoining said bottom space;

threads on the bottom of said inner wall to allow said module to be screwed into another threaded surface on either said container of lip balm or lipstick or another module, or for said module to be attached by means of friction as the module is forced onto the top of said lipstick or lip balm container top and snapped into place atop said lipstick or lip balm container, thus attaching said module to said lipstick or lip balm container;

wherein said compartment can house a functional item;

where said substantially cylindrical empty bottom space on the bottom of said module is closed on its top end and open on its lower end, to allow said module to be screwed into a threaded surface of another container of lip balm or lipstick or another module; or for said module to be attached by means of friction as the module is forced onto the top of said lipstick or lip balm container top and snapped into place atop said lipstick or lip balm container;

and said bottom space and said module are of the correct approximate diameter that said module can be attached to a container of lipstick or lip balm by either being screwed into another threaded surface of said container of lipstick or lip balm or by means of friction, where the top of said container of lipstick or lip balm can be inserted into said bottom space; wherein a means to break the glass of an automobile window is located in said closed top; where said cap is of the correct size to be attached to a standard-sized lipstick container or lip balm container, through either being screwed into another threaded surface of said container of lipstick or lip balm or by means of friction, where the top of said container of lipstick or lip balm can be inserted into said bottom space.

2. The cap in claim 1 wherein said outer wall has sufficient space to display personal information comprising at least one of the following; identification of the holder, telephone number of the holder, identification of the holder, or emergency contact information for the holder.
3. The cap as defined in claim 1 wherein said compartment space contains a flashlight and a battery.
4. The cap as defined in claim 1 wherein said compartment space contains an audio alarm.
5. The cap as defined in claim 1 wherein said compartment space contains aspirin or other medications or supplements and wherein the maximum distance across said compartment space, on the X-axis, is less than the diameter of the bottom of said module.
6. The cap as defined in claim 1 wherein said closed top has a key chain loop attached thereto thereby facilitating easy attachment to garments or other accessories.

7. The cap as defined in claim 1, wherein a means to break glass in the event of an emergency is included in said top portion in the event of being locked out of an automobile or trapped therein.
8. The cap as defined in claim 1 wherein a nail file is housed on said outer surface of said module.
9. A method for supplying nearby emergency items for ready access as needed comprising the steps of:
 - providing a multi-use universal substitute cap for a container of lip balm or lipstick, said container further comprising; at least one module that is substantially cylindrical in shape; having a closed top, an outer wall, and an inner wall and a compartment, and a compartment wall surrounding said compartment, where said compartment wall is in the interior of the cap; and a substantially cylindrical empty bottom space on the bottom of said module;
 - where said inner wall is partially or wholly adjoining said bottom space;
 - and one or more of the following group on the bottom of said inner wall;
 - a) threads on the bottom of said inner wall to allow said module to be screwed into another threaded surface either on said container of lip balm or lipstick or on another module;
 - or b) a means for attachment to another cap via friction molded into the inner ring of the open end of a cap;
 - means along the top of the cap to allow another cap of the same type to be attached to the top of the cap, through either friction or through being screwed into the cap;

wherein said compartment can house a functional item;

attaching said cap to an existing tube of lip balm or lipstick; accessing said at least one module as needed.

10. The method as defined in claim 9 wherein said outer wall has sufficient space to display one of a group comprising a) personal information; b) "QR" indicia that can be scanned using a smart phone or device to reveal personal and/or medical data to authorized personnel.
11. The method as defined in Claim 9 wherein said compartment space contains a flashlight and a battery for said flashlight.
12. The method as defined in Claim 9 wherein said compartment space contains an audio alarm.
13. The method in Claim 9 wherein such compartment space contains aspirin or other medications or supplements.
14. The method as defined in Claim 9 wherein said closed top has a key chain loop attached; and said keychain loop is used to attach said module to garments or other accessories.
15. The method as defined in Claim 9 wherein a means to break the glass of an automobile window in the event of an emergency is included in said closed top.
16. The method defined by Claim 9 wherein a nail file is housed on said outer surface of said module.
17. A multi-use universal substitute cap which is capable of capping a container and replacing an existing cap for a container of lipstick or lip balm, and which comprises;

at least one module that is substantially cylindrical in shape having a closed top, an outer wall, and an inner wall, and a compartment, and a compartment wall fully surrounding said

compartment; where said compartment wall is in the interior of the module; and a substantially cylindrical empty bottom space on the bottom of said module;

where said inner wall is partially or wholly adjoining said bottom space;

means along the top of the cap to allow another cap of the same type to be attached to the top of the cap, through one or more of either a) friction or b) being screwed into the cap;

one or more of a group comprising a) threads on the bottom of said inner wall to allow said module to be screwed into another threaded surface on either said container of lip balm or lipstick or another module, or b) means for said module to be attached by means of friction as the module is forced onto the top of said lipstick or lip balm container and snapped into place atop said lipstick or lip balm container, thus attaching said module to said lipstick or lip balm container;

wherein said compartment can house one of a group comprising aspirin, a flashlight and accompanying battery, and an audio alarm;

where said substantially cylindrical empty bottom space is on the bottom of said module and is closed on its top end and open on its lower end, to allow said module to be screwed into a threaded surface of another container of lip balm or lipstick or another module; or for said module to be attached by means of friction as the module is forced onto the top of said lipstick or lip balm container top and snapped into place atop said lipstick or lip balm container;

where said bottom space and said module are of the correct approximate diameter that said module can be attached to a container of lipstick or lip balm by either being screwed into

another threaded surface of said container of lipstick or lip balm or by means of friction, where the top of said container of lipstick or lip balm can be inserted into said bottom space;

where said cap is of the correct size to be attached to a standard-sized lipstick container or lip balm container, through either being screwed into another threaded surface of said container of lipstick or lip balm or by means of friction, where the top of said container of lipstick or lip balm can be inserted into said bottom space.

18. A multi-use universal substitute cap which is capable of capping a container and replacing an existing cap for a container of lipstick or lip balm and which comprises;

at least one module that is substantially cylindrical in shape having a closed top, an outer wall, and an inner wall, and a compartment, and a compartment wall fully surrounding said compartment, where said compartment wall is in the interior of the cap; and a substantially cylindrical empty bottom space on the bottom of said module;

where said inner wall is partially or wholly adjoining said bottom space;

means along the top of the cap to allow another cap of the same type to be attached to the top of the cap, through one or more of either a) friction or b) being screwed into the cap;

one or more of the following; a) threads on the bottom of said inner wall to allow said module to be screwed into another threaded surface on either said container of lip balm or lipstick or another module, or b) means along the bottom of said inner wall for said module to be attached by means of friction as the module is forced onto the top of said lipstick or lip balm container and snapped into place atop said lipstick or lip balm container, thus attaching said module to said lipstick or lip balm container;

wherein said compartment space can house one or more of a group comprising aspirin, a flashlight and accompanying battery, and an audio alarm;

where said substantially cylindrical empty bottom space on the bottom of said module is closed on its top end and open on its lower end, to allow said module to be screwed into a threaded surface of another container of lip balm or lipstick or another module; or for said module to be attached by means of friction as the module is forced onto the top of said lipstick or lip balm container top and snapped into place atop said lipstick or lip balm container;

and said bottom space and said module are of the correct approximate diameter that said module can be attached to a container of lipstick or lip balm by either being screwed into another threaded surface of said container of lipstick or lip balm or by means of friction, where the top of said container of lipstick or lip balm can be inserted into said bottom space;

where said cap is of the correct size to be attached to a standard-sized lipstick container or lip balm container, through either being screwed into another threaded surface of said container of lipstick or lip balm or by means of friction, where the top of said container of lipstick or lip balm can be inserted into said bottom space;

where there is sufficient room on the outside of said cap for a QR code which, when scanned, gives finders of said cap personal information about the user of the cap.

19. The cap of claim 17 wherein said outer wall has sufficient space to display personal information comprising at least one of the following; identification of the holder, telephone number of the holder, identification of the holder, or emergency contact information for the holder.

20. The cap as defined in claim 17 wherein said compartment space contains a flashlight and a battery.
21. The cap as defined in claim 17 wherein said compartment space contains an audio alarm.
22. The cap as defined in claim 17 wherein said compartment space contains aspirin or other medications or supplements and wherein the maximum distance across said compartment space, on the X-axis, is less than the diameter of the bottom of said module.
23. The cap as defined in claim 17 wherein said closed top has a key chain loop attached thereto, thereby facilitating easy attachment to garments or other accessories, and said key chain loop does not interfere with the ability of another cap of the same type to be attached to the top of the cap, either through friction or through being screwed into the cap.
24. The cap as defined in claim 17, wherein a means to break glass, in the event of an emergency, is included in said top portion in the event of being locked out of an automobile or trapped therein, where said means to break glass is sufficiently strong to break the glass of a standard automobile window, and is also of the correct size, shape, and position that it does not impact the ability of the top of said cap to be affixed to the bottom of another cap of the same type.
25. The cap as defined in claim 17 wherein a nail file is housed on said outer surface of said module, and said nail file is also of the correct size and positioned in the correct way that it does not impact the ability of the top of said cap to be affixed to the bottom of another cap of the same type.
26. The cap of Claim 8 where said nail file has the additional property of being able to enhance the ability of users to grip said cap.

27. The cap of Claim 25 where said nail file has the additional property of being able to enhance the ability of users to grip said cap.
28. A multi-use universal substitute cap which is capable of capping a container and replacing an existing cap for a container of lipstick or lip balm and which comprises;
- at least one module that is substantially cylindrical in shape having a closed top, an outer wall, and an inner wall and a compartment, and a compartment wall fully surrounding said compartment, where said compartment wall is in the interior of the cap; and a substantially cylindrical empty bottom space on the bottom of said module;
- where said inner wall is partially or wholly adjoining said bottom space;
- means along the top of the cap to allow another cap of the same type to be attached to the top of the cap, through one or both of the methods of a) friction or b) through being screwed into the cap;
- one or more of a group comprising a) threads on the bottom of said inner wall to allow said module to be screwed into another threaded surface on either said container of lip balm or lipstick or another module, or b) means along the bottom of said inner wall for said module to be attached by means of friction as the module is forced onto the top of said lipstick or lip balm container and snapped into place atop said lipstick or lip balm container, thus attaching said module to said lipstick or lip balm container;
- wherein said compartment can house at least one of a group comprising aspirin, a flashlight and accompanying battery, and an audio alarm;
- where said substantially cylindrical empty bottom space on the bottom of said module is closed on its top end and open on its lower end, to allow said module to be screwed into a

threaded surface of another container of lip balm or lipstick or another module; or for said module to be attached by means of friction as the module is forced onto the top of said lipstick or lip balm container top and snapped into place atop said lipstick or lip balm container;

and where said bottom space and said module are of the correct approximate diameter that said module can be attached to a container of lipstick or lip balm by either being screwed into another threaded surface of said container of lipstick or lip balm or by means of friction, where the top of said container of lipstick or lip balm can be inserted into said bottom space;

where said cap also contains at least one of a group comprising strobe lights and electrical power sources for strobe lights.

where said cap is of the correct size to be attached to a standard-sized lipstick container or lip balm container, through either being screwed into another threaded surface of said container of lipstick or lip balm or by means of friction, where the top of said container of lipstick or lip balm can be inserted into said bottom space.

29. The cap of claim 17 further comprising a strobe light located on top of the closed top, where such strobe light is of the correct size, shape, and position that it does not impact the ability of the top of said cap to be affixed to the bottom of another cap of the same type.
30. The cap of claim 17, further comprising that the means along the top of the cap to allow another cap of the same type to be attached to the top of the cap are threads.

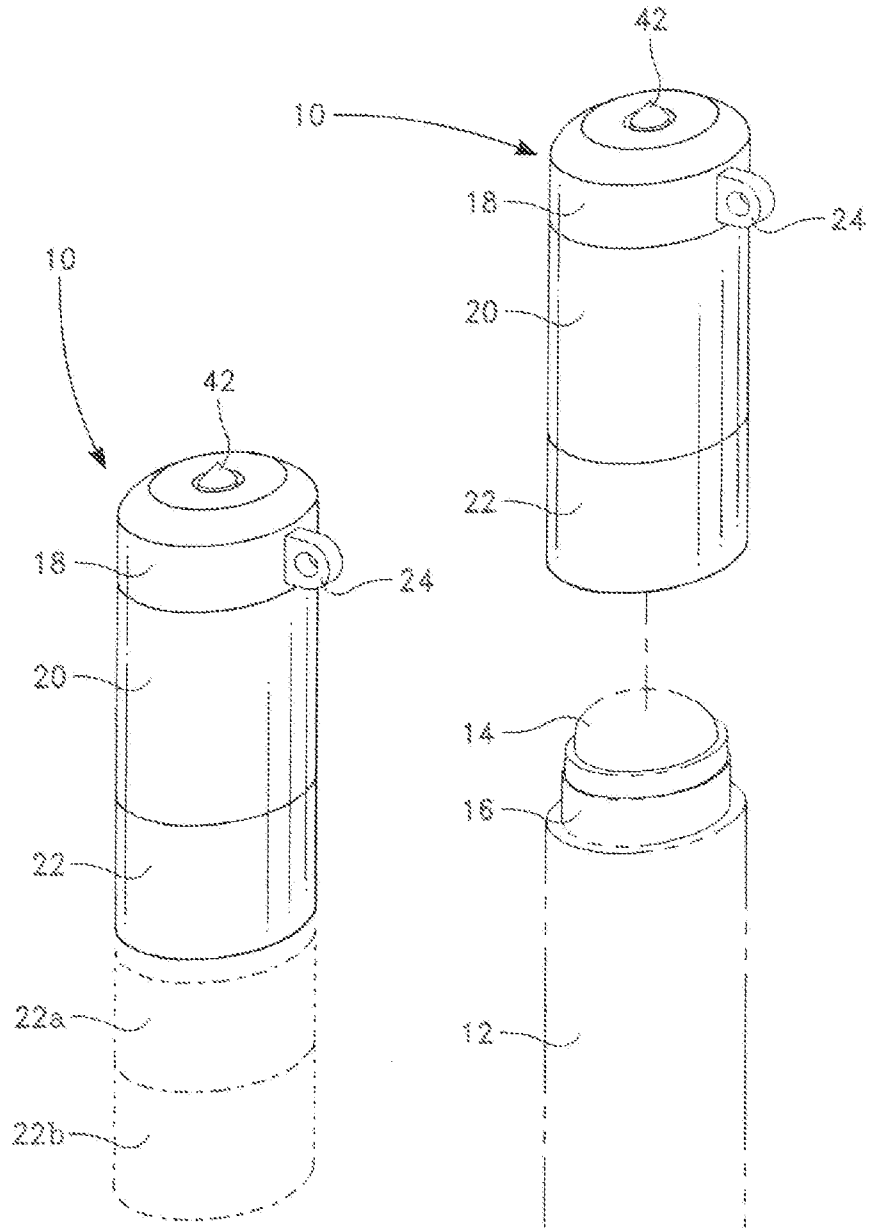


FIG. 1

FIG. 2

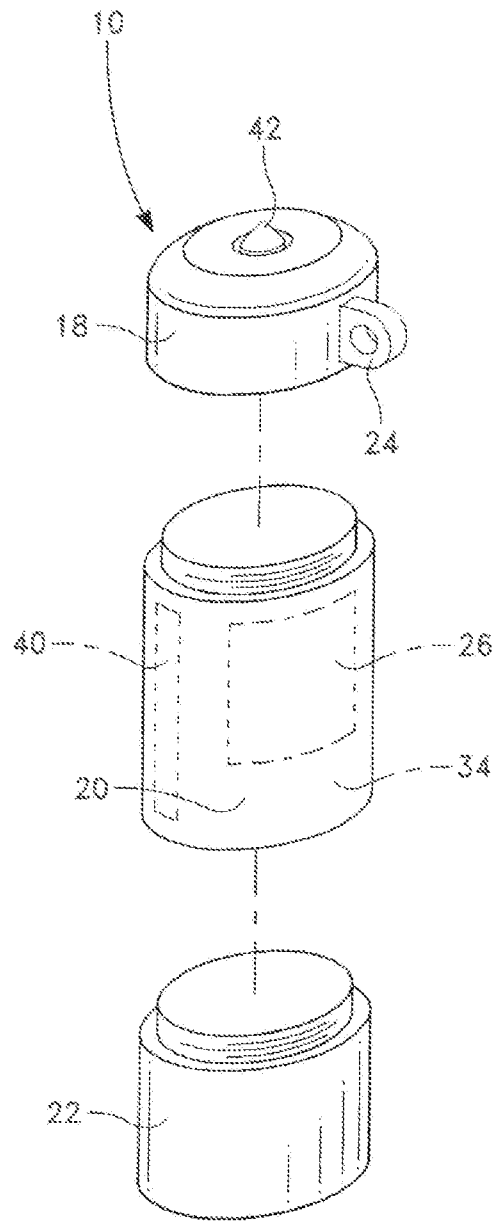


FIG. 3

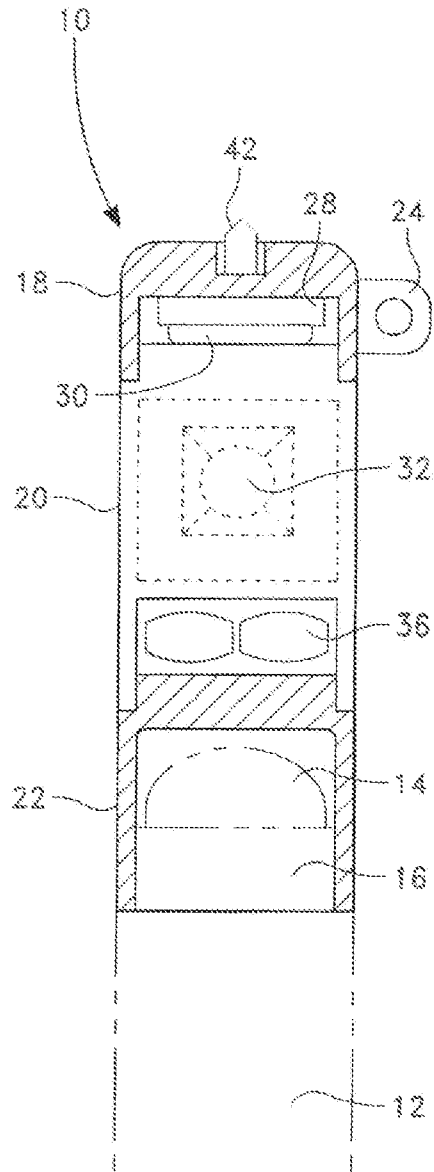


FIG. 4

INTERNATIONAL SEARCH REPORT

International application No.

PCT/US 14/72418

A. CLASSIFICATION OF SUBJECT MATTER IPC(8) - B65D 21/00 (2015.01) CPC - B65D 21/00 According to International Patent Classification (IPC) or to both national classification and IPC		
B. FIELDS SEARCHED Minimum documentation searched (classification system followed by classification symbols) IPC(8) - B65D 21/00 (2015.01) CPC - B65D 21/00 Documentation searched other than minimum documentation to the extent that such documents are included in the fields searched IPC(8) - B65D 21/00, A45C15/00, A45C15/06, A61J1/00, B65D85/00, A61J1/03, B65D 21/* (2015.01) CPC - A45C15/00, A45C15/06, A45D 40/00, A45D 40/18, A45D 40/24, B65D 21/* (Search Terms Limited, See Below) Electronic data base consulted during the international search (name of data base and, where practicable, search terms used) PatBase, Google Patents, Google Scholar. Search Terms Used: lipstick OR lip balm; flashlight; pillbox; container OR holder; break*; glass; pill box OR pill container; plurality of caps; glass break*; strobe*; strobe light; lipstick cap containing emergency items; lipstick cap containing modules; lipstick container having means to break the glass o		
C. DOCUMENTS CONSIDERED TO BE RELEVANT		
Category*	Citation of document, with indication, where appropriate, of the relevant passages	Relevant to claim No.
X -- Y	US 2010/0025280 A1 (Palmer) 04 February 2010 (04.02.2010), entire document, especially Fig 1, 3b, 4a, 12a; para [0003], [0033], [0040], [0042]	1-2, 5-7, 9-10, 13-15, 17-19, 22-24, 30 ----- 3-4, 8, 11-12, 16, 20-21, 25-29
Y	US 5,573,109 A (Isacson) 12 November 1996 (12.11.1996), entire document, especially Fig 2(a)-2(b); Col 4, ln 12-15	3-4, 11-12, 20-21, 28-29
Y	US 7,461,743 B2 (Taft) 09 December 2008 (09.12.2008), entire document, especially Fig 7	8, 16, 25-27
A	US 2002/0020635 A1 (Gordon) 21 February 2002 (21.02.2002), entire document	1
A	US 5,373,940 A (Hillelson) 20 December 1994 (20.12.1994), entire document	1
A	US 4,936,444 A (Yamaki) 26 June 1990 (26.06.1990), entire document	1
A	US 2,678,995 A (Miller) 16 December 1950 (16.12.1950), entire document	1
A	US 2,630,212 A (Mosch) 12 October 1946 (12.10.1946), entire document	1
A	US 1,821,660 A (Meyerson) 11 April 1930 (11.04.1930), entire document	1
<input type="checkbox"/> Further documents are listed in the continuation of Box C. <input type="checkbox"/>		
* Special categories of cited documents:	"T" later document published after the international filing date or priority date and not in conflict with the application but cited to understand the principle or theory underlying the invention "A" document defining the general state of the art which is not considered to be of particular relevance "E" earlier application or patent but published on or after the international filing date "L" document which may throw doubts on priority claim(s) or which is cited to establish the publication date of another citation or other special reason (as specified) "O" document referring to an oral disclosure, use, exhibition or other means "P" document published prior to the international filing date but later than the priority date claimed "X" document of particular relevance; the claimed invention cannot be considered novel or cannot be considered to involve an inventive step when the document is taken alone "Y" document of particular relevance; the claimed invention cannot be considered to involve an inventive step when the document is combined with one or more other such documents, such combination being obvious to a person skilled in the art "&" document member of the same patent family	
Date of the actual completion of the international search	Date of mailing of the international search report	
02 April 2015 (02.04.2015)	21 APR 2015	
Name and mailing address of the ISA/US	Authorized officer:	
Mail Stop PCT, Attn: ISA/US, Commissioner for Patents P.O. Box 1450, Alexandria, Virginia 22313-1450 Facsimile No. 571-273-3201	Lee W. Young	
	PCT Helpdesk: 571-272-4300 PCT OSP: 571-272-7774	