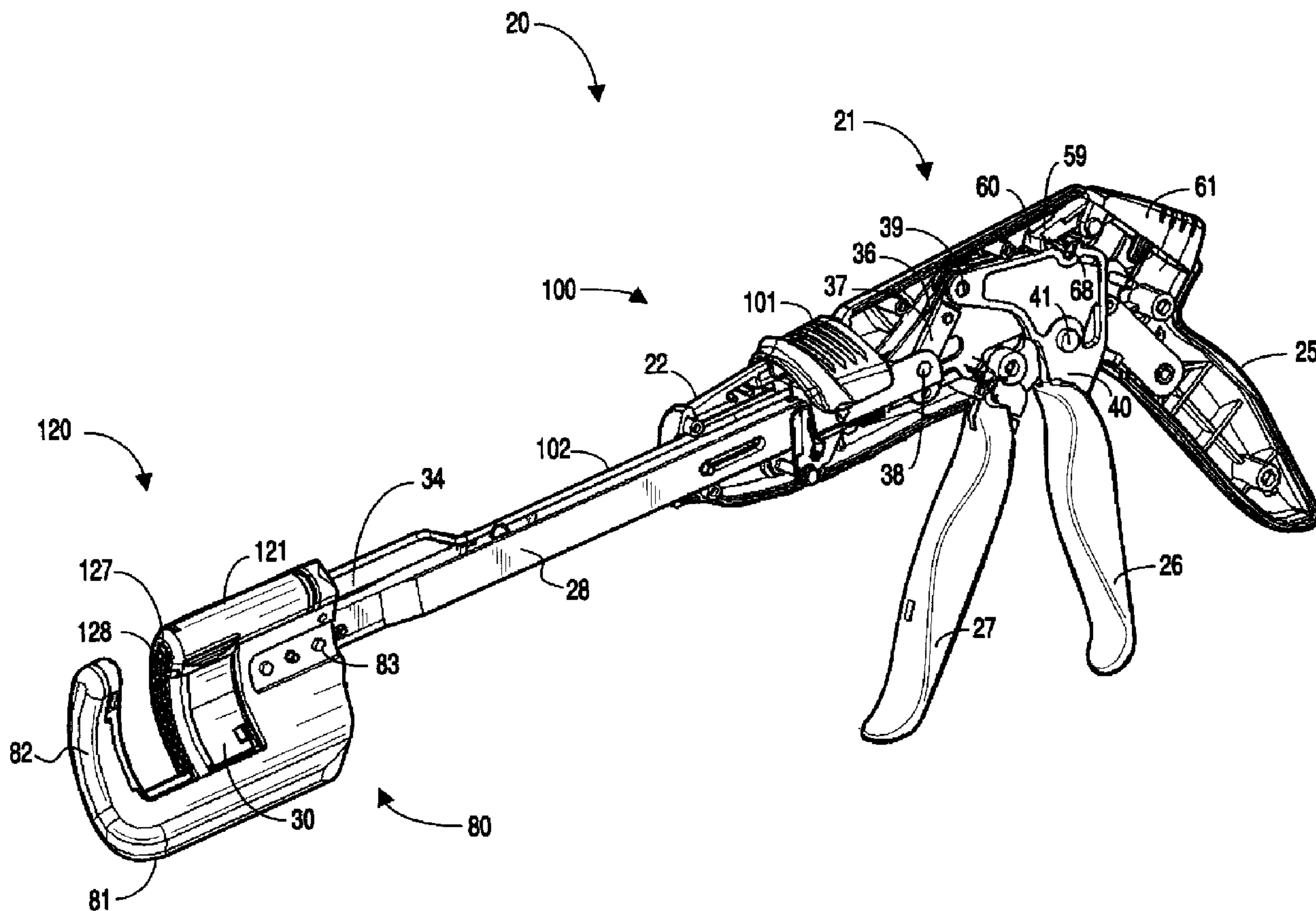




(22) Date de dépôt/Filing Date: 2004/12/23  
 (41) Mise à la disp. pub./Open to Public Insp.: 2005/06/30  
 (45) Date de délivrance/Issue Date: 2011/03/15  
 (30) Priorité/Priority: 2003/12/30 (US60/532,907)

(51) Cl.Int./Int.Cl. *A61B 17/03* (2006.01),  
*A61B 17/04* (2006.01), *A61B 17/068* (2006.01),  
*A61B 17/072* (2006.01)  
 (72) Inventeur/Inventor:  
 SCHWEMBERGER, RICHARD, US  
 (73) Propriétaire/Owner:  
 ETHICON ENDO-SURGERY, INC., US  
 (74) Agent: OGILVY RENAULT LLP/S.E.N.C.R.L.,S.R.L.

(54) Titre : MECANISME D'AVANCEMENT A LEVIER DE TIGE DE RETENUE POUR LAME COURBE ET AGRAFEUSE  
 (54) Title: RETAINING PIN LEVER ADVANCEMENT MECHANISM FOR A CURVED CUTTER STAPLER



(57) Abrégé/Abstract:

A surgical instrument adapted for applying a plurality of surgical fasteners to body tissue is provided. The surgical instrument comprises a frame having a proximal and a distal end, with a handle positioned at the proximal end and an end effector

(57) **Abrégé(suite)/Abstract(continued):**

positioned at the distal end. The end effector is shaped and dimensioned for supporting a cartridge housing and an anvil, the cartridge housing and anvil being relatively movable between a first spaced apart position and a second position in close approximation with one another. The instrument further comprises a firing mechanism associated with the end effector and the cartridge housing for selective actuation of the fastening elements for treatment of an individual and a retaining pin for enclosing tissue between the anvil and the cartridge housing, the retaining pin being movable relative to the cartridge housing under the control of a retaining pin actuation mechanism. The retaining pin actuation mechanism includes a lever rotationally connected to the handle for facilitating both manual and automatic advancement of the retaining pin and requiring manual retraction of the retaining pin.

**ABSTRACT**

A surgical instrument adapted for applying a plurality of surgical fasteners to body tissue is provided. The surgical instrument comprises a frame having a proximal end and a distal end, with a handle positioned at the proximal end and an end effector positioned at the distal end. The end effector is shaped and dimensioned for supporting a cartridge housing and an anvil, the cartridge housing and anvil being relatively movable between a first spaced apart position and a second position in close approximation with one another. The instrument further comprises a firing mechanism associated with the end effector and the cartridge housing for selective actuation of the fastening elements for treatment of an individual and a retaining pin for enclosing tissue between the anvil and the cartridge housing, the retaining pin being movable relative to the cartridge housing under the control of a retaining pin actuation mechanism. The retaining pin actuation mechanism includes a lever rotationally connected to the handle for facilitating both manual and automatic advancement of the retaining pin and requiring manual retraction of the retaining pin.

## BACKGROUND OF THE INVENTION

### 1. Field of the Invention

The present invention relates to a surgical stapling and cutting instrument adapted for use in the diagnosis and therapy of pathologies treated by stapled resection. More particularly, the invention relates to a retaining pin lever employed in the advancement mechanism of a surgical stapling and cutting instrument.

### 2. Description of the Prior Art

Within the field of surgery the need to surgically seal tissue and to cut tissue is quite commonplace. Sealing of tissue may be accomplished by numerous sealing devices, such as, surgical staplers. Cutting of tissue may be accomplished by numerous cutting devices, such as, scalpels or surgical scissors. Stapling and cutting of tissue in several steps during a surgical procedure adds time and potential complications to the procedure. In order to reduce the procedural steps and the time needed for performing various surgical procedures, surgical stapling and cutting instruments have been developed which simultaneously perform the steps of stapling and cutting tissue.

As those skilled in the art can certainly appreciate, it is desirable that such surgical stapling and cutting instruments allow for multiple cutting and stapling actions during a single procedure.

Many current surgical stapling and cutting instruments provide stapling and cutting mechanisms that operate in the same direction during device actuation, or firing; that is, linear surgical stapling devices. For instance, the staple formation and the tissue cutting occur through the same plane on the tissue. These devices generally utilize an anvil, which holds staple pockets (or staple forming surfaces) and a washer, and a cartridge housing, which holds staples and a knife. The anvil is generally a permanent element of the device and the cartridge housing is either a permanent element (single-fire) or a reloadable element (multiple-fire).

Tissue is captured between the anvil and the cartridge housing of the device. A device called a retaining pin runs between the cartridge housing and the anvil. The purpose of the retaining pin is two fold. First, the retaining pin helps align the cartridge housing with the anvil to ensure the staples in the cartridge housing line up with the anvil pockets in the anvil so good staples are formed upon actuation of the surgical stapling and cutting instrument. Second, the retaining pin acts as a wall to capture the tissue between the anvil and the cartridge housing. Clamping of the device moves the cartridge housing to a set distance from the anvil to apply pressure to the tissue.

During clamping and releasing, certain surgical devices use mechanisms to automatically advance the retaining pin to capture the tissue. Activation of the device

moves the staples from the cartridge housing toward the anvil. The staples puncture the captured tissue and then contact anvil pockets on the anvil, which form the staples into desired shapes to provide a seal.

In conjunction with the staple formation, actuation of the device also moves the knife from the cartridge housing toward the anvil. The knife pushes the tissue toward the anvil and, upon contact of the knife with the washer on the anvil, cutting of the tissue is facilitated. This cutting is similar to that which is performed on a cutting board.

The advancement of the retaining pin is important to surgeons and to the procedure, thus some desire to manually advance the retaining pin prior to closure of the instrument as it make it easier to locate the instrument on the specific tissue to be retained and then cut and sealed. Others, however, prefer to have the retaining pin advance automatically with operation of the instrument and don't want to be bothered with manually advancement and retraction. In staplers that perform both of these functions, automatic advancement as well as allow manual advancement, the retaining pin of will automatically retract should the surgeon reopen the stapler in order to reposition the stapler. This may allow the tissue to move out of the stapler and cause the surgeon to delay the procedure while the tissue is repositioned and the retaining pin is once again advanced into the anvil.

As such, a need exists for a improved retaining pin advancement mechanism. The present invention provides such an improvement whereby a surgeon can control the retaining pin actuation mechanism. The retaining pin actuation mechanism including a lever rotationally connected to the handle for facilitating both manual and automatic advancement of the retaining pin and requiring manual retraction of the retaining pin.

BRIEF DESCRIPTION OF THE DRAWINGS

Figure 1 is a perspective view of the linear surgical stapler in accordance with the present invention.

Figure 2 is perspective view of the linear surgical stapler with the cartridge module removed.

Figure 3 is a perspective view of the linear surgical stapler with the cartridge housing moved to an intermediate position.

Figure 4 is a perspective view of the linear surgical stapler with the cartridge housing moved to a closed position.

Figure 5 is a perspective view of the linear surgical stapler with the firing trigger in a firing position.

Figure 6 is an exploded view of the cartridge module.

Figure 7 is a front perspective view of the cartridge module with the retainer secured thereto.

Figure 8 is a front perspective view of the cartridge module with the retainer removed.

Figure 9 is a rear perspective view of the cartridge module showing the cartridge housing slot in substantial detail.

Figures 10, 11 and 12 show the assembly of the retainer.



Figure 13 is a partial cross-sectional view of the linear surgical stapler in an unactuated orientation.

Figure 14 is a exploded view of the pin actuation mechanism.

Figure 15 is a partial cross sectional view of the linear surgical stapler with the closure trigger slightly retracted.

Figure 16 is a partial cross sectional view of the linear surgical stapler with the closure trigger nearly fully retracted.

Figure 17 is a partial cross sectional view of the linear surgical stapler with the closure trigger fully retracted.

Figure 18 is a partial cross sectional view of the linear surgical stapler with the firing trigger and closure trigger fully retracted.

Figure 19 is partial cross sectional view of the linear surgical stapler after the surgeon depresses the release button.

Figure 20 is a partial cross sectional view of the linear surgical stapler upon release of the closure and firing triggers without returning to an intermediate detent position.

Figure 21 -29 show the insertion of a cartridge module and the removal of the retainer.

Figures 30-38 show the various steps involved in the actuation of the present linear surgical stapler.

Figures 39 and 40 are detailed front views of the cartridge housing.

## DESCRIPTION OF THE PREFERRED EMBODIMENTS

The detailed embodiments of the present invention are disclosed herein. It should be understood, however, that the disclosed embodiments are merely exemplary of the invention, which may be embodied in various forms. Therefore, the details disclosed herein are not to be interpreted as limiting, but merely as the basis for teaching one skilled in the art how to make and/or use the invention.

With reference to the various figures, a surgical instrument 20 adapted for applying a plurality of surgical fasteners to body tissue is disclosed. The surgical instrument 20 includes a frame having a proximal end and a distal end, with a handle 21 positioned at the proximal end and an end effector 80 positioned at the distal end. The end effector 80 is shaped and dimensioned for supporting a cartridge housing 121 and an anvil 122. The cartridge housing 121 and anvil 122 are relatively movable between a first spaced apart position and a second position in close approximation with one another. The instrument 20 also includes a firing mechanism associated with the end effector 80 and the cartridge housing 121 for selective actuation of the fastening elements for treatment of an individual. The instrument further includes a retaining pin 125 for enclosing tissue between the anvil 122 and the cartridge housing 121, the retaining pin 125 being movable relative to the cartridge housing 121 under the control of a retaining pin actuation mechanism 100. The retaining pin actuation

mechanism 100 includes a yoke 111 rotationally connected to the handle 21 for facilitating both manual and automatic advancement of the retaining pin 125 and requiring manual retraction of the retaining pin 125.

Referring to FIGURE 1 in combination with FIGURES 2 to 5, there is shown a surgical stapling and cutting instrument, in particular, a linear surgical stapler 20 which is designed to staple and cut tissue. The linear surgical stapler 20 has a handle 21 at a first proximal end and an end effector 80 at an opposite distal end. The end effector 80 is curved in accordance with a preferred embodiment of the present invention. Right and left hand structural plates (often called "handle plates") 34, 35, respectively, connect the handle 21 to the end effector 80 of the instrument (the left hand handle plate is not shown in FIGURE 1). The handle 21 has a right hand shroud 22 coupled to a left hand shroud (the left hand shroud is not shown in FIGURE 1). The handle 21 also has a body portion 23 to grip and maneuver the linear surgical stapler 20 (see FIGURES 2 to 5).

The end effector 80 is a surgical fastening assembly that includes a cartridge module 120 (see FIGURES 6 to 9) and a U-shaped supporting structure 81. The distal end 30 of a closure member 28 is disposed to receive the cartridge module 120. The end effector 80 also includes a safety lockout mechanism 180 (best seen in FIGURE 31) for preventing the firing of a previously fired cartridge module 120. The cartridge

module 120 contains a cartridge housing 121 coupled to an anvil 122. The cartridge module 120 also includes a retaining pin 125, a knife 126, a removable retainer 160, a tissue contacting surface 127 which displays a plurality of staple-containing slots 128 in staggered formation in one or more rows (that is, staple lines) on either side of the knife 126. Staples (not shown) are fired from the cartridge housing 121 against staple-forming surface 129 of the anvil 122 that faces the tissue-contacting surface 127 of the cartridge housing 121.

As will become apparent based upon the following disclosure, the present linear surgical stapler 20 is designed as a multiple firing device with a replaceable cartridge module 120. However, it should be understood that many of the underlying concepts of the present invention may be equally applied in single firing devices without departing from the spirit of the present invention.

The supporting structure 81 of the end effector 80 is respectively attached to the right and left handle plates 34, 35, by a shoulder rivet 82 and posts 83 which extend from the supporting structure 81 into receiving holes in the handle plates 34, 35. In accordance with a preferred embodiment of the present invention, the supporting structure 81 is formed via a single piece construction. More specifically, the supporting structure 81 is formed by extrusion, for example, of aluminum, with subsequent machining to create the supporting structure 81 disclosed in accordance

with the present invention. By constructing the supporting structure 81 in this manner, multiple parts are not required and the associated cost of manufacture and assembly is substantially reduced. In addition, it is believed the unitary structure of the supporting structure 81 enhances the overall stability of the present linear surgical stapler 20. In addition, the unitary extruded structure of the supporting structure 81 provides for a reduction in weight, easier sterilization since cobalt irradiation will effectively penetrate the extruded aluminum and less trauma to tissue based upon the smooth outer surface achieved via extrusion.

The handle 21 of the linear surgical stapler 20 includes a handgrip 24 which the surgeon grasps with the palm of his hand (see FIGURES 2 to 5). The hand grip 24 is composed of a right hand shroud handle 25 (see FIGURE 1) and a left hand shroud handle (the left hand shroud handle is not shown in FIGURE 1). Pivotaly extending from the underside of the handle 21 are a closure trigger 26 and a firing trigger 27. The linear surgical stapler 20 illustrated in FIGURE 1 is shown with the closure and firing triggers 26, 27 in their unactuated positions and with a cartridge module 120 inserted and the retainer 160 removed. Consequently, the cartridge housing 121 is spaced from the anvil 122 for the placement of tissue between the cartridge housing 121 and the anvil 122.

The handle 21 of the linear surgical stapler 20 contains a tissue retaining pin actuation mechanism 100. The tissue retaining pin actuation mechanism 100 includes a saddle shaped slide 101 positioned on the top surface of the handle 21. Manual movement of the slide 101 results in distal movement of the push rod 102. The push rod 102 is coupled to the retaining pin 125 of the cartridge module 120. The distal movement or proximal retraction of the push rod 102 results in corresponding movement of the retaining pin 125. The retaining pin actuation mechanism 100 is also releasably coupled to the closure trigger 26 within the handle 21 such that actuation of the closure trigger 26 will result in automatic distal movement of the retaining pin 125 if it has not already been manually moved to its most proximal position.

More particularly, and as discussed below in greater detail, a retaining pin 125 in accordance with the preferred embodiment of the present invention is associated with the retaining pin actuation mechanism 100 for advancing the retaining pin 125 through the cartridge housing 121 and into the anvil 122 to thereby capture tissue. The present retaining pin actuation mechanism 100 can be used in conjunction with linear surgical stapler devices that utilize corresponding washers 123 and knives 126 for cutting. In general, the present retaining pin actuation mechanism 100 allows for manual closing and retracting of the retaining pin 125. If the surgeon does not manually close the

retaining pin 125, the lever mechanism of the present retaining pin actuation mechanism 100 will do it automatically during instrument clamping. As will be discussed below in greater detail, the retaining pin actuation mechanism 100, and particularly, the lever or yoke 111, will not automatically retract the retaining pin 125.

The present retaining pin actuation mechanism 100 is limited to the actuation of a retaining pin 125. The present design gives a surgeon the freedom to advance and retract the retaining pin 125 manually. Some surgeons prefer to advance the retaining pin 125 manually prior to closure for ease in locating the instrument on specific tissues in the human body. If the surgeon chooses, the retaining pin 125 will automatically advance when the instrument is closed. In accordance with such an embodiment, the surgeon will have to manually retract the retaining pin 125. It is further contemplated that a coupler could be added for automated retraction of the retaining pin, if desired.

In accordance with the preferred embodiment of the present invention, the retaining pin actuation mechanism 100 includes a yoke 111 rotationally connected to the handle 21 via a pivot pin 112. In addition to other functionalities described below in greater detail, the yoke 111 functions as a distance multiplier. During instrument actuation, the closure member 28 moves linearly, rotating the yoke 111 that advances the retaining pin 125. In accordance with a preferred embodiment of the present invention, the total linear movement of the closure member 28 is .70 inches. The



angular movement of the yoke 111 pushing the retaining pin 125 an additional .70 inches which results in a total linear movement of the retaining pin 125 of 1.4 inches.

The yoke 111 is not directly attached to the retaining pin 125 so the surgeon, if they chose, can advance the retaining pin 125 manually. The retaining pin 125 will advance automatically if the surgeon chooses to leave the retaining pin 125 alone. The surgeon must retract the retaining pin 125 manually.

By constructing the retaining pin actuation mechanism 100 in this manner, manual closing and retracting of the retaining pin 125 is permitted. If the surgeon does not manually close the retaining pin 125, the present retaining pin actuation mechanism 100 will do it automatically during instrument clamping.

Referring briefly to FIGURES 2 to 5, there is illustrated what happens when the cartridge module 120 is loaded and the closure and firing triggers 26, 27 are sequentially squeezed toward the hand grip 24 to actuate the end effector 80 of the linear surgical stapler 20. The linear surgical stapler 20 is loaded with the cartridge module 120, as shown in FIGURE 2, and the retainer 160 is removed. The linear surgical stapler 20 is now ready to receive tissue as shown in FIGURE 1.

When the closure trigger 26 is partially squeezed to rest in its first detent position shown in FIGURE 3, the cartridge housing 121 moves from its fully opened position to an intermediate position between the open and closed positions as

discussed below in greater detail. Simultaneously, the tissue retaining pin actuation mechanism 100 moves the retaining pin 125 forward from the cartridge housing 121 through an opening in the anvil 122. In this position, tissue which has been placed between the cartridge housing 121 and the anvil 122 can be properly positioned, and the retention of the tissue between the cartridge housing 121 and the anvil 122 is assured. Therefore, when the closure trigger 26 has been actuated to its intermediate position, the cartridge housing 121 and anvil 122 are correspondingly positioned in their tissue retaining positions.

When the closure trigger 26 is fully squeezed so that it is adjacent the forward end of the hand grip 24, as illustrated in FIGURE 4, the tissue contacting surface 127 of the cartridge housing 121 and the staple-forming surface 129 of the anvil 122 are adjacent to each other, and the properly positioned and retained tissue is consequently fully clamped. Additionally, the firing trigger 27 has rotated counterclockwise toward the handgrip 24 to enable the surgeon to grasp the firing trigger 27 for the firing of staples. Accordingly, the firing trigger 27 is now in position for the surgeon to squeeze it to staple and cut the tissue. When the firing trigger 27 has been fully squeezed to fire the staples, as shown in FIGURE 5, the firing trigger 27 rests in near proximity to the closure trigger 26.

Referring now to FIGURES 6 to 9, a more detailed description of the cartridge

module 120 is presented. The present cartridge module 120 provides a cutting and sealing mechanism for utilization within the linear surgical stapler 20 wherein the stapling and cutting functions operate in the same direction during device actuation. Although the present cartridge module 120 is particularly adapted for use in conjunction with linear surgical stapling devices, the concepts of the present cartridge module 120 may be applied to other surgical devices without departing from the spirit of the present invention. In particular, the present cartridge module 120 provides that the knife 126 be utilized in conjunction with a corresponding washer 123 during the cutting process. The present cartridge module 120 ensures that multiple firings of the linear surgical stapler 20 will not compromising cutting performance. This is accomplished by incorporating the anvil 122, in particular, the cutting washing 123, with the cartridge module 120. By combining the washer 123 with the cartridge module 120, a new washer 123 is provided each time the cartridge module 120 is replaced, resulting in improved cutting performance.

Enhanced performance is further provided by positioning the anvil 122 and the cartridge housing 121 parallel such that they move relative to each other with the facing surfaces of the anvil 122 and the cartridge housing 121 maintained in a parallel orientation. This provides for an even distribution of pressure across the tissue, preventing squeezing of the tissue in a manner which might bunch the tissue and force

portions of the tissue out of the desired spaced defined between the anvil 122 and the cartridge housing 121.

More specifically, the cartridge module 120 includes a cartridge housing 121 that contains a plurality of staples (not shown) positioned in staple-containing slots 128. Immediately behind the staples is disposed a driver 131 which is disposed to push the staples out of the staple slots 128. A knife holder 130 is disposed immediately proximal of the driver 131 in the cartridge housing 121. The knife holder 130 contains a slot 172 and ledge 173 for interaction with a knife retractor hook 45 (see FIG. 37) the function of which will be discussed below in greater. The knife holder 130 is attached to a knife 126 that extends distally from the knife holder 130 through a slot 200 in the driver 131 and through a slot 199 in the cartridge housing 121.

The knife holder 130 has a detent post 138 that extends through a slot 137 in the cartridge housing 121. The knife holder detent post 138 is disposed to contact detent protrusion 139 of the cartridge slot 137 during the longitudinal travel of the knife 126 and the knife holder 130. Similarly, the driver 131 has a detent post 140 that is disposed to contact proximal and distal detent protrusions 141, 142, respectively, of the cartridge slot 137.

The knife 126 and slots 199, 200 are positioned such that there is at least one

row of staples on either side of the knife 126. In accordance with a preferred embodiment of the present invention, two rows of staple slots 128 (and two rows of staples) are provided on each side of the slot 199 of the cartridge housing 121.

The cartridge housing 121 contains two generally circular openings 143, 144 at either end of the knife slot 199. The general circular opening 143 at the base of the cartridge housing 121 is shaped and dimensioned for the passage of a guide pin 124 through the cartridge housing 121. The generally circular hole 144 at the top of the cartridge housing 121 is shaped and dimensioned for the passage of a retaining pin 125 through the cartridge housing 121. The staple slots 128 are arranged such that the staples laterally extend past the generally circular holes 143, 144.

In accordance with a preferred embodiment of the present invention, the anvil 122 includes a plastic washer 123 and a metallic staple-forming surface 129. The anvil 122 is disposed to maintain staple-forming surface 129 in a matching configuration. The retaining pin 125 is connected to a coupler 133 by a circumferential slot 135 in the retaining pin 125 and a groove 134 in the coupler 133 (best seen in FIGURE 14). The coupler 133 is disposed within an arm 145 of the cartridge housing 121 and is held into the arm 145 by an end cap 146.

The guide pin 124 and retaining pin 125 include respective slots 147a, 147b (best seen in FIGURES 8, 9, 36, 39 and 40) into which the ends 126a, 126b of the knife 126 are disposed. The guide pin 124 proximal end 148 is connected to the proximal end 149 of the anvil 122. The distal end 150 of the guide pin 124 extends from the cartridge housing 121 and extends through a slot 151 of the anvil 122. A cutting washer 123 slips onto the anvil 122 by means of a groove 152 on the anvil 122 that fits under a tongue 153 on the washer 123. The opposite end 154 of the cutting washer 123 slips under the anvil arm 155 and is pinned to the anvil arm 155 by a pin 156. In this position, the cutting surface 157 of the washer 123 extends up through a slot 151 of the anvil 122. The assembly of the cutting washer 123 to the anvil 122 traps the guide pin 124 into the opening formed by the anvil slot 151 and the cutting surface 157, thereby, operatively connecting the anvil 122 to the cartridge housing 121. The retainer 160 is attached to the cartridge module 120 as shown in FIGURE 7 to hold the components of the cartridge module 120 in a desired orientation until insertion into the end effector 80.

Turning to FIGURES 6 to 12 in combination with FIGURES 25 to 29, the retainer 160 will be described in more detail. The retainer 160 has a groove 161 that is disposed around a protrusion 159 of the cartridge housing 121. The retainer 160 contains a resilient inner spring arm 162 that is disposed for reciprocating movement

within the retainer 160. The retainer 160 includes containment slots 163 which extend partially around the guide pin 124. The spring arm 162 includes containment slots 164 which extend partially around the guide pin 124, but are configured to face in an opposing direction to the containment slots 163. The retainer 160 is positioned onto the cartridge module 120 such that the containment slots 163, 164 surround the guide pin 124 and trap the retainer 160 onto the cartridge module 120. The spring arm 162 includes a disengagement tab 165 which extends down from the retainer 160 below the anvil arm 155. As such, the retainer 160 is not easily removed from the cartridge module 120 until the cartridge module 120 is properly seated within the end effector 80. Upon proper seating of the cartridge module 120 within the end effector 80, the disengagement tab 165 engages the end effector 80 for release of the retainer 160.

Referring once again to FIGURE 1 in combination with FIGURE 2 and FIGURE 13, a more detailed description of the components of the linear surgical stapler 20 is provided. The linear surgical stapler 20 includes an elongated closure member 28, with a generally U shaped cross section, extending from the handle 21 into the surgical fastening assembly of the end effector 80. In accordance with a preferred embodiment of the present invention, the closure member 28 is a molded plastic member shaped for movement and functionality in accordance with the present invention. By manufacturing the closure member 28 from plastic, manufacturing costs

are reduced and the weight of the linear surgical stapler 20 is also reduced. In addition, the linear surgical stapler 20 is easier to sterilize with cobalt irradiation as plastic is easier to penetrate than stainless steel. In accordance with an alternate embodiment, the closure member may be made from extruded aluminum with the final features machined into place. While an extruded aluminum closure member might not be as easy to manufacture as the plastic component, it would still have the same advantages (i.e., elimination of components, easier to assemble, lower weight, easier to sterilize).

The distal portion of the closure member 28 passes through the walls 84 of the supporting structure 81. The distal end is disposed to receive and retain the cartridge housing 121 of the cartridge module 120. The central portion of the closure member 28 is positioned between the right and left handle plates 34, 35, respectively. Right and left hand closure links 36, 37, respectively, are pivotally attached at the right and left proximal ends of the closure member 28 by a first integral closure link pin 38. At the opposite end of the closure links 36, 37, the closure links 36, 37 are pivotally attached to a second integral closure link pin 39. The second integral closure link pin 39 connects the closure links 36, 37 to a slotted closure arm link 40. The slotted closure arm link 40 is pivotally mounted to the handle plates 34, 35 of the linear surgical stapler 20 at a closure trigger pivot pin 41. The closure trigger 26 descends



from the slotted closure arm link 40 for pivotal rotation about the closure trigger pivot pin 41 toward and away from the handgrip 24. A closure spring 42 housed within the hand grip 24 of the handle 21 is secured to the slotted closure arm link 40 to provide a desired resistance when the surgeon squeezes the closure trigger 26 toward the handle grip 24, and to bias the closure trigger 26 toward the open position.

Referring to FIGURES 13 and 14, the components of the retaining pin actuation mechanism 100 will now be described. The handle 21 contains a saddle shaped slide 101 mounted on top of the handle 21 for linear motion. The slide 101 is connected to a post 103 that extends outward from a push rod driver 104 through slots 105 (see FIGURE 2) in the handle 21. The push rod driver 104 is restrained for longitudinal movement along the long axis of the linear surgical stapler 20 by slots 105. The push rod driver 104 is connected to the push rod 102 by a circumferential groove 107 on the push rod 102 that snaps into a slot 108 of the push rod driver 104. The distal end of the push rod 102 contains a circumferential groove 109 that interconnects with a groove 132 in the proximal end of the coupler 133 of the cartridge module 120 (best seen in FIGURE 22). The distal end of the coupler 133 contains a groove 134 for interconnecting with a circumferential slot 135 on the retaining pin 125.

The closure member 28 contains posts 29 which extend laterally on both sides of the closure member 28 inside the handle 21. These posts 29 slidably connect to an L-shaped slot 110 of a yoke 111. The yoke 111 is pivotally mounted to the handle 21 by a pivot pin 112 on the yoke 111. The yoke 111 contains cam pins 113 positioned to push camming surfaces 114 on the push rod driver 104.

Referring to FIGURE 13 and FIGURE 37, the components of the firing transmission assembly will now be described. The firing transmission assembly has an elongated firing bar 43 extending from the handle 21 into the surgical fastening assembly of the end effector 80. The firing bar 43 is positioned within the U shaped cross section of the closure member 28. The distal end of the firing bar 43 extends into the cartridge housing 121 and is positioned just proximally of the knife holder 130 and driver 131. The distal end of the firing bar 43 is attached to a knife retractor 44 that has a knife retraction hook 45.

The firing bar 43 has a rectangular receiving slot 46 in that portion of the firing bar 43 that is housed within the handle 21 (see FIGURE 13). The first integral closure link pin 38 extends through the receiving slot 46. The firing bar 43 also has a proximal end section 47. The underside of the proximal end section 47 of the firing bar 43 has a sliding surface 48. The proximal end section 47 also has a terminal side engagement surface 49 extending from the sliding surface 48. The firing trigger 27 is pivotally

mounted to the handle plates 34, 35 by a firing trigger pivot pin 50 spaced from the closure trigger pivot pin 41 so that each of the pivot pins pivot about mutually independent axes. The firing trigger 27 includes an arcuate firing trigger link 51 extending from the firing trigger 27 at the firing trigger pivot pin 50 to an apex 52 which rests on the sliding surface 48 of the proximal end section 47 of the firing bar 43. Within the handle 21, the firing trigger 27 is attached to first and second firing trigger spring arms 53, 54, respectively. The firing trigger spring arms 53, 54 support a torsion spring (not shown) on the right half of the firing trigger 43. Finally, a firing bar return spring 55 is secured to the underside of the firing bar 43 at that portion of the firing bar 43 within the handle 21 to bias the firing bar 43 toward its unactuated position.

When the closure trigger 26 is squeezed toward the handgrip 24, the slotted closure arm link 40 and the closure links 36, move distally within the receiving slot 46 of the firing bar 43. This distal movement causes the closure member 28 to correspondingly move distally. Likewise, the firing bar 43 concurrently moves distally with the closure member 28 because the first integral closure link pin 38, to which the closure links 36, 37 are attached, extends through the receiving slot 46 in the firing bar 43.

The mechanism which defines an intermediate closure detent position and the release of the closure trigger 26 from an actuated position to its original unactuated position will now be described in connection with FIGURE 1 in combination with FIGURES 13 to 20. The top side of the slotted closure arm link 40 has a clamp sliding surface 56 that displays an intermediate detent 57 and a closure detent 58. A release pall 59 slides on the clamp sliding surface 56 and may engage the intermediate and closure detents 57, 58. The release pall 59 has a laterally extending pall lug 60 (best seen in FIGURE 1) at its distal end. The release pall 59 is located within the handle 21, and it is integrally attached to a release button 61 situated exteriorly of the handle 21. The release button 61 has a thumb rest 62, and the release button 61 is pivotally attached to the handle 21 by a release trunnion 63. The release button 61 is biased outwardly from the handle 21 and, therefore, the release pall 59 is biased downwardly toward the clamp sliding surface 56 by a release spring 64 which is mounted to the handle 21 by a spring retention pin 65 and mounted to the release button 61 by a button spring post 66. The slotted closure arm link 40 has an arcuate recess 67 located between the intermediate and closure detents 57, 58. Sitting within this arcuate recess 67 for rotational movement are a left hand toggle 68 integrally connected to a right hand toggle (the right hand toggle is not shown). Each toggle 68 has a toggle arm 69 that is engageable with the pall lug 60. The pall lug 60 has a

concave proximal surface 70 to provide clearance between the toggle arm 69 and the pall lug 60.

Referring to FIGURE 31 (cut away view into cartridge and supporting structure), the components of the fired device lockout mechanism 180 will now be described. The lockout mechanism 180 contains a lockout lever 181 that is pivotally mounted to the distal end 30 of the closure member 28 by a pin 182. The lockout lever 181 is spring biased down toward the base of supporting structure 81 by a spring (not shown). The lockout lever 181 contains a proximal and distal end 184, 185, respectively. The proximal end 184 has a cam surface 186 and locking groove 187. The supporting structure 81 of the end effector 80 contains a ledge 85 that is disposed to interact with locking groove 187 when the lockout mechanism 180 is engaged. The supporting structure 81 contains a base surface 86 between walls 84. The base surface 86 is disposed to interact with cam surface 186 when the lockout lever 181 is not engaged.

The operation of loading the cartridge module 120, the closure mechanism, the retaining pin mechanism, the firing transmission assembly, the intermediate and closure detents 57, 58, the release mechanism, and the lockout mechanism 180 will now be described. Referring to FIGURES 7 to 12 and FIGURES 21 to 28 the loading of the cartridge module 120 into the tissue end effector 80 is described. The

cartridge module 120 is shaped and dimensioned for selective insertion and removal from the tissue end effector 80 of the linear surgical stapler 20.

Prior to insertion of the cartridge module 120 into the end effector 80 of the linear surgical stapler 20, as seen in FIGURE 7, the retainer 160 can not easily be removed from the cartridge module 120 as the groove 161 is disposed around the protrusion 159 at the top end of the retainer 160 preventing disconnection. Further, the containment slots 163, 164 of the retainer are disposed around the guide pin 124 at the bottom of the retainer 160 preventing disconnection as shown in FIGURE 25.

The attached retainer 160 provides support to the structure of the cartridge module 120 and an extended surface area for gripping, both features making loading easier. The retainer 160 also prevents staples from dislodging from the cartridge housing 121 during casual handling and prevents the knife 126 from accidental exposure during casual handling.

Knife 126 movement and staple movement are further resisted prior to loading and during loading by a series of detents. Referring to FIGURE 9, detent post 138 on the knife holder 130 is prevented from proximal and distal movement by the detent protrusion 139 on the cartridge housing slot 137. The driver 131 is prevented from distal movement due to casual handling and during loading of the cartridge module 120 into the linear surgical stapler 20 by the interaction of the detent post 140 and the

detent protrusion 141 on the cartridge housing slot 137.

The cartridge module 120 is loaded into the tissue effector 80 such that the cartridge housing 121 slips into the distal end 30 of the closure member 28 as seen in FIGURES 21 to 24. Walls 31a and 31b on the closure member 28 slip into slots 170a, 170b of the cartridge housing 121 during loading. Simultaneously, tabs 174 (See FIGURE 8) slip into groove 88 of the U-shaped supporting structure 81. Loading of the cartridge module 120 is completed when the detents 171 snap onto the detent groove 32 of the closure member distal end 30, as shown in FIGURES 21 to 24.

In the position shown in FIGURE 24, the cartridge module 120 is fully loaded and the proximal groove 132 of the coupler 133 has engaged the distal circumferential groove 109 of the push rod 102 such that the retaining pin 125 in the cartridge module 120 has been connected to the retaining pin advancement mechanism 100. The slot 172 of knife holder 131 engages the knife retraction hook 45 during loading such that the hook 45 has engaged the retraction ledge 173 on the knife holder 130 at the completion of the cartridge module 120 loading.

At the completion of the cartridge module 120 loading a post 188 positioned on driver 131 contacts the distal end 185 of the lockout lever 181 (see FIGURE 31). This contact pivots the lockout lever 181 about the lockout lever pin 182 to a position such that the camming surface 186 is horizontally aligned with the base surface 86 of the U

shaped supporting structure 81.

The retainer 160 can now be removed from the end effector 80. Specifically, completion of loading the cartridge module 120 causes the disengagement tab 165 to contact the supporting structure 81 (See FIGURE 23), resulting in an upward movement of the spring arm 162 when the cartridge module 120 is fully loaded as in FIGURE 24. This upward movement displaces containment slots 164 upward such that the guide pin 124 is no longer contained (see FIGURES 25 and 26). Referring now to FIGS 27 to 29, a removal force applied to the thumb pad 166 results in the retainer 160 pivoting outward about protrusion 159 until the groove 161 is able to slip off protrusion 159. Removal of the retainer 160 allows for the loaded linear surgical stapler 20 to be utilized.

In FIGURE 15, the closure trigger 26 has been partially squeezed from its open, unactuated position illustrated in FIGURES 1 and 13. When the closure trigger 26 is partially squeezed, it pivots about the closure trigger pivot pin 41 in a counterclockwise direction toward the handgrip 24. As it pivots, the slotted closure arm link 40 and closure plate closure links 36, 37 move forwardly, consequently moving the closure member 28 and firing bar 43 distally. As the slotted closure arm link 40 moves forwardly, the pall lug 60 of the release pall 59 slides on the clamp sliding surface 56. The pall lug 60 engages the distal ends of the toggle arms 69 of the



toggles 68, and consequently pivots the toggles 68 in a clockwise direction. As the slotted arm closure link 40 continues to move forwardly in response to the pivotal movement of the closure trigger 26 toward the handgrip 24, the pall lug 60 of the release pall 59 will eventually lodge into the intermediate detent 57. Once positioned in the intermediate detent 57, the closure spring 42 is incapable of returning the closure trigger 26 to its original, unactuated position. The closure trigger 26 is now in its intermediate, partially closed position, to properly position and retain tissue between the cartridge housing 121 and anvil 122, as shown in FIGURE 15. In addition, as the closure member 28 and firing bar 43 move distally, the apex 52 of the arcuate firing trigger link 51 slides on the sliding surface 48 of the proximal end section 47 of the firing bar 43.

During the closing stroke from the open to the intermediate position the retaining pin mechanism 100 is activated. Forward movement of the closure member 28 moves the integral posts 29 distally. The posts 29 contact the L-shaped slot 110 of the yoke 111. Hence, distal movement of the posts 29 cam the L-shaped slot 110 causing the yoke to pivot around pins 112. The rotation brings bearing posts 113 on the yoke 111 into contact with camming surfaces 114 on the push rod driver 104. Further rotational movement of the yoke 111 causes bearing posts 113 to move the push rod driver 104 distally through camming contact on surfaces 114. The push rod

driver 104 contacts the push rod 102, moving the push rod 102 distally. The push rod 102, in turn, moves the coupler 133 and retaining pin 125 distally. Completion of the closing stroke to the intermediate detent 57 position results in the retaining pin 125 moving distally through the hole 144 of the cartridge housing 121, the slot of the anvil 151, the hole in the washer 170 and into the hole 89 (not shown) in the supporting structure 81. Tissue, which was disposed between the contact surface 127 of the cartridge housing 121 and the anvil 122, is now trapped between retaining pin 125 and the guide pin 124.

This same result can be obtained prior to closing by manual distal movement of saddle slide 101. Slide movement will result in forward movement of the push rod 102, coupler 133 and retaining pin 125 until the retaining pin 125 is fully disposed through the anvil 122, washer 123 and hole 89 in the supporting structure 81. Activation of the closing stroke after the retaining pin 125 has been manually moved forward would still result in the rotation of the yoke 111 as described above but without any additional movement of the retaining pin actuation mechanism 100.

The closing stroke from the open to the intermediate detent 57 position moves the lockout lever 181 distally as it is attached to closure member 28 by the pin 182 as shown in FIGURE 31 (open) and FIGURE 32 (intermediate position). Distal movement of the lockout lever 181 causes the camming surface 186 to contact the

lockout ledge 85 of the support 81, resulting in the lockout lever 181 rotating clockwise and coming to slidable contact with base surface 86 of supporting structure 81. In this position, the distal end 185 of the lockout lever 181 has rotated away from post 188 on driver 131.

Referring now specifically to FIGURE 16, when the closure trigger 26 is squeezed toward the handgrip 24 from the intermediate detent 57 position, the toggle arms 69 of the toggle 68 disengage from the pall lug 60. Consequently, as the toggle 68 continues to rotate in a clockwise direction, the release pall lug 60 rides up the toggle arms 69 and with continued motion of the closure trigger 26 falls into the closure detent 58. As the release pall 59 rides up the toggle arm 69 it rotates the release button 61 clockwise around pivot 63. As the release pall 60 falls into closure detent 58, it makes an audible clicking sound alerting the surgeon that closure position has been reached.

In addition, as the firing bar 43 continues to move forwardly, the apex 52 of the arcuate firing trigger link 51 comes into contact with the side engagement surface 49 of the proximal end section 47 of the firing bar 43. Consequently, the firing trigger 27 is moving into a position where it can continue to move the firing bar 43 distally to fire staples after the tissue has been fully clamped. When the apex 52 of the arcuate firing trigger link 51 moves into engagement with the engagement surface 49 of the proximal

end section 47, the firing trigger 27 begins to pivotally rotate in a counterclockwise direction toward the hand grip 24 in response to the action of a torsion spring on the right hand side of the trigger 27 (torsion spring not shown). The firing trigger 27 pivots independently of the pivotal movement of the closure trigger 26, but its pivotal rotation is blocked until the firing bar 43 has moved distally to enable engagement of the firing trigger link 51 with the terminal engagement surface of the firing bar 43.

Turning specifically to FIGURE 17, when the closure trigger 47 has been fully squeezed and it is adjacent the handgrip 24, the pall lug 60 at the distal end of the release pall lodge 59 into the closure detent 58. In the closure detent 58 position, the tissue has been fully clamped between the cartridge housing 121 and anvil 122, and the closure spring 42 is incapable of returning the closure trigger 26 to its original position. Therefore, the closure trigger 26 is retained in the position shown in FIGURE 4.

Concurrently with the counterclockwise motion of the closure trigger 26, the firing trigger 27 continues to rotate counterclockwise by the action of the torsion firing bar return spring 55 until the firing trigger 27 is in a relatively vertical orientation with respect to the handle 21 of the linear surgical stapler 20. In the fully clamped position, the apex 52 of the arcuate firing trigger link 51 has fully engaged the engagement surface of the proximal end section 47 of the firing bar 43 and, therefore, the firing trigger 27 is in a position to further move the firing bar 43 distally to fire staples into

the tissue.

In the fully closed position the staple pockets 128 of the cartridge housing 121 are aligned with the staple-forming surface 129 of the anvil 122 as shown in FIGURE 33. The retaining pin 125 has aligned the top of the anvil 122 and the cartridge housing 121 and the guide pin 124 has aligned the bottom of the cartridge housing 121 with the bottom of the anvil 122.

As illustrated in FIGURE 18 and FIGURE 34, the firing trigger 27 can be squeezed to pivotally rotate it toward the hand grip 24 until it is positioned adjacent the closure trigger 26. During the pivotal rotation of the firing trigger 27, the firing bar 43 moves distally, contacts the knife holder 130. The resulting distal movement of the knife holder 130 results in contact with the knife 126 and driver 131. Distal movement of the driver 131 results in the staples (not shown) to be distally advanced into the staple forming surfaces 129 of the anvil 122 resulting in staple formation of a generally B shape. The knife 126 distally advances in slots 147 of the guide pin 124 and the retaining pin 125 in conjunction with staple formation. These slots 147 guide the knife 126 onto the cutting surface 157 of cutting washer 123 resulting in the transection of any tissue caught between.

Release of manual pressure to the firing trigger 27 results in the firing bar return spring 55 to retract the firing bar 43 and returns the firing trigger 27 to the position

shown in FIGURE 17. This movement results in the retraction hook 45 to retract on the retraction ledge 173 on the knife holder 130 and knife 126. The resulting proximal movement retracts the knife 126 into the cartridge housing 121 as shown in FIGURE 35. Detent post 138 on the knife holder 130 retracts into engagement with the detent 139 on the cartridge housing 121 to hold the knife holder 130 and knife 126 in this retracted position. The driver 131 is retained in its distal most (fired) position by engagement of the detent post 140 on the driver 131 engaging detent 142 of the cartridge slot 137.

Should there be an interference on the knife 126, as from the user cutting into another surgical instrument by mistake, such that the force from the firing bar return spring 55 is insufficient to retract the firing bar 43 and thus retract the knife 126 into the cartridge housing 121, the user can manually retract the cutting system by pulling clockwise on the firing trigger 27. The manual clockwise movement causes the arcuate firing trigger link 51 to rotate clockwise until it strikes a firing bar retraction tab 71 on the proximal end 47 of the firing bar 43. The contact between the clockwise moving arcuate firing trigger link 51 and the firing bar retraction tab 71 cause the firing bar 43 to retract proximally and return to the position shown in FIGURE 17. This in turn causes the retraction hook 45 to retract on the retraction ledge 173 on the knife holder 130 and knife 126. Thus, this safety feature allows for the user to retract the cutting

mechanism to a safe position and return the firing system to a position that would allow the linear surgical stapler 20 to be opened as will now be described.

Referring to FIGURE 19, when the surgeon depresses the release button 61, the release pall 59 pivots about the release trunnion 63 in a clockwise direction to dislodge the pall lug 60 from the closure detent 58 position. As it is dislodged, the pall lug 60 rides on the toggle arms 69 to bypass the intermediate detent position 57 on clamp link 40. In this manner, the closure and firing triggers 26, 27 can return to their original, unactuated positions in response to the bias created from the closure spring 42 and firing bar return spring 55. When the pall lug rides 60 on the toggle arms of the toggles 68, the toggle arms 69 rotate counterclockwise as the closure and firing triggers 26, 27 rotate in a clockwise direction to return to their original unactuated positions. Therefore, the surgeon can release the closure and firing triggers 26, 27 so that they can return to the positions illustrated in FIGURE 20 without unnecessarily returning to the intermediate detent 57 position.

The release of the linear surgical stapler 20 to the open position shown in FIGURE 20 causes the closure member 28 and the attached lockout lever 181 to retract to the full open position as shown in FIGURE 36. In this position the post 188 on the driver 131 is no longer disposed to hold down the lockout lever distal end 185. The driver 131, as described above, has been detented into place in the forward

position by post 140 and the cartridge detent 142. Hence, when the lockout lever 181, whose proximal end 184 slides along support arm surface 86, is fully retracted it is now free to rotate counter-clockwise and drop lockout groove 187 below ledge 85 on the U-shaped supporting structure 81. The lockout lever 181 will remain in this position when the cartridge module 120 is removed as shown in FIGURE 37.

Any future attempt to close the linear surgical stapler 20 which has been fired will result in the lockout groove 187 hooking into the ledge 85 as shown in FIGURE 38, supplying feedback to the user of a previously fired device. This same feature will engage if the retainer 160 has been removed prior to loading and the cartridge module 120 has been misloaded without the cartridge module 120 being in the right position. In this case the driver post 188 would not be in the right position to move lockout lever 181 into the position to be cammed up onto surface 86 as described above. Similarly, a cartridge module 120 which has already been fired would also not release the lockout mechanism 180. It is important to note that there is closure stroke travel allowed in the lockout mechanism 180 prior to engagement of the lockout groove 187 hooking into the ledge 85. This travel indicates to the user that the device is not jammed due to some malfunction as might be the reaction if the lockout mechanism 180 had no travel. Hence, the user knows that the device is not jammed but incorrectly loaded when the lockout mechanism engages.



After release of the device back to the open position shown in FIGURES 1 and 2, the retaining pin mechanism 100 must be manually retracted by pulling proximally on saddle 101. The retraction causes the retaining pin 125 to retract back into the cartridge housing 121. At the completion of the manual retraction the fired cartridge module 120 can be unloaded and replaced with a new cartridge module 120.

While the preferred embodiments have been shown and described, it will be understood that there is no intent to limit the invention by such disclosure, but rather, is intended to cover all modifications and alternate constructions falling within the spirit and scope of the invention.

CLAIMS

1. A surgical instrument adapted for applying a plurality of surgical fasteners to body tissue, the surgical instrument comprising:

a frame having a proximal end and a distal end, with a handle positioned at the proximal end and an end effector positioned at the distal end;

the end effector being shaped and dimensioned for supporting a cartridge housing and an anvil, the cartridge housing and anvil being relatively movable between a first spaced apart position and a second position in close approximation with one another;

a firing mechanism associated with the end effector and the cartridge housing for selective actuation of the fastening elements for treatment of an individual; and

a retaining pin for enclosing tissue between the anvil and the cartridge housing, the retaining pin being movable relative to the cartridge housing under the control of a retaining pin actuation mechanism;

the retaining pin actuation mechanism includes a lever rotationally connected to the handle for facilitating both manual and automatic advancement of the retaining pin and requiring manual retraction of the retaining pin.

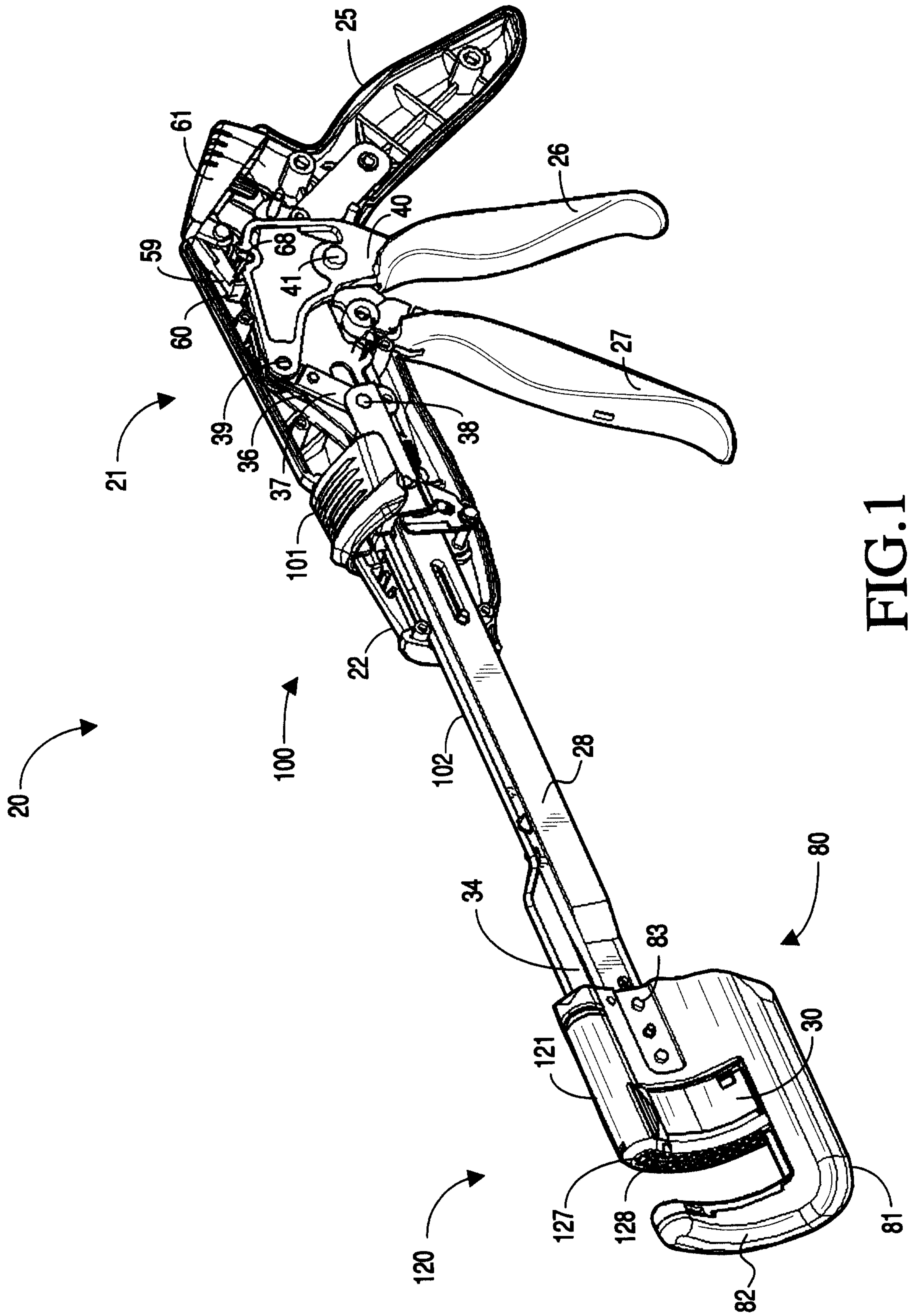


FIG.1

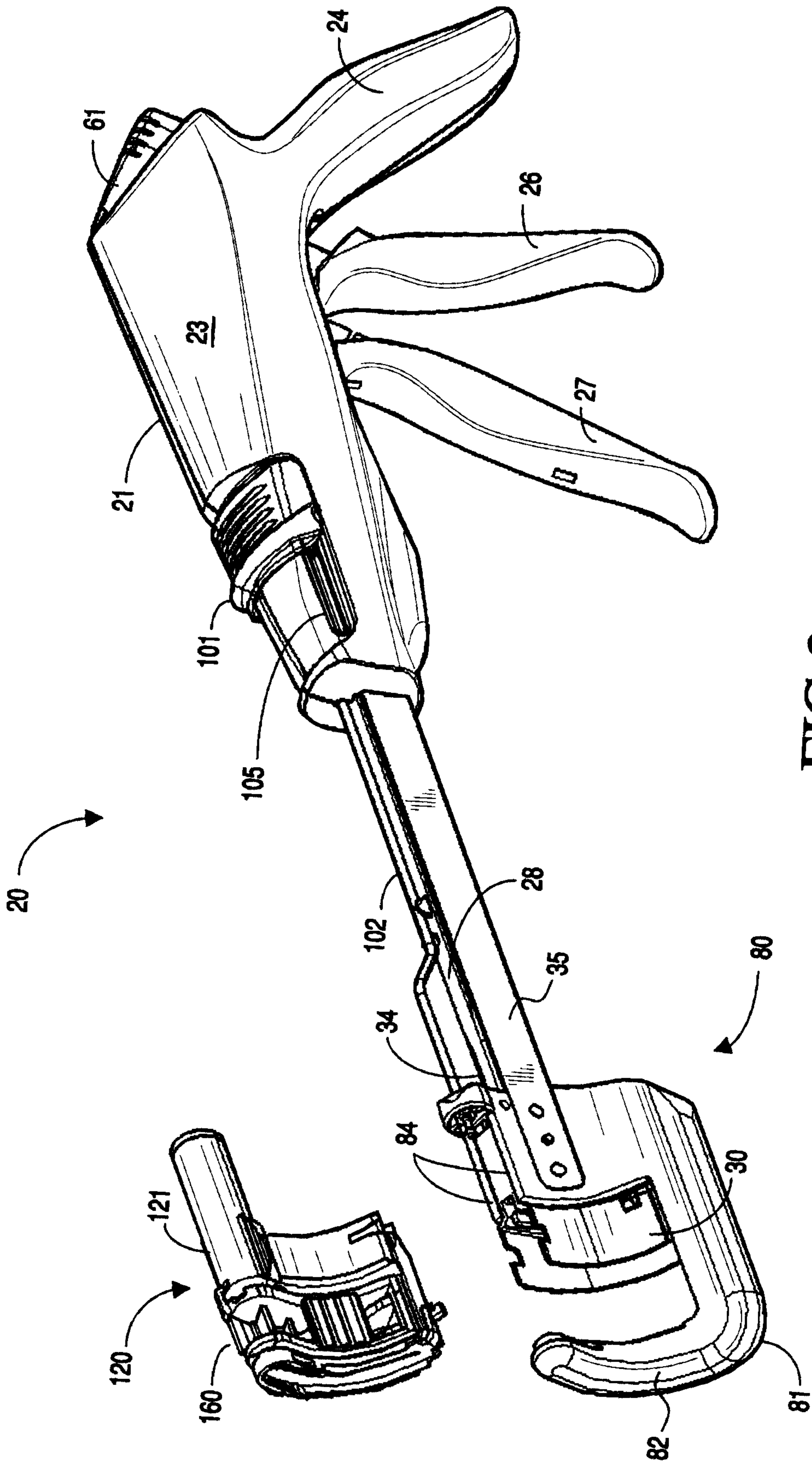
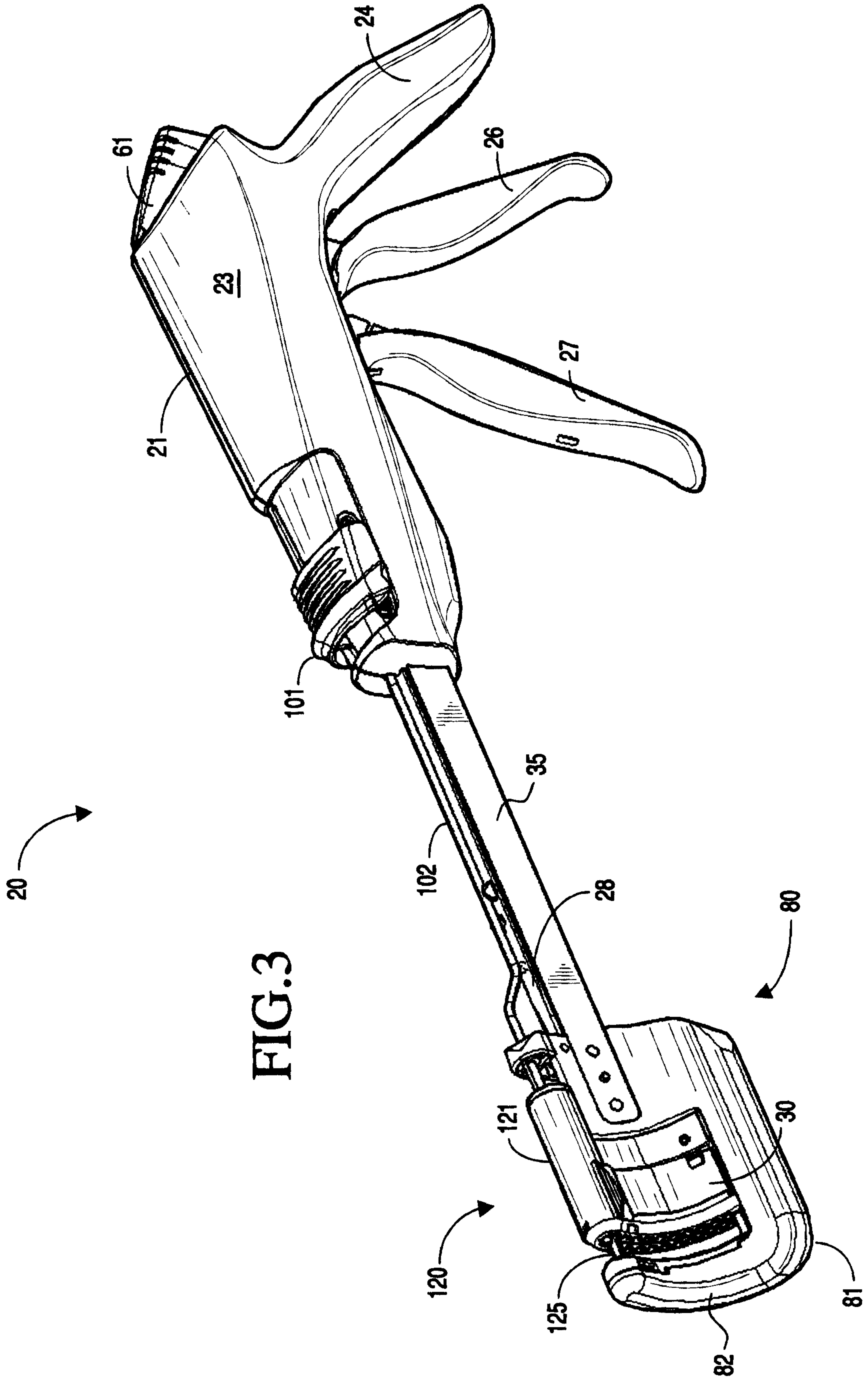


FIG.2



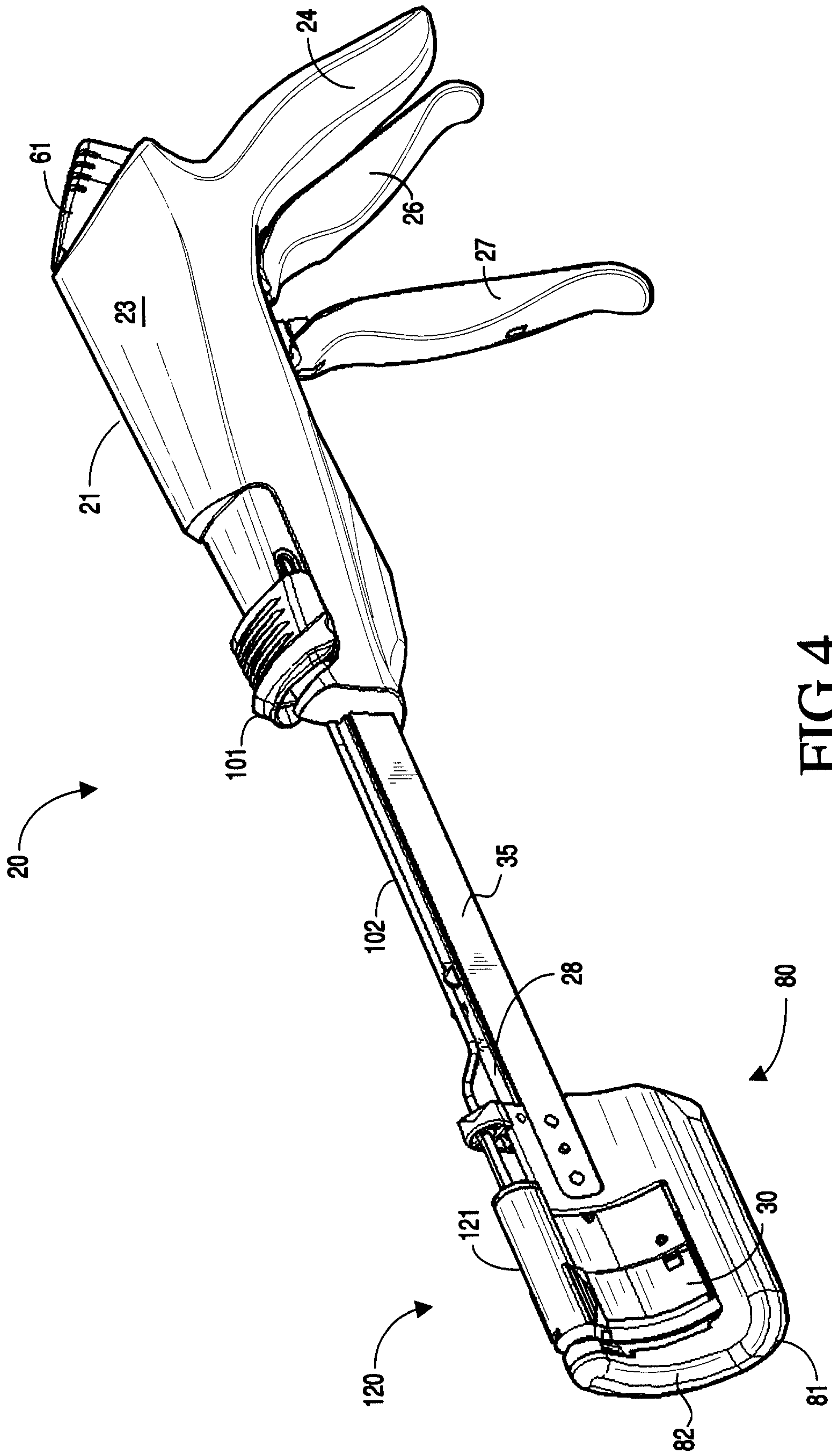


FIG.4

5/36

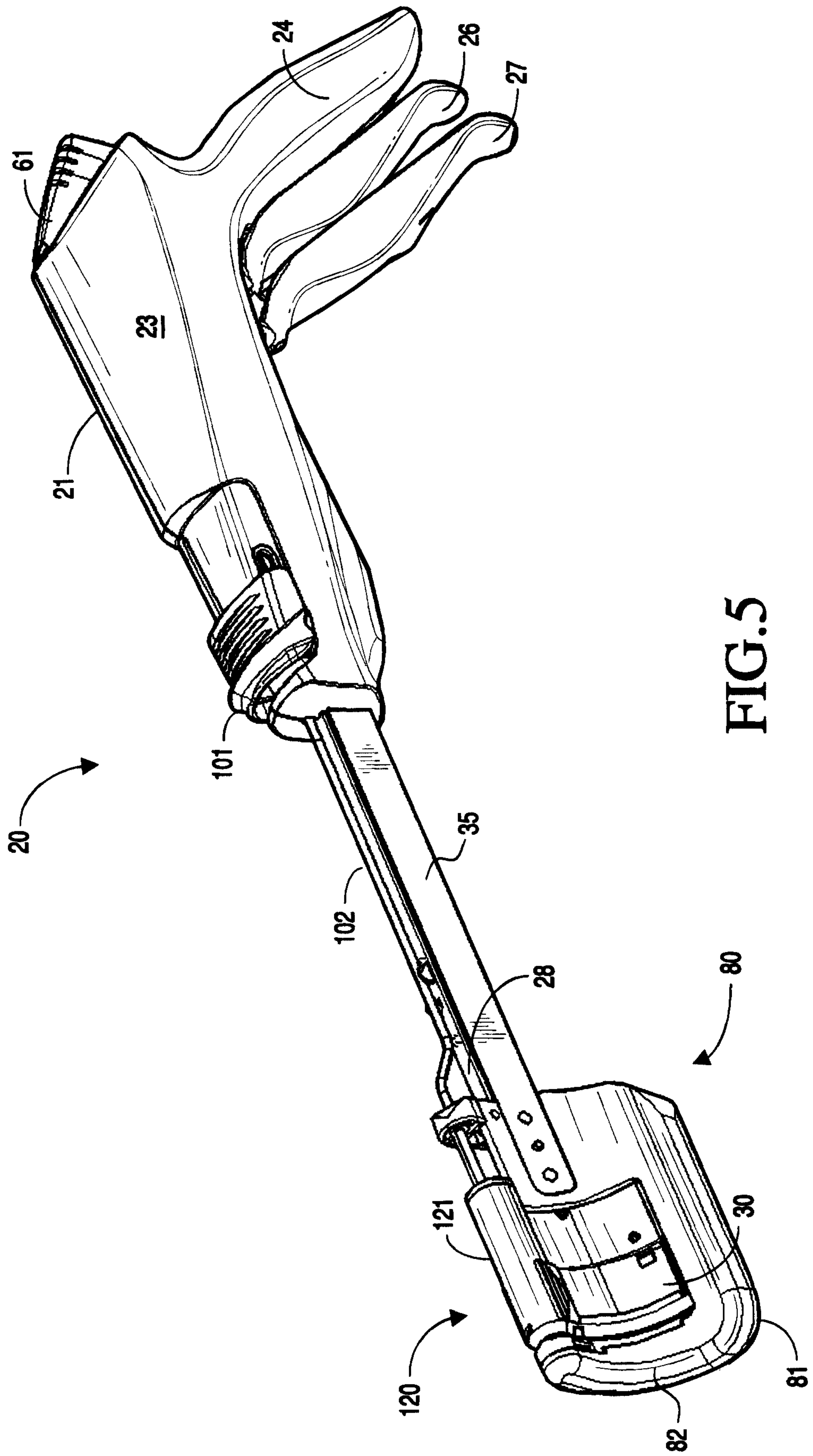
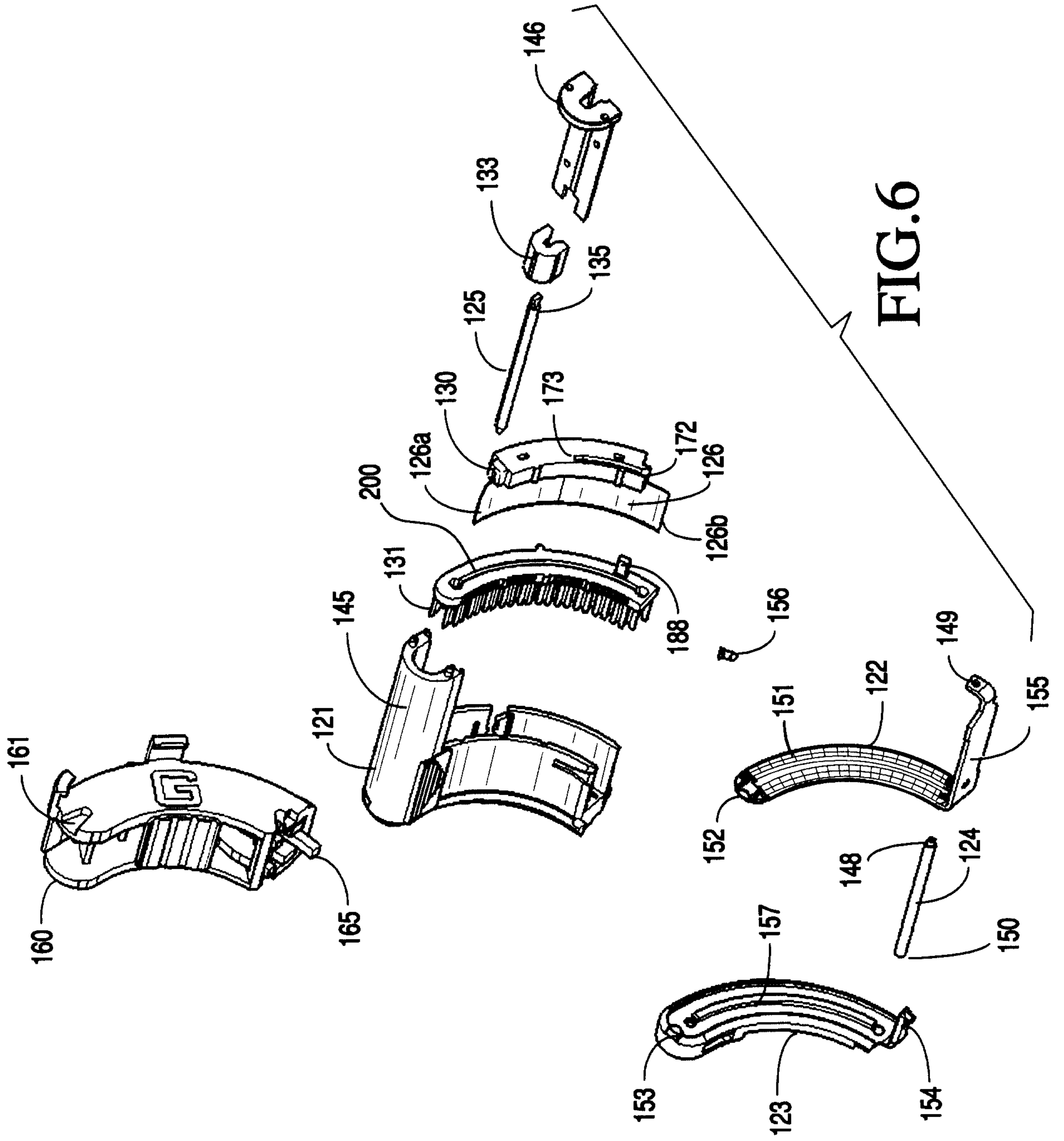


FIG. 5





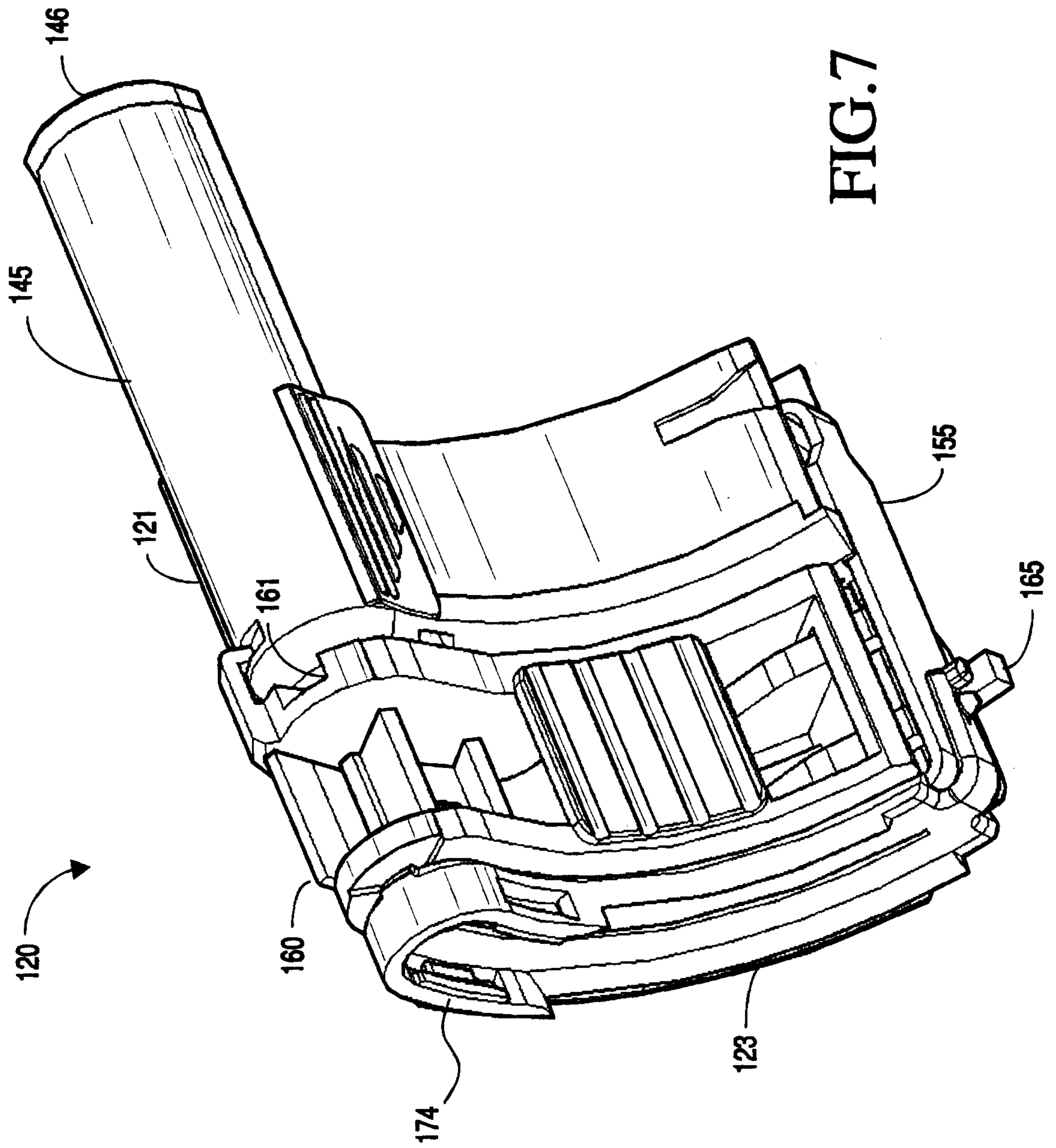


FIG. 7

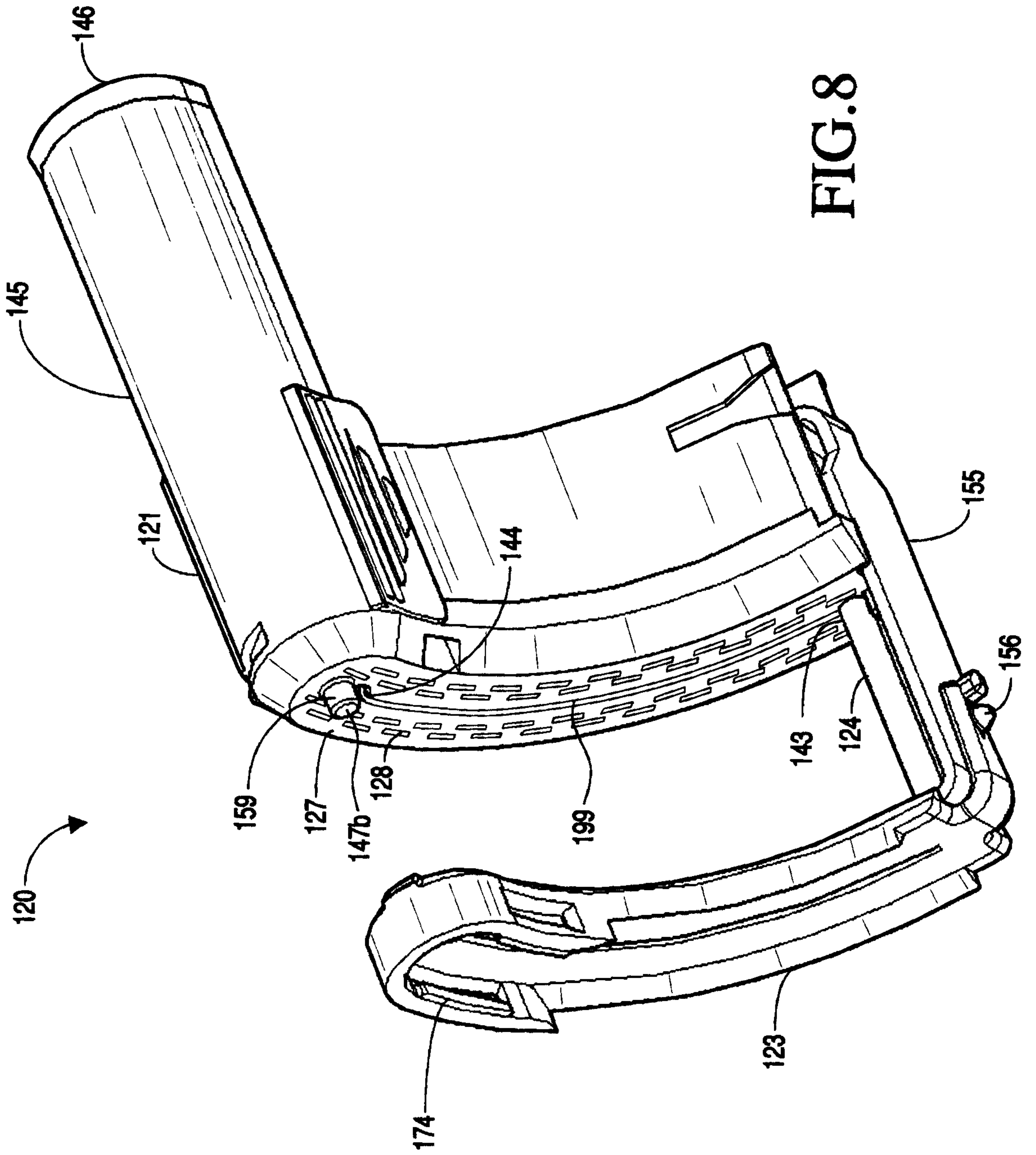


FIG.8

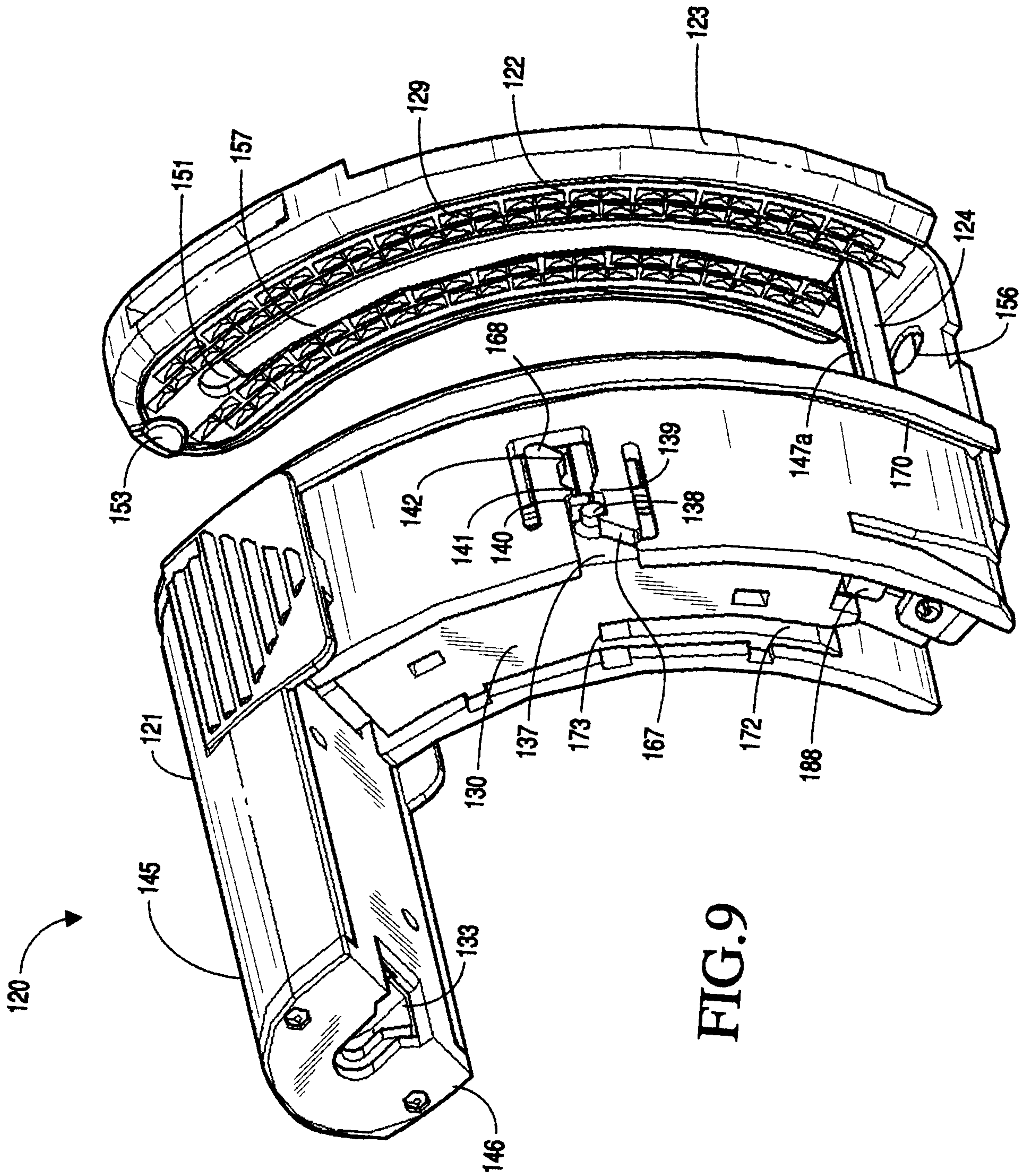
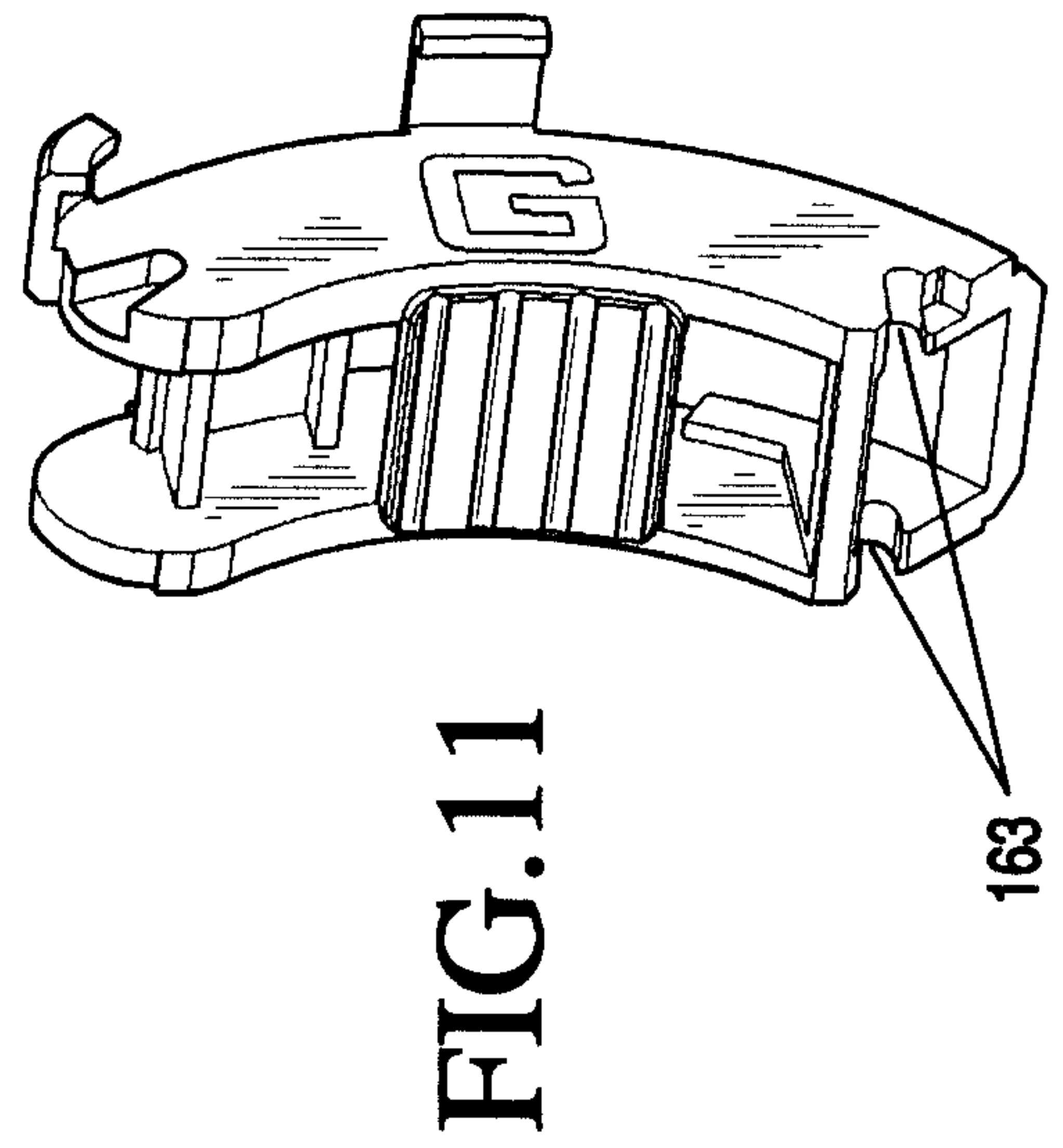
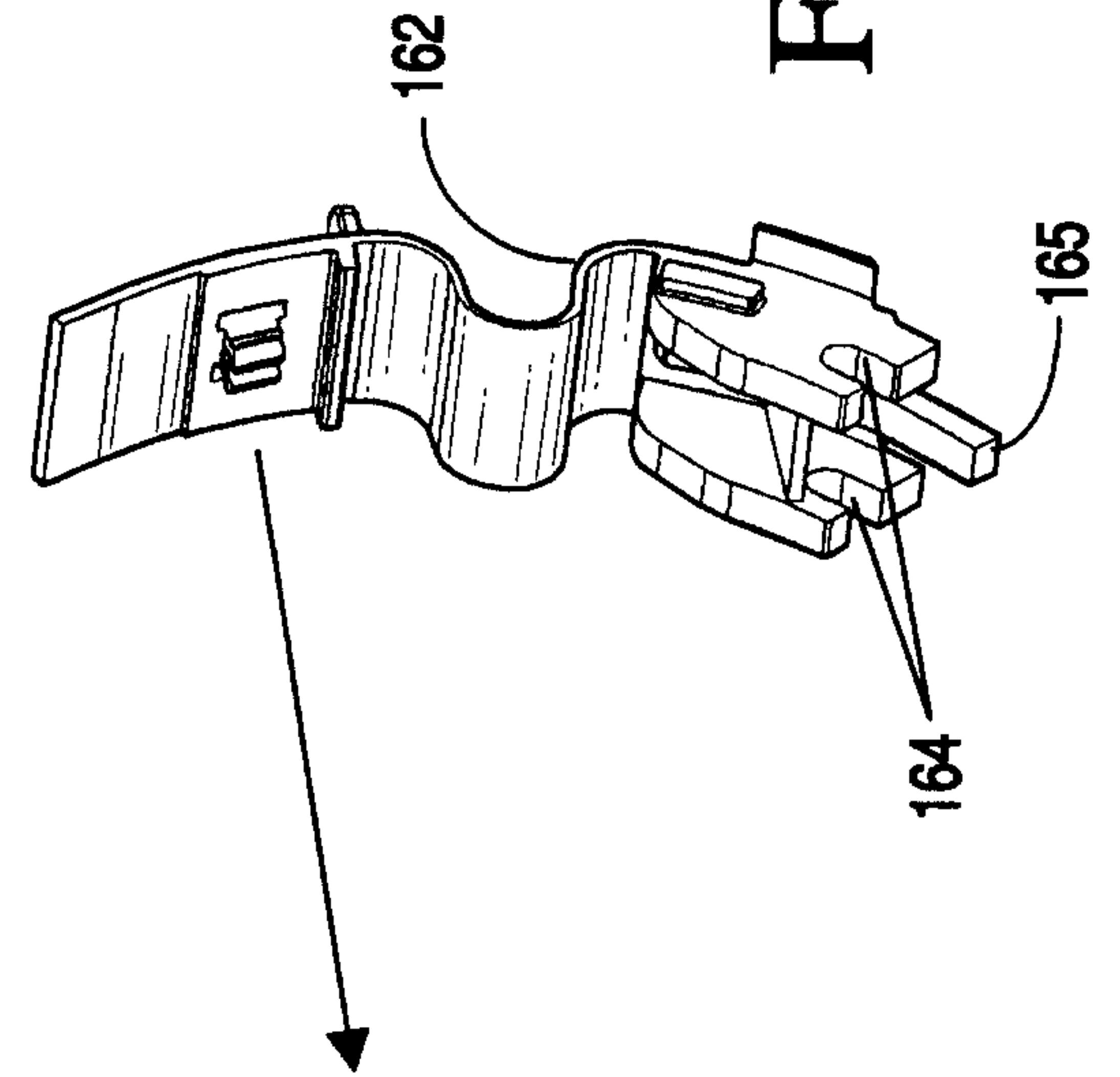
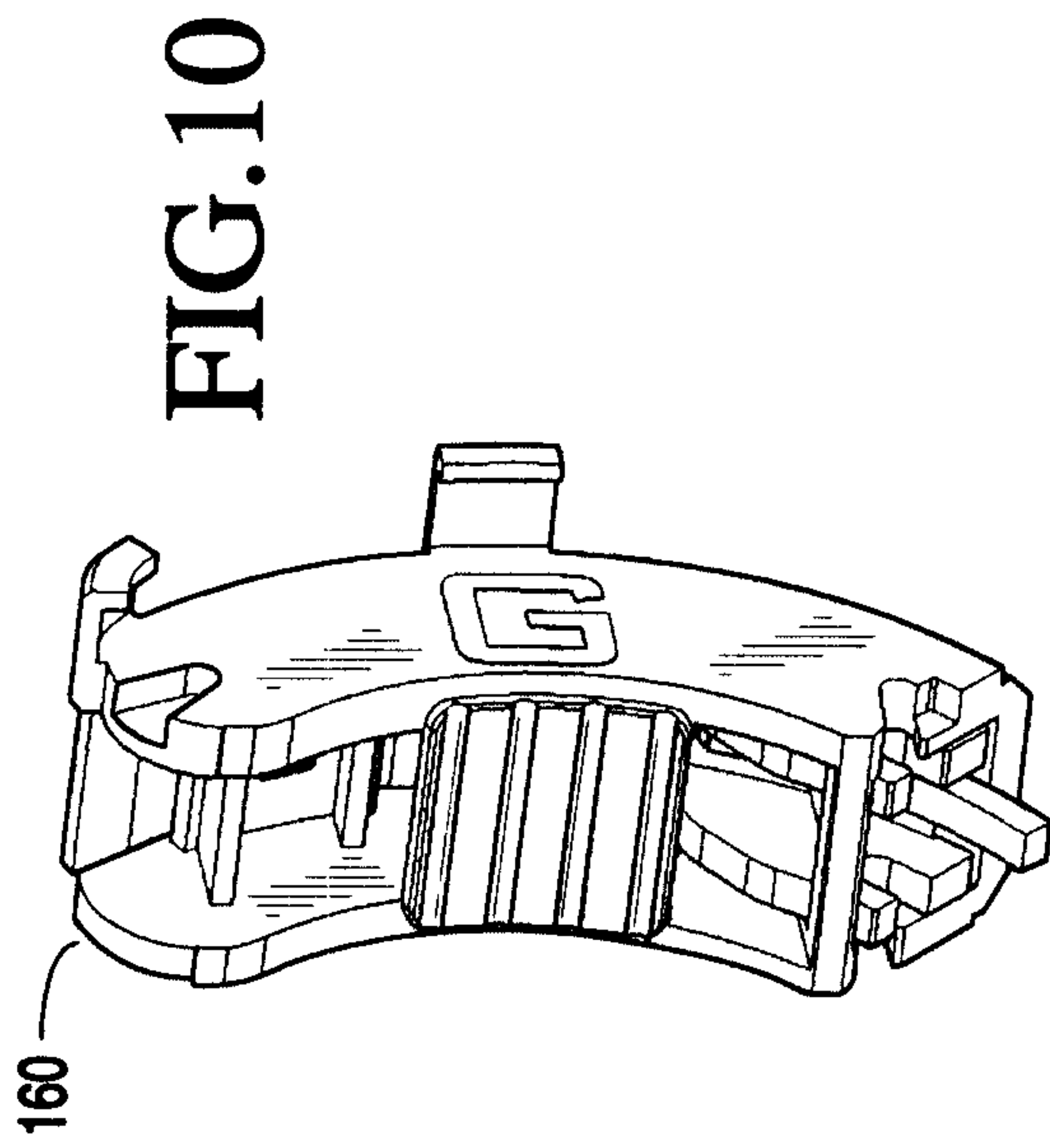


FIG. 9



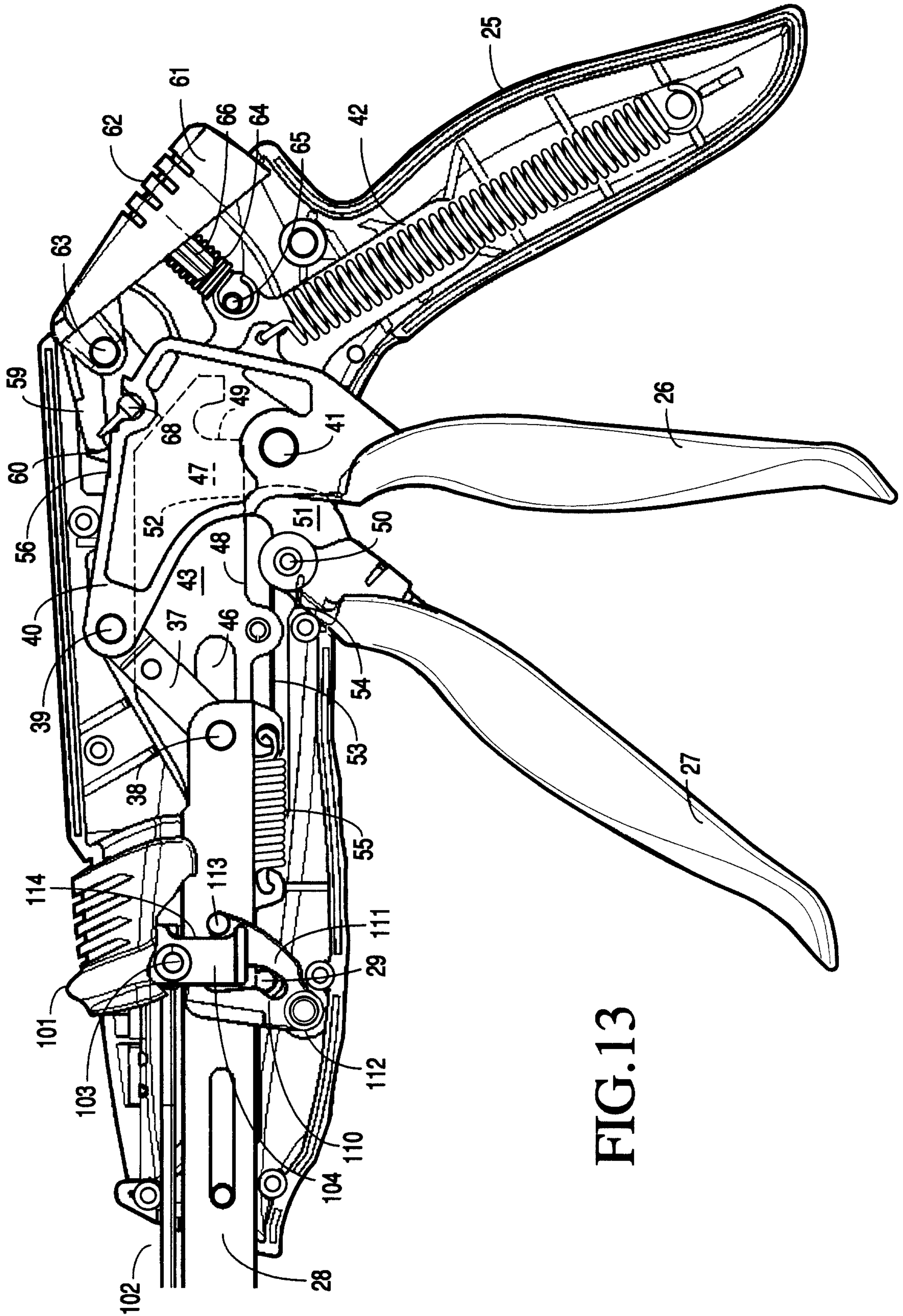


FIG.13

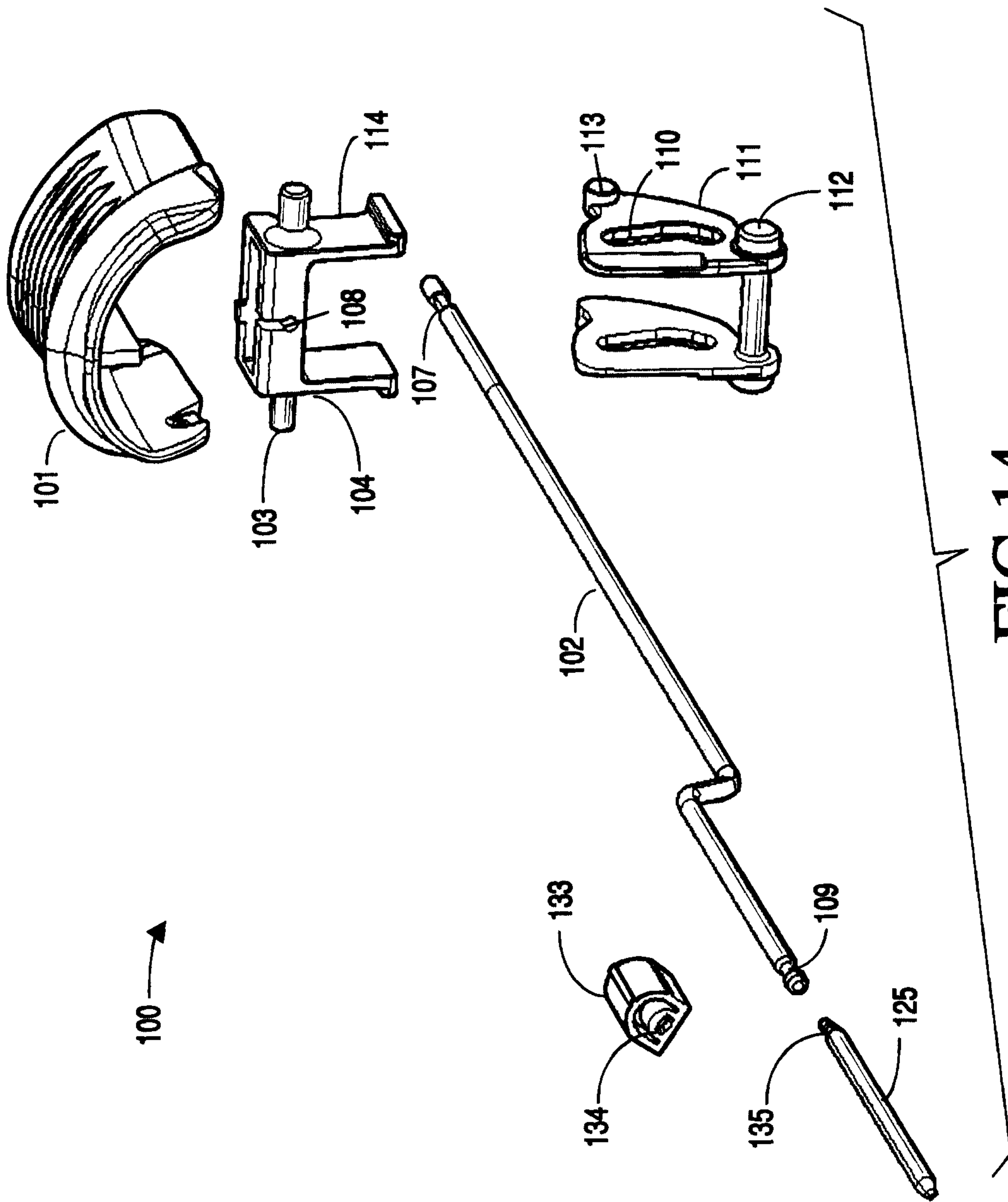


FIG.14

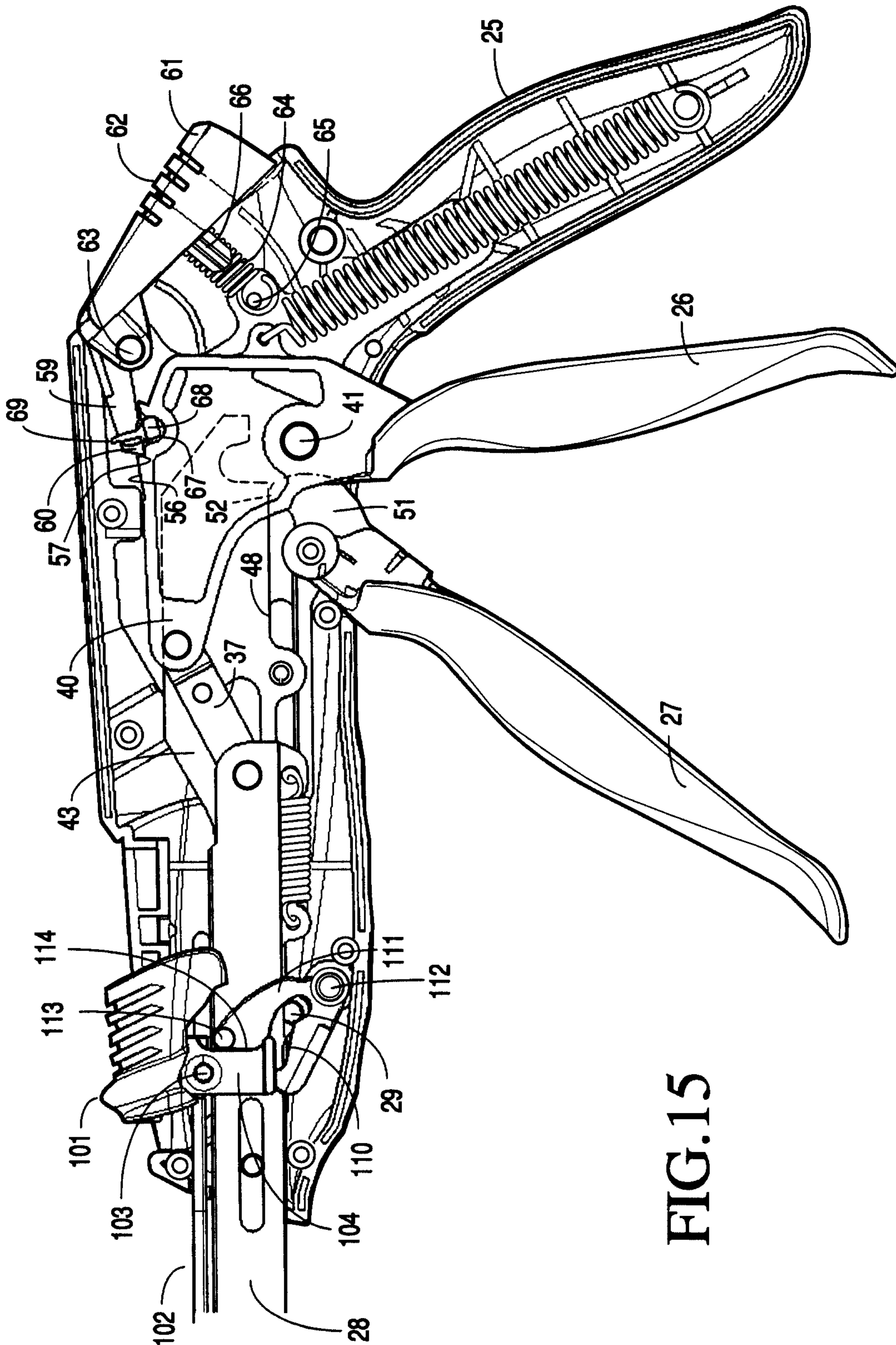


FIG.15

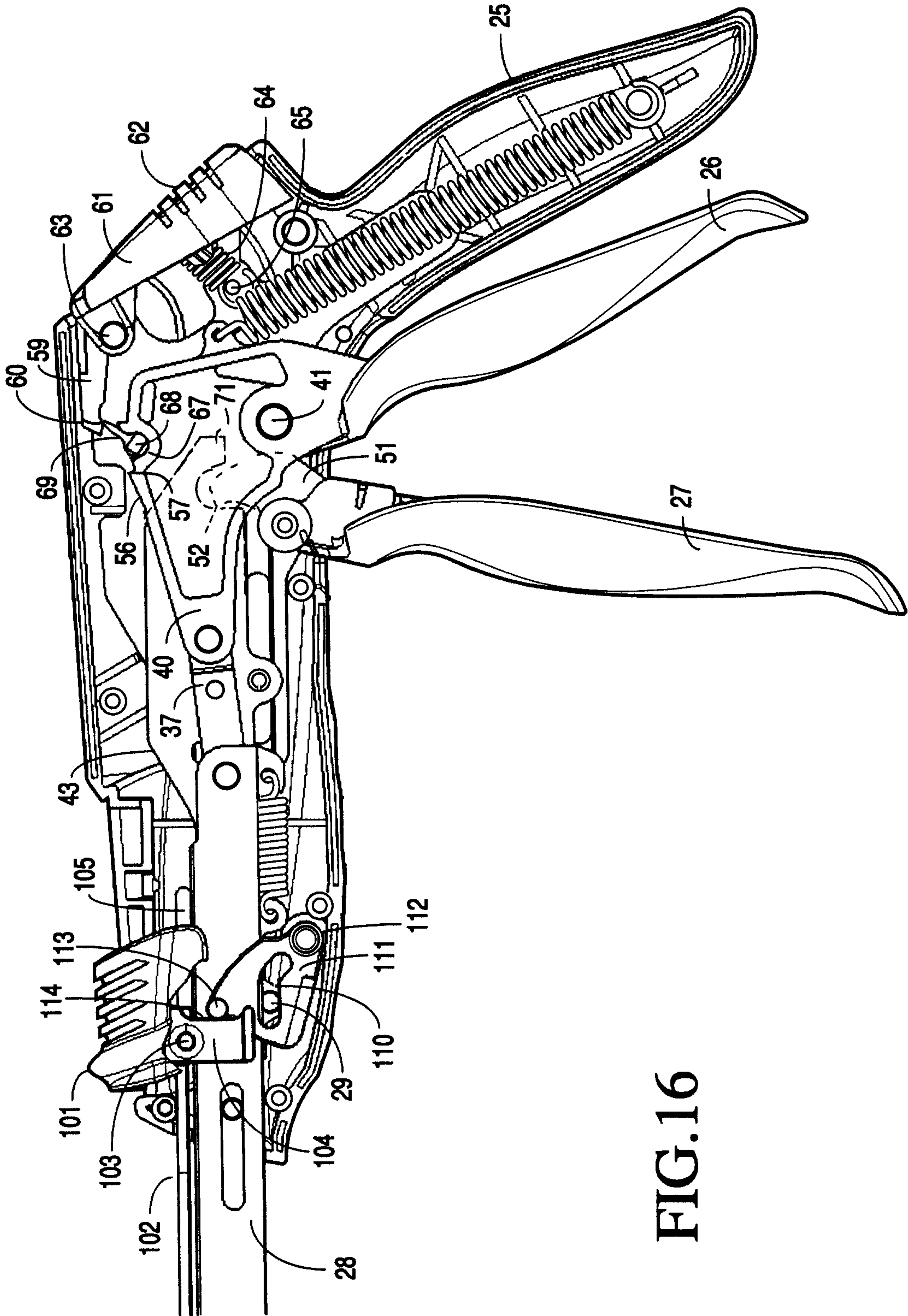


FIG.16



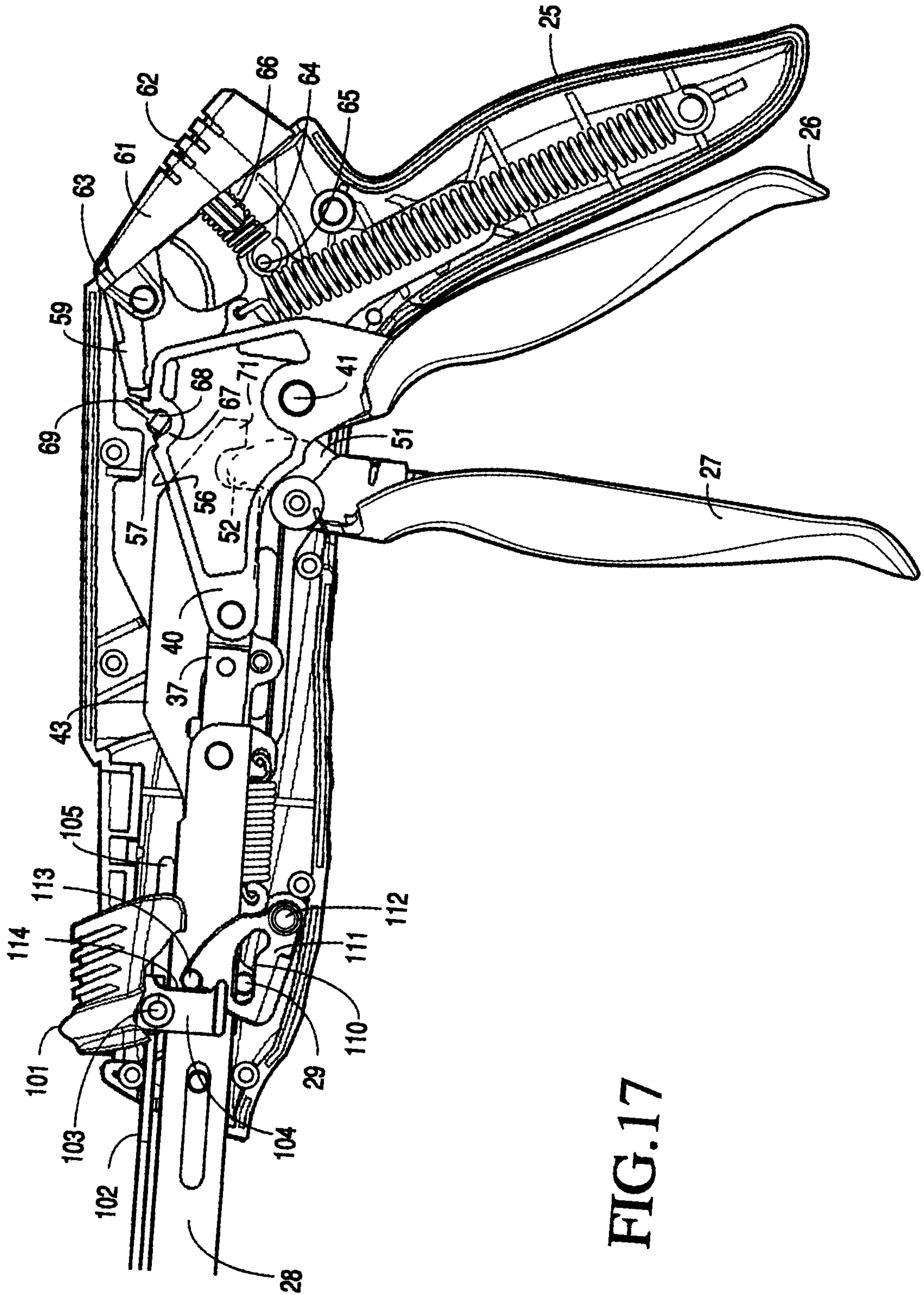


FIG.17

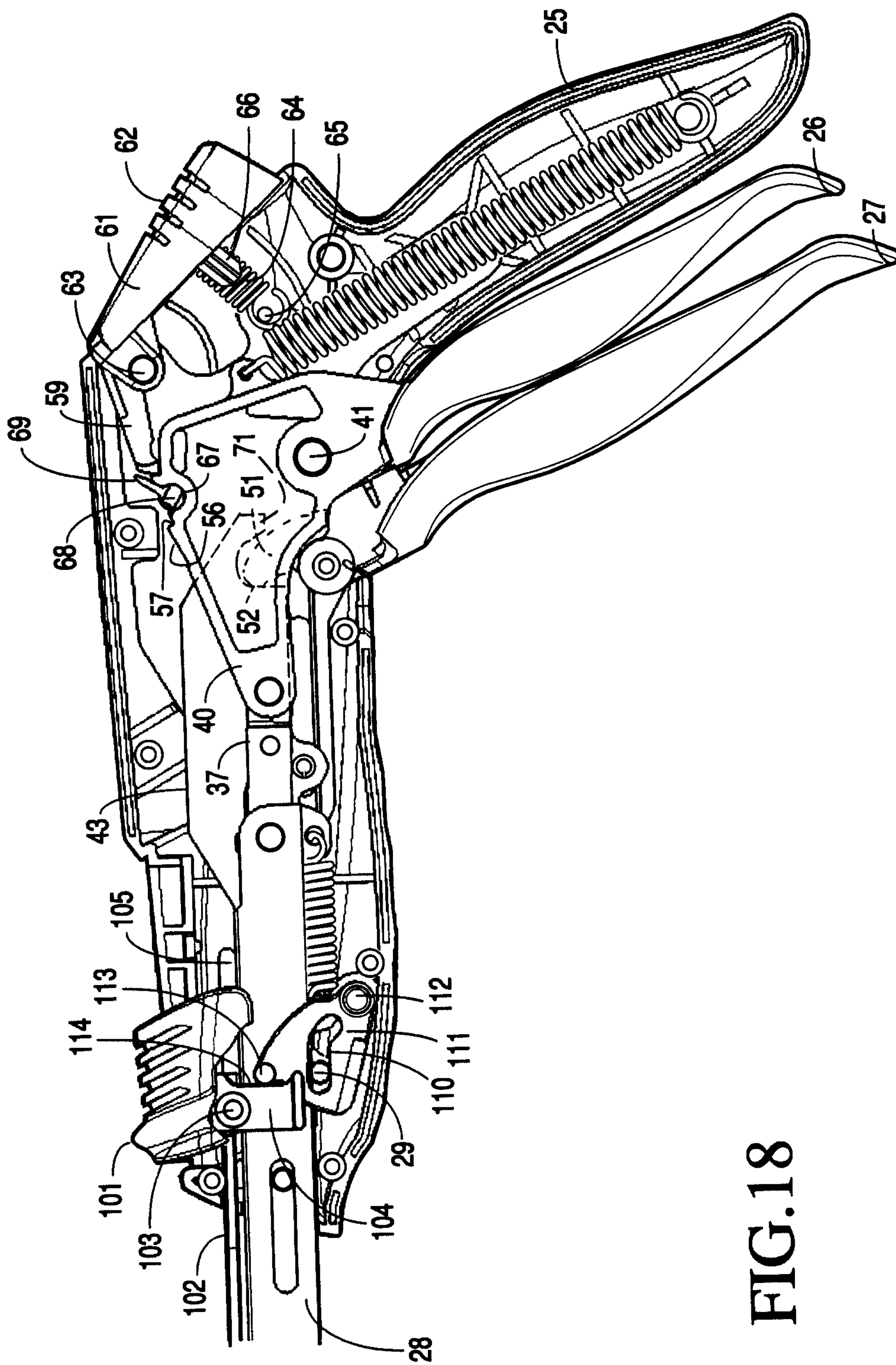


FIG.18

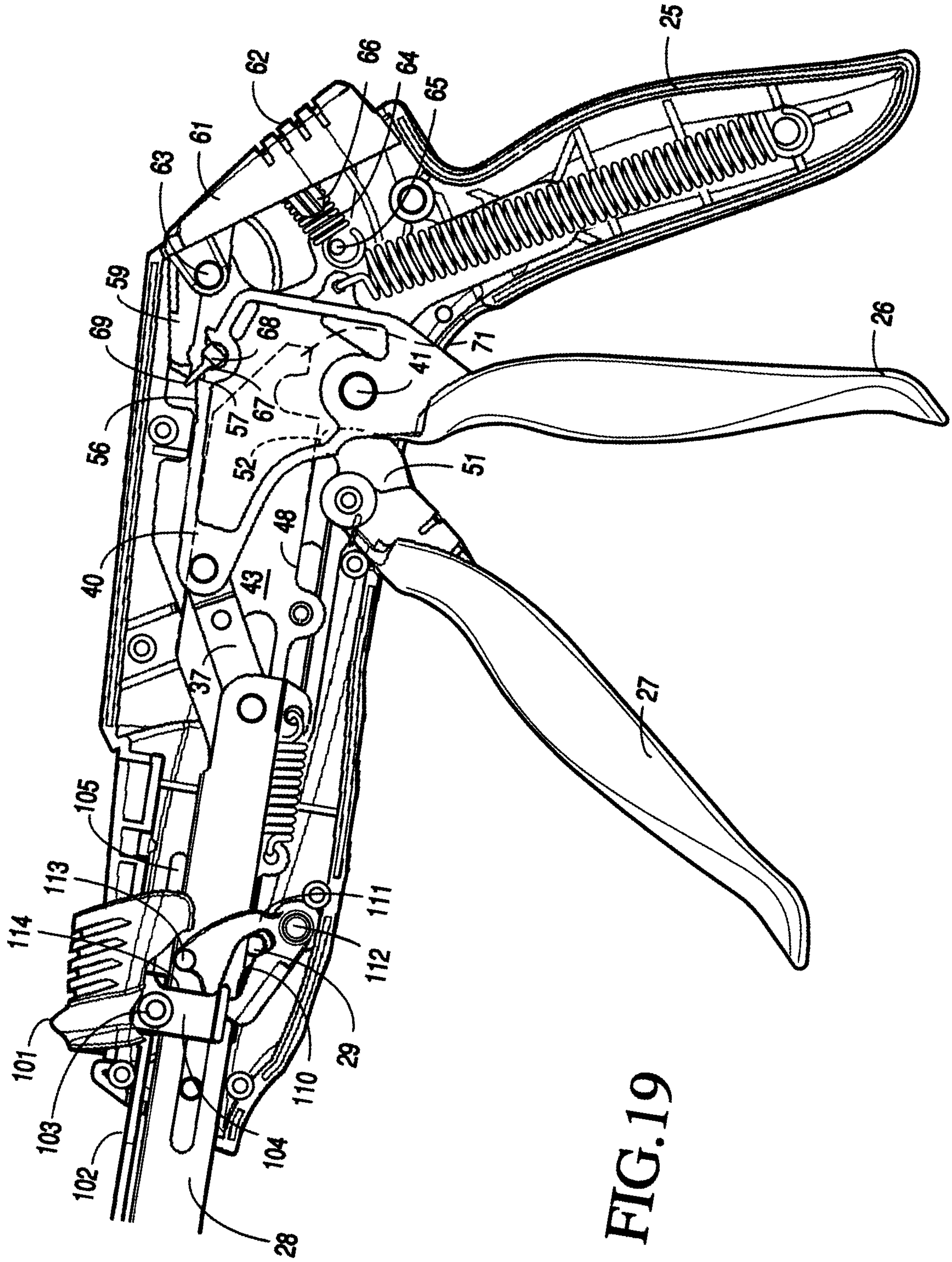


FIG. 19

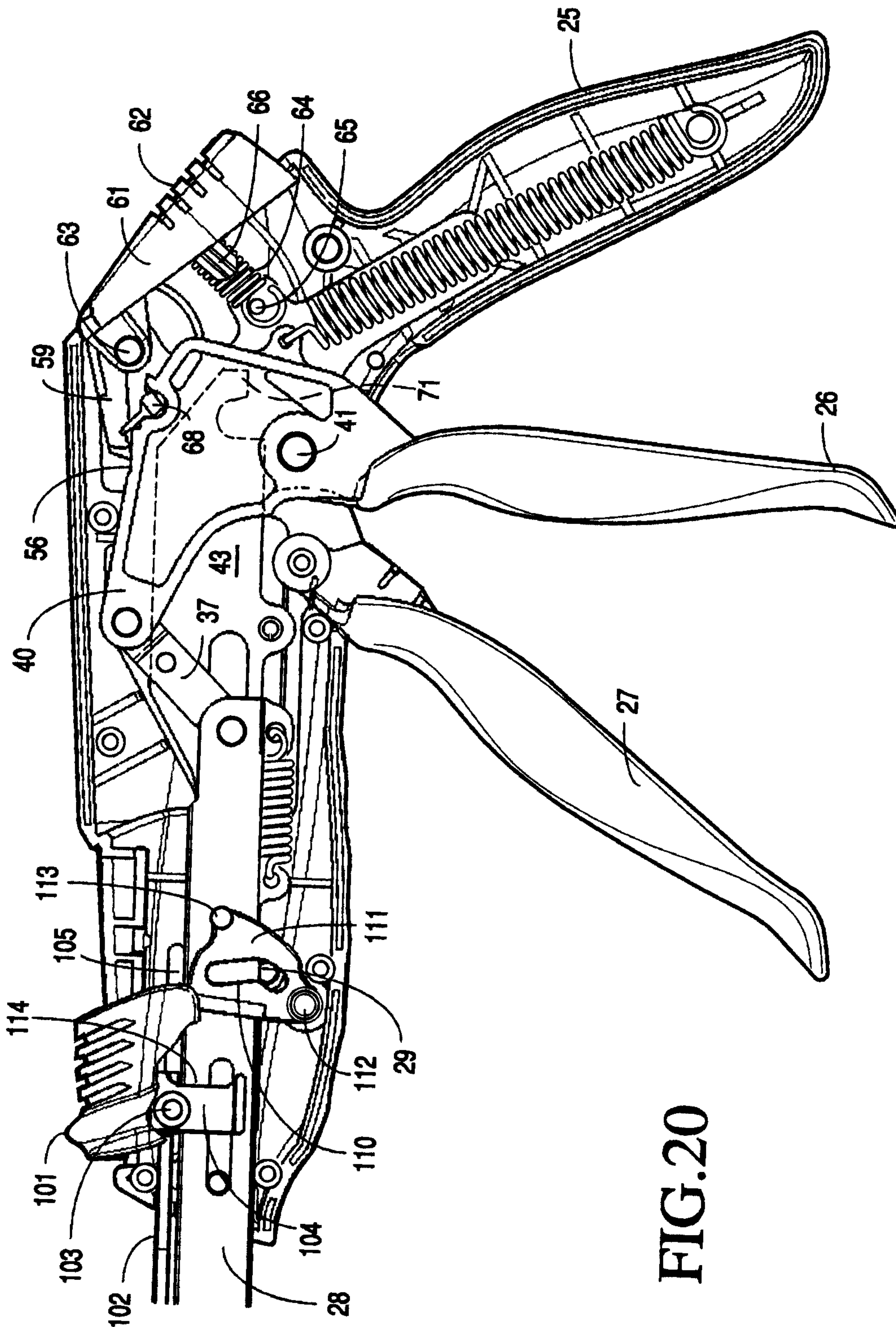
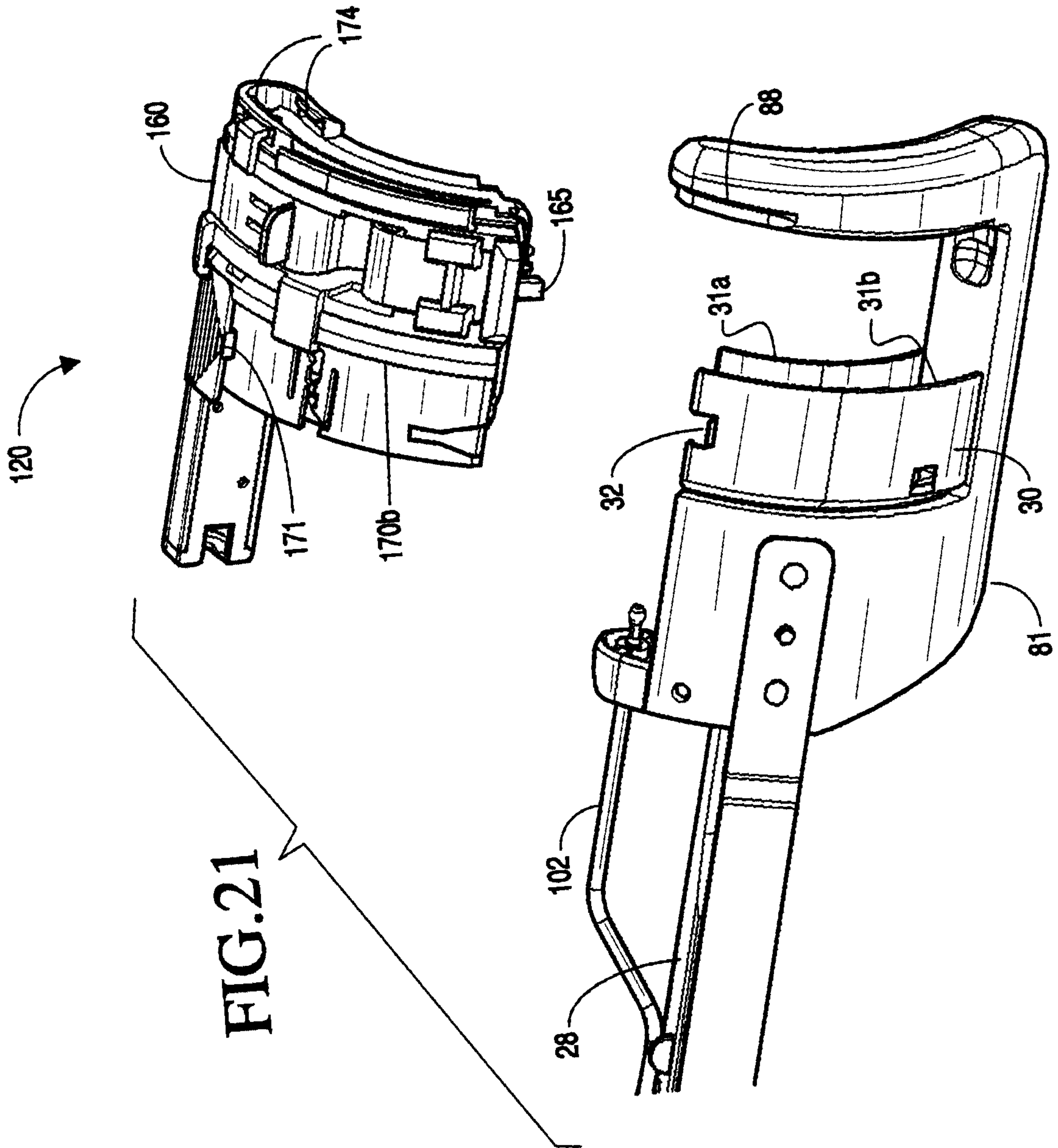
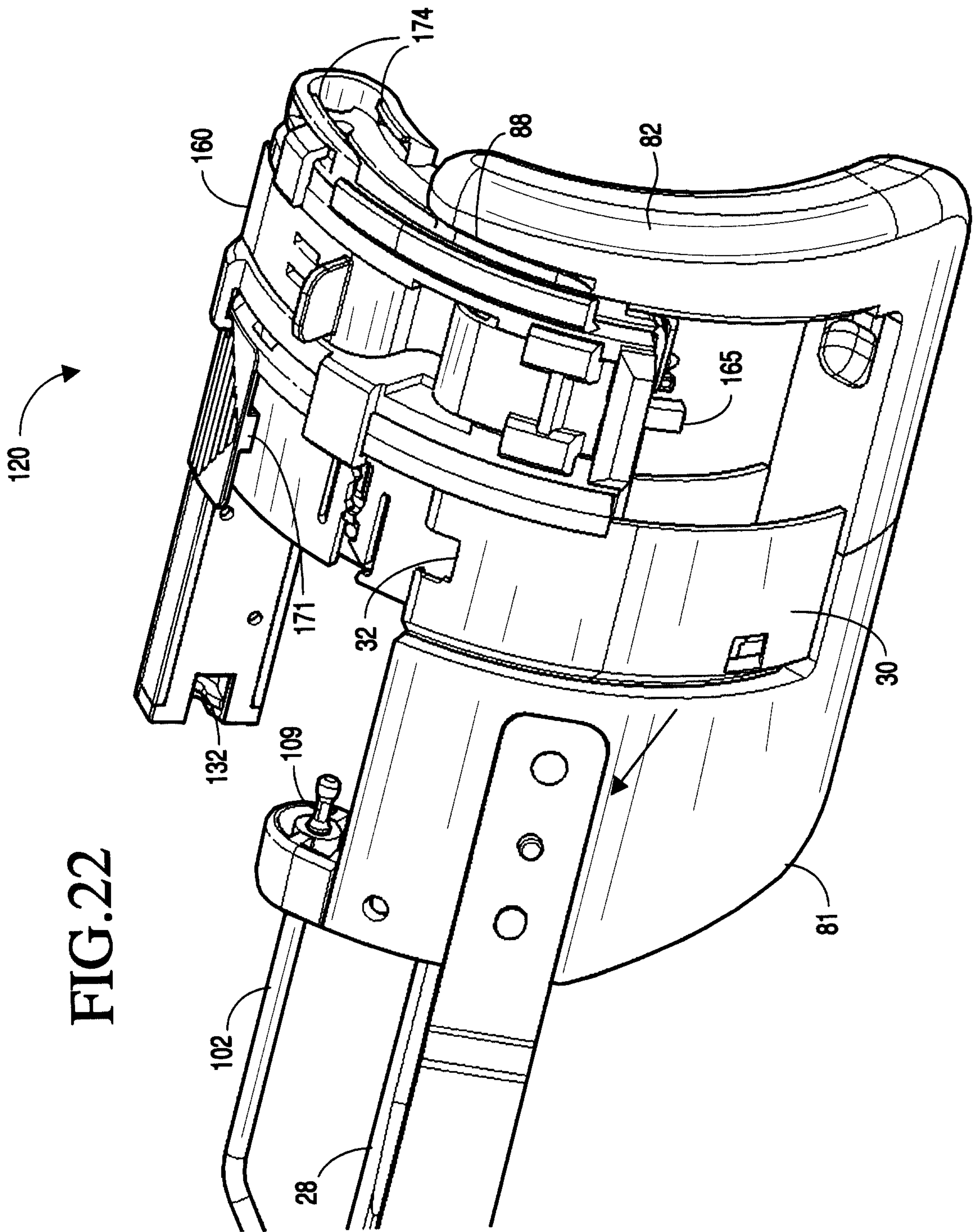
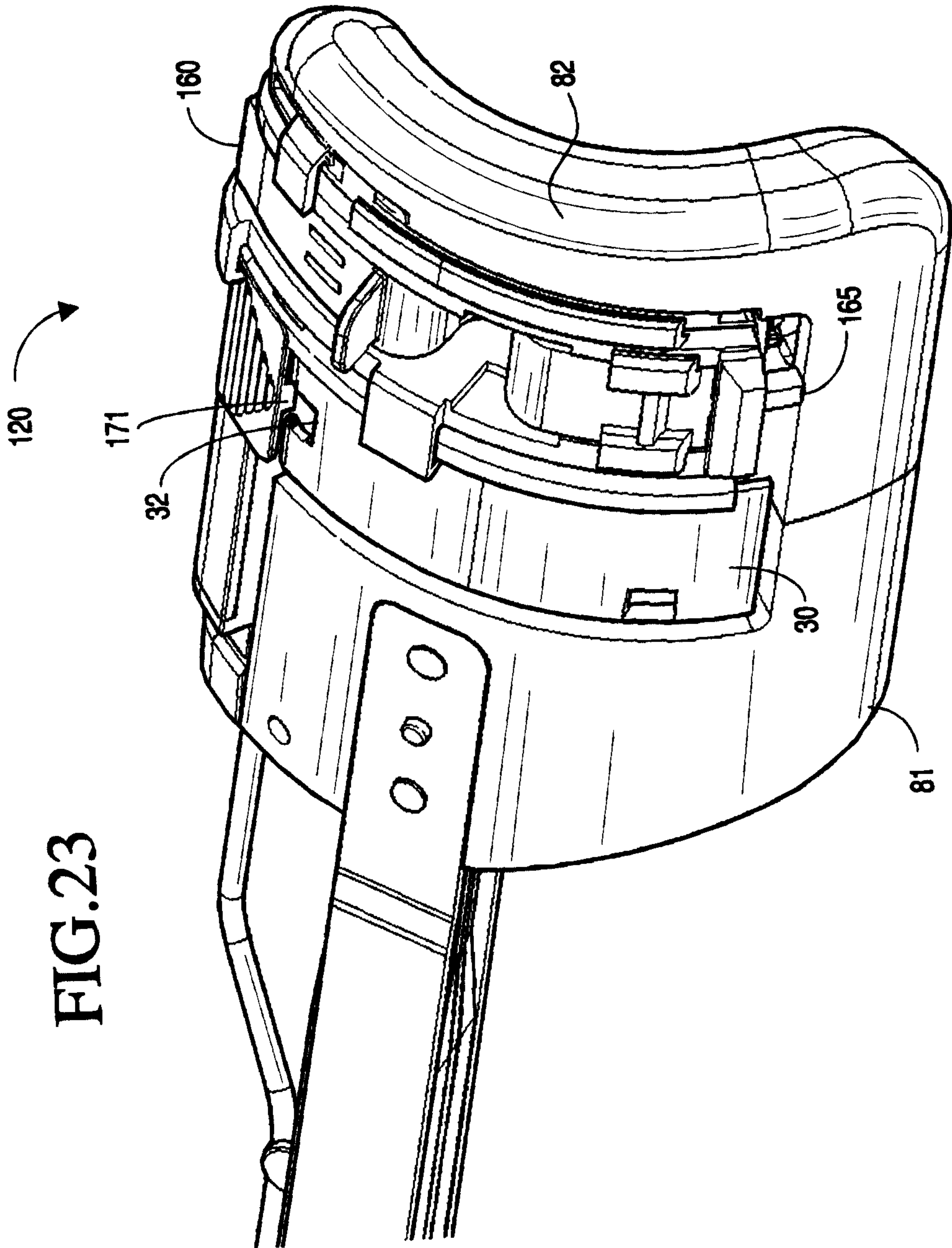


FIG.20







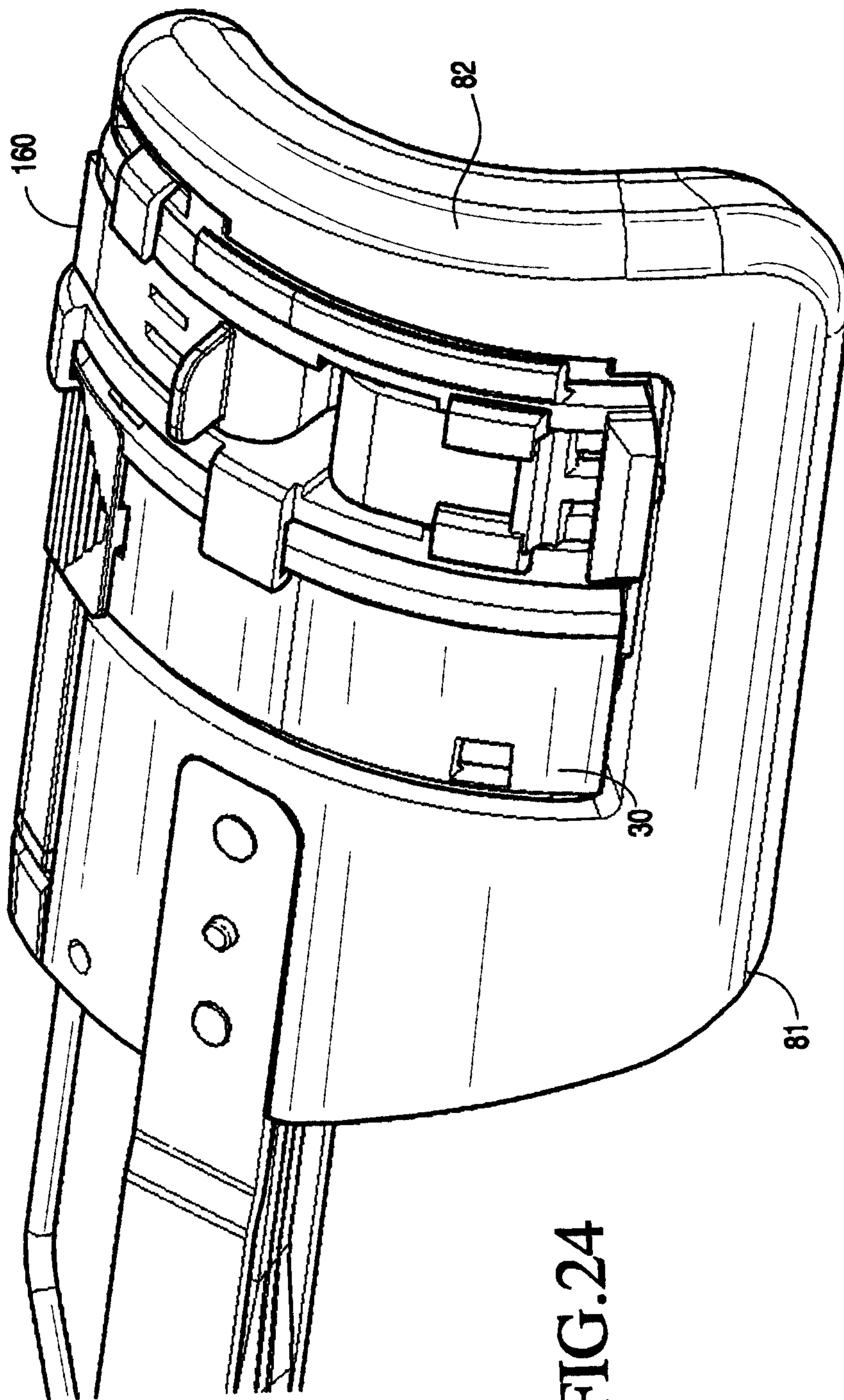


FIG.24



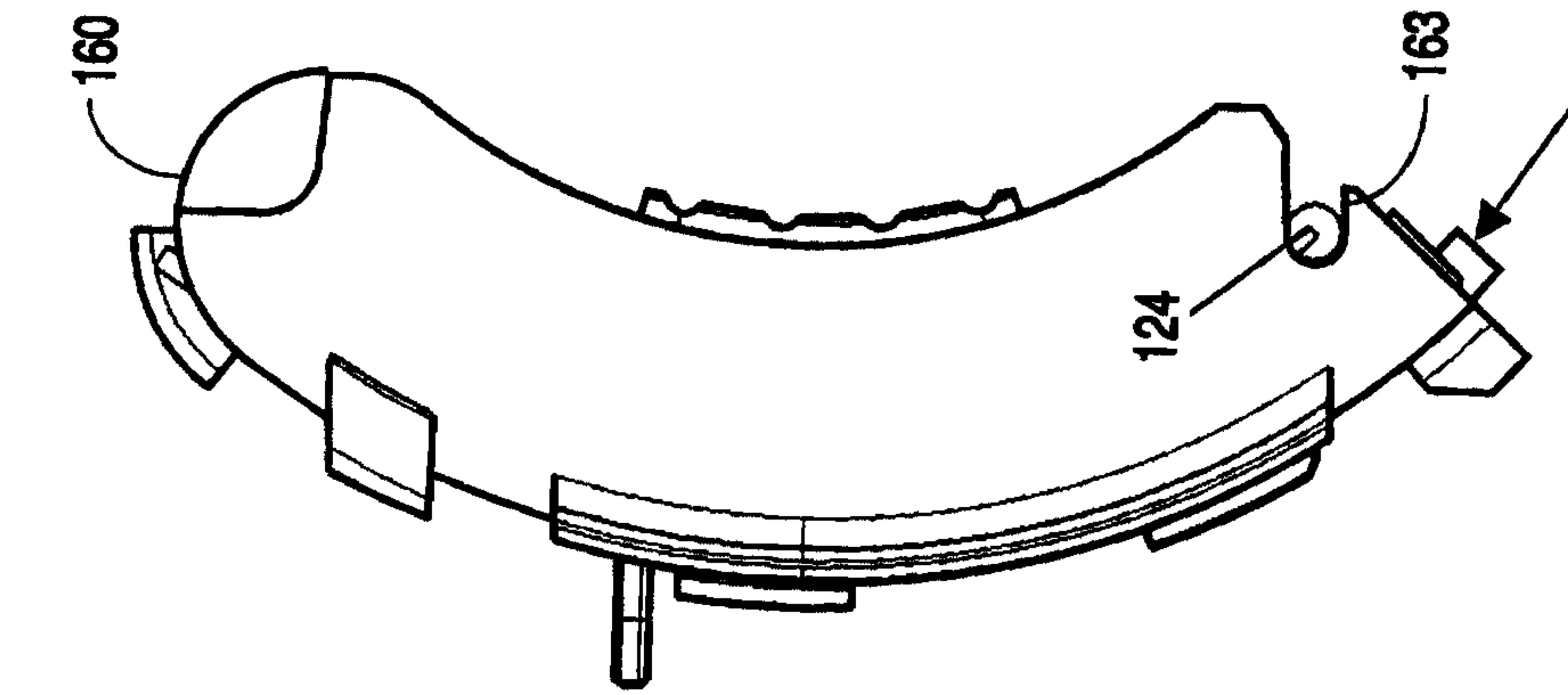


FIG. 25

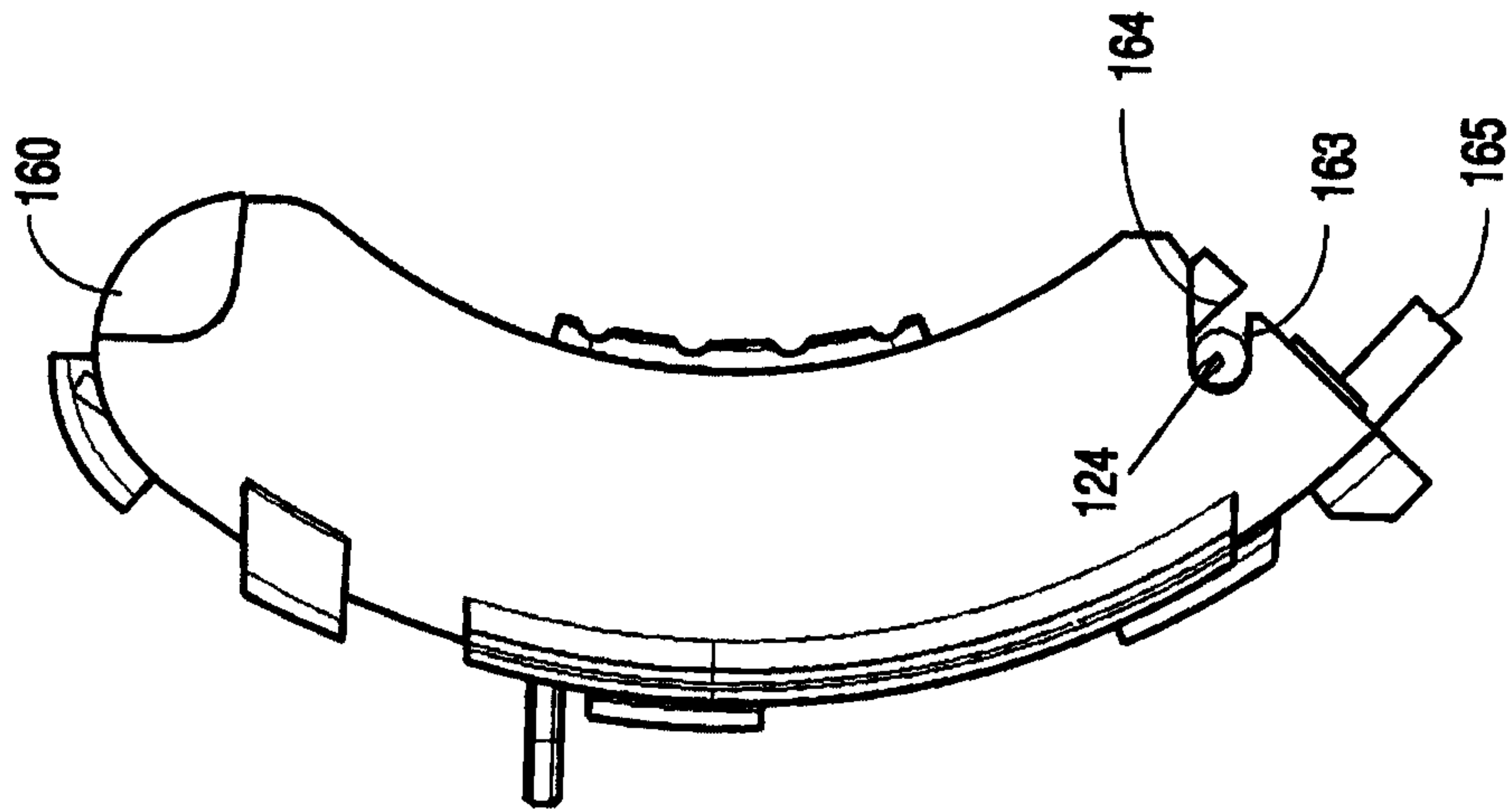


FIG. 26

FIG.27

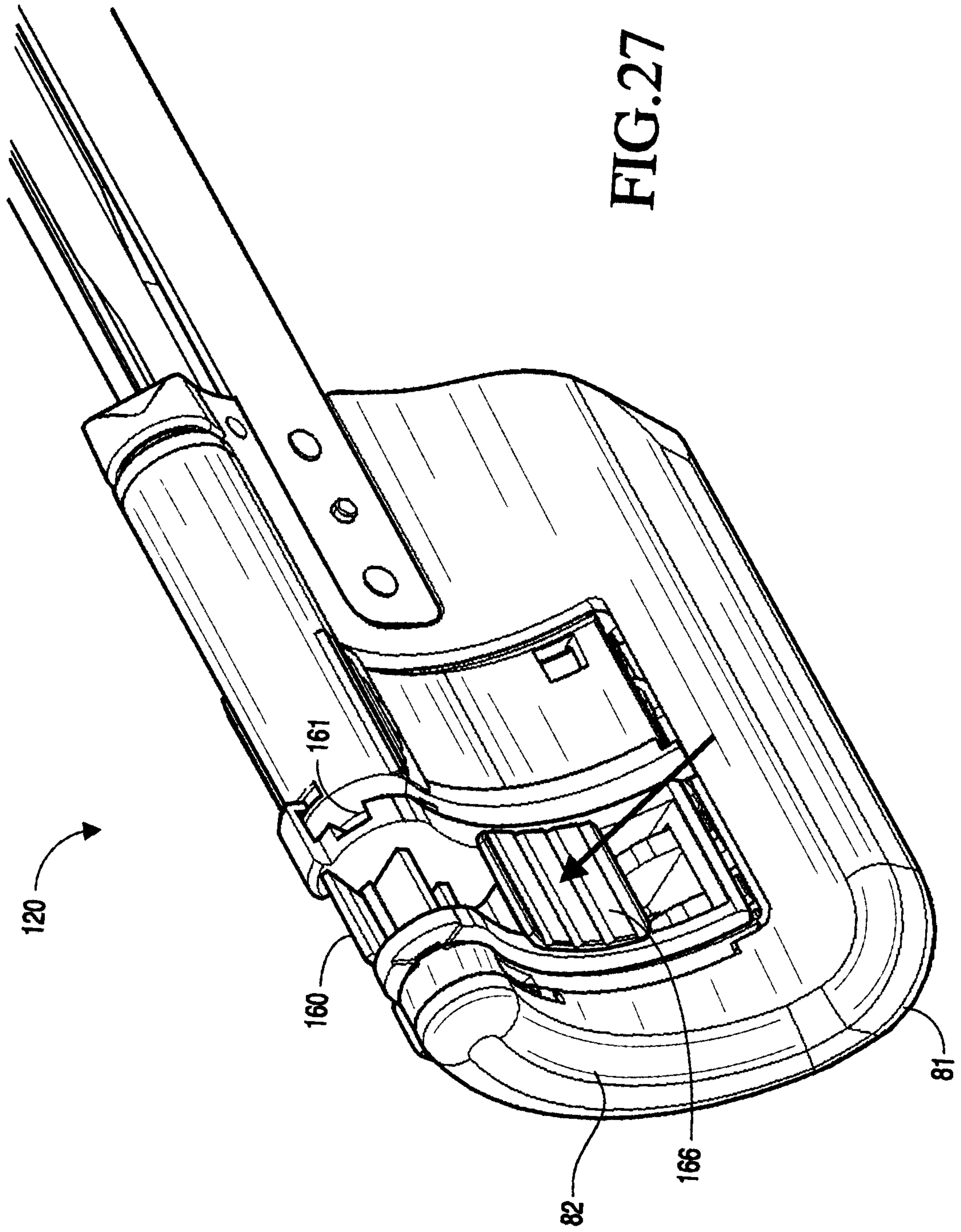
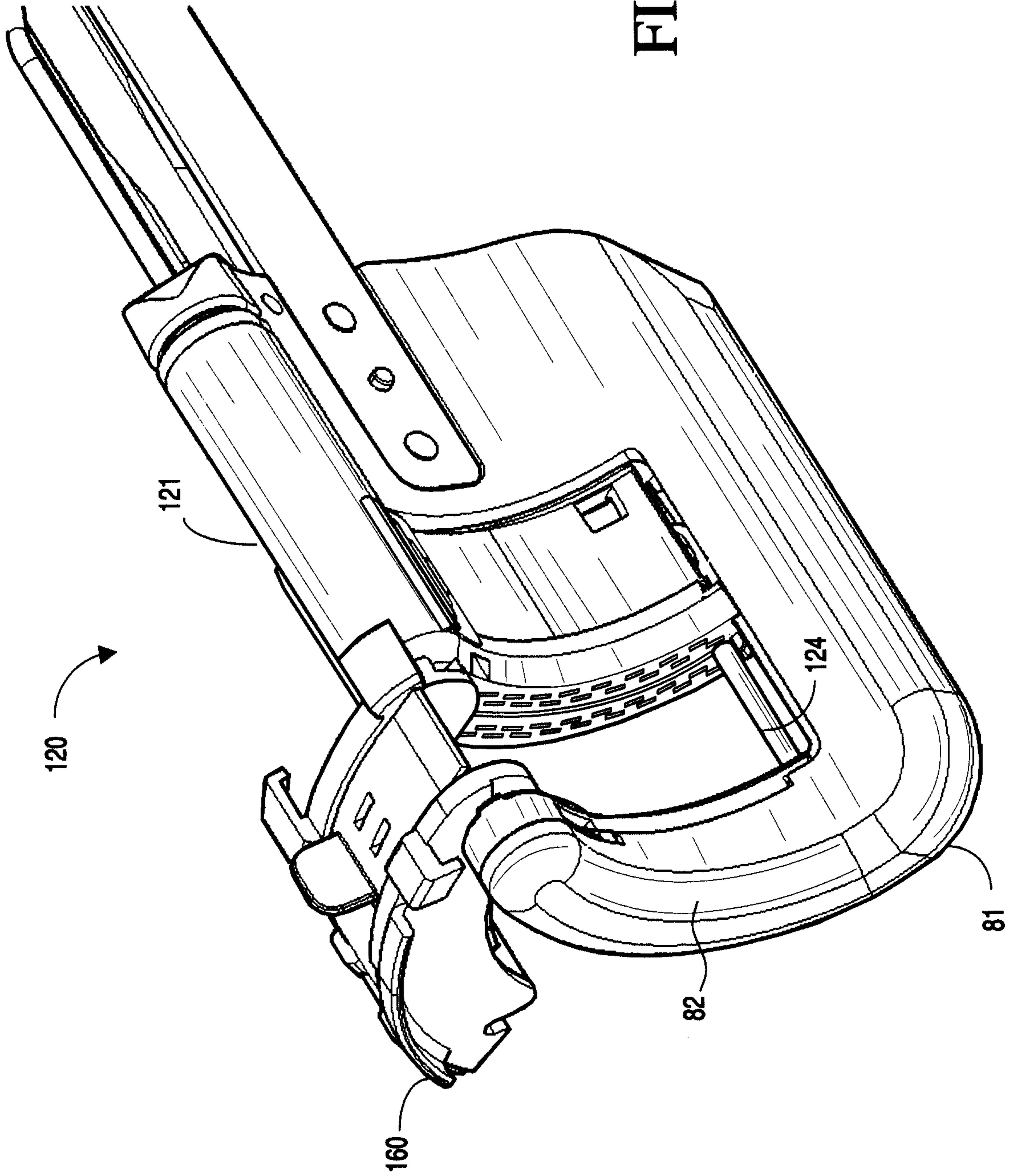
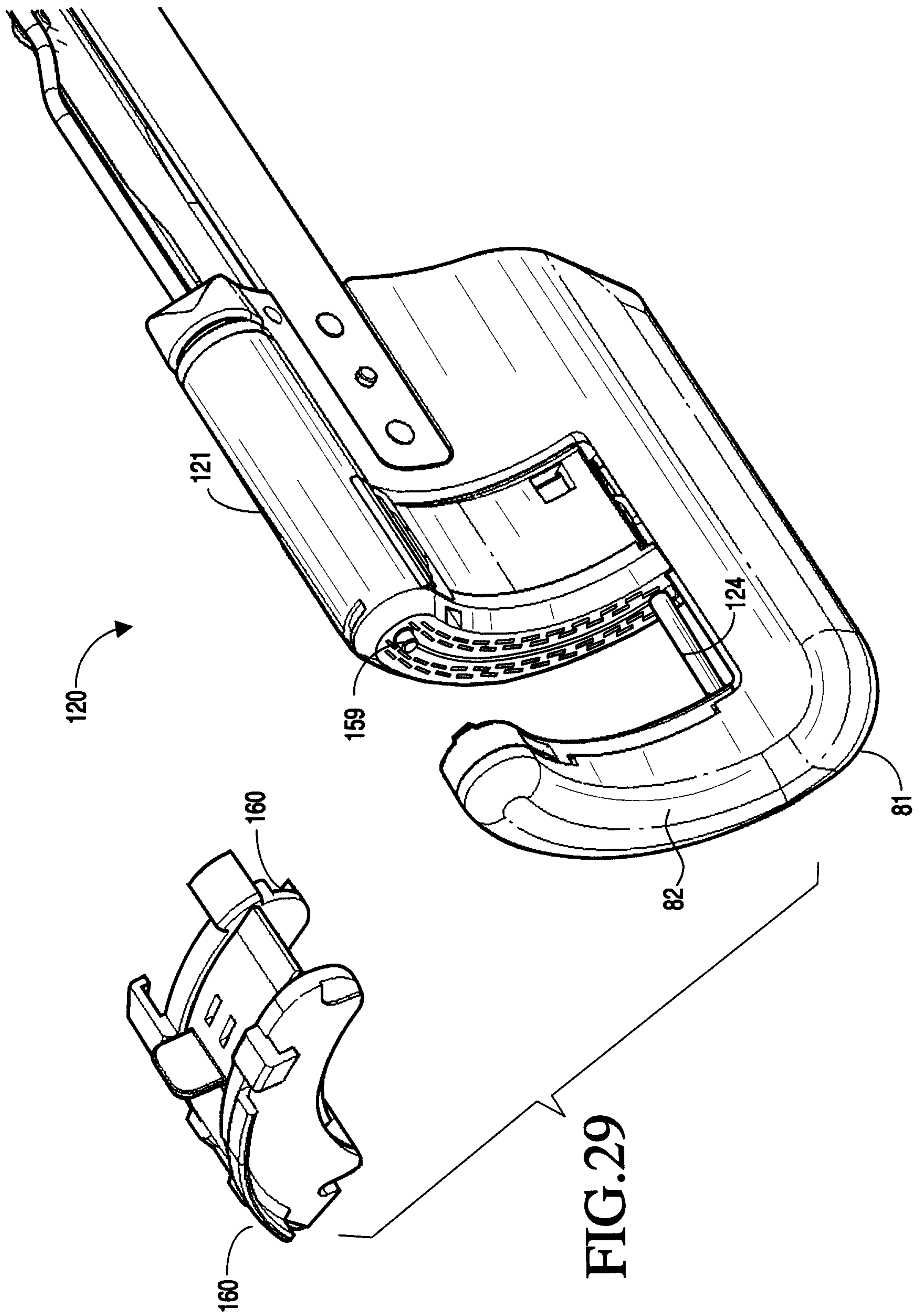


FIG. 28





27/36

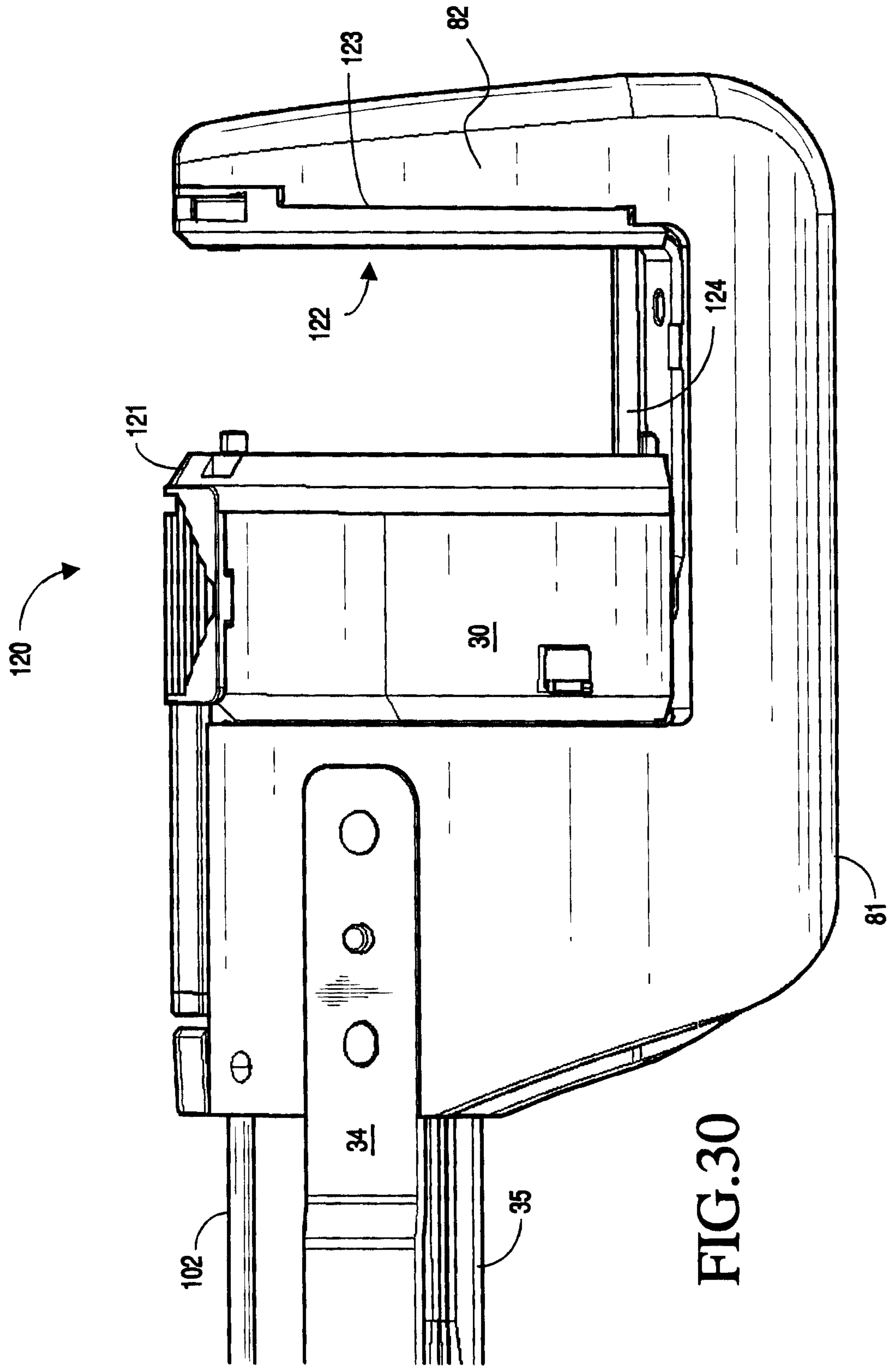
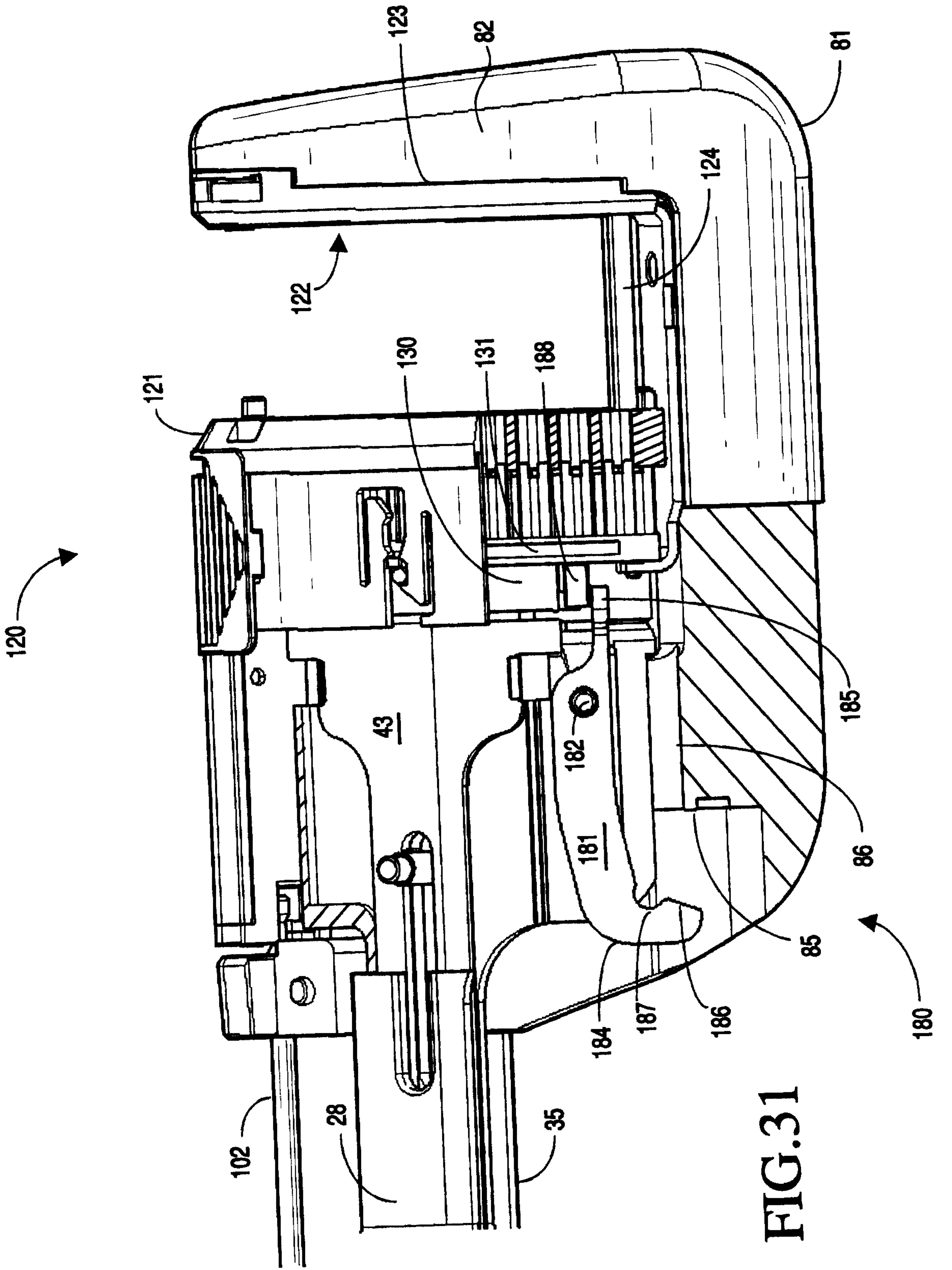


FIG. 30



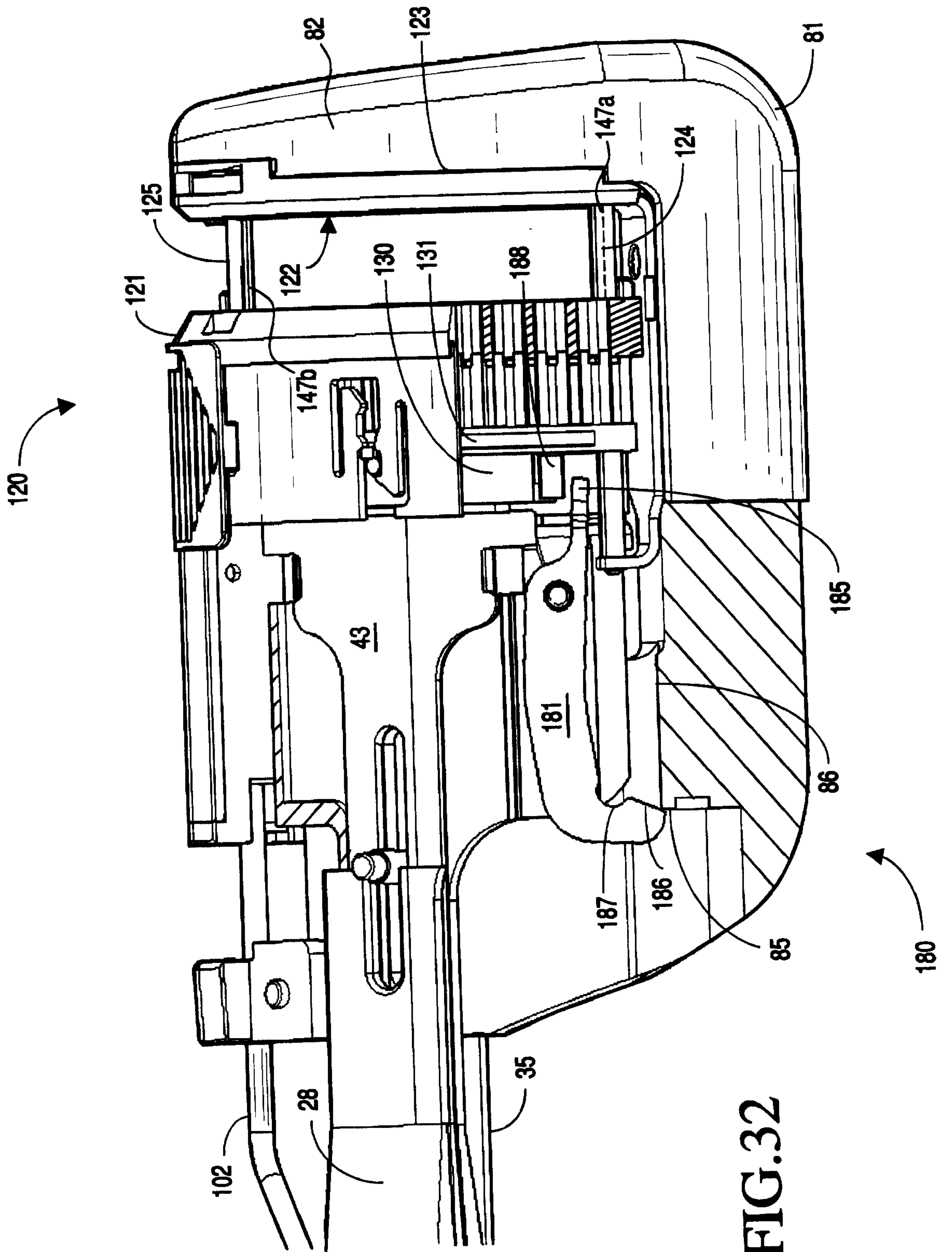


FIG. 32

30/36

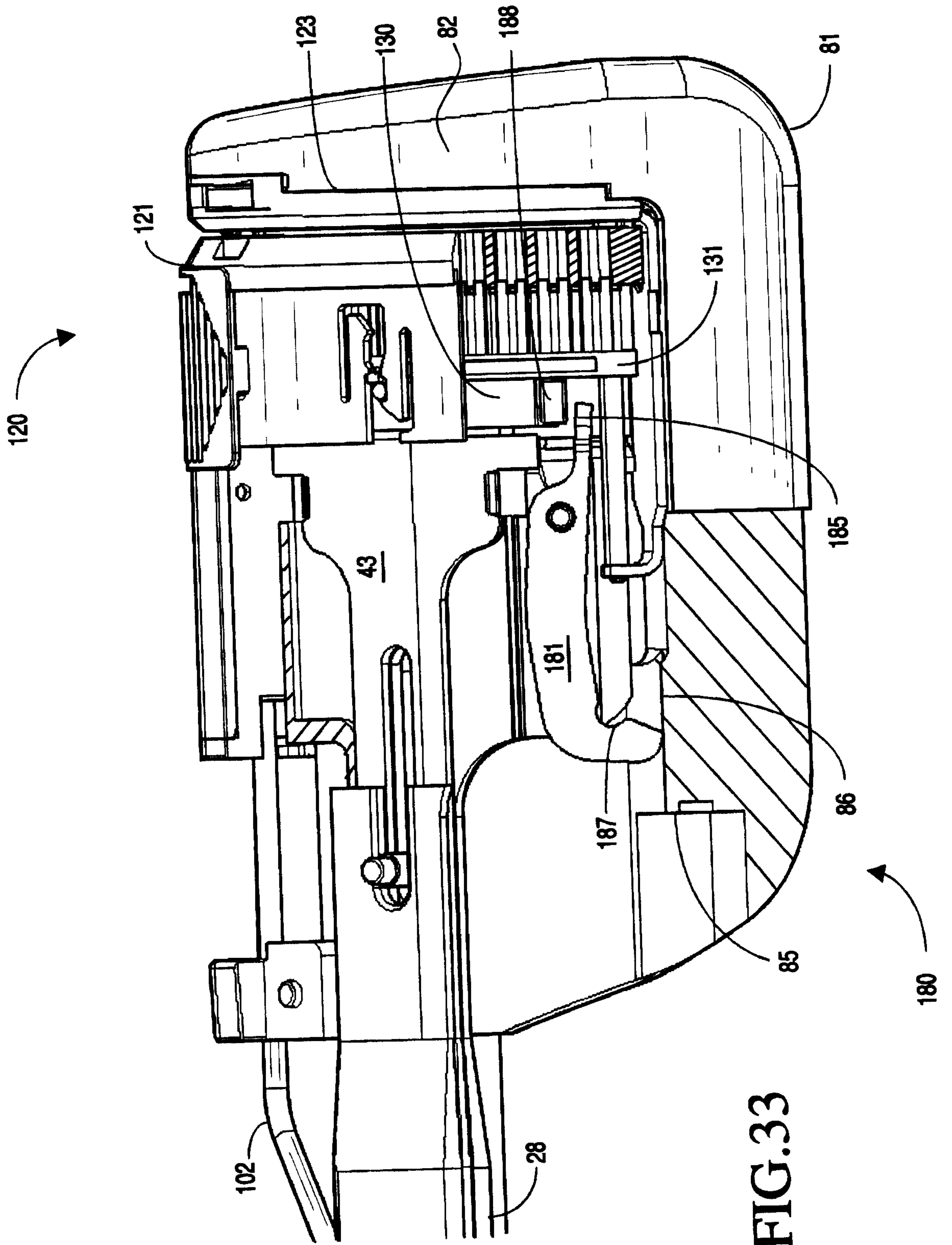


FIG. 33



31/36

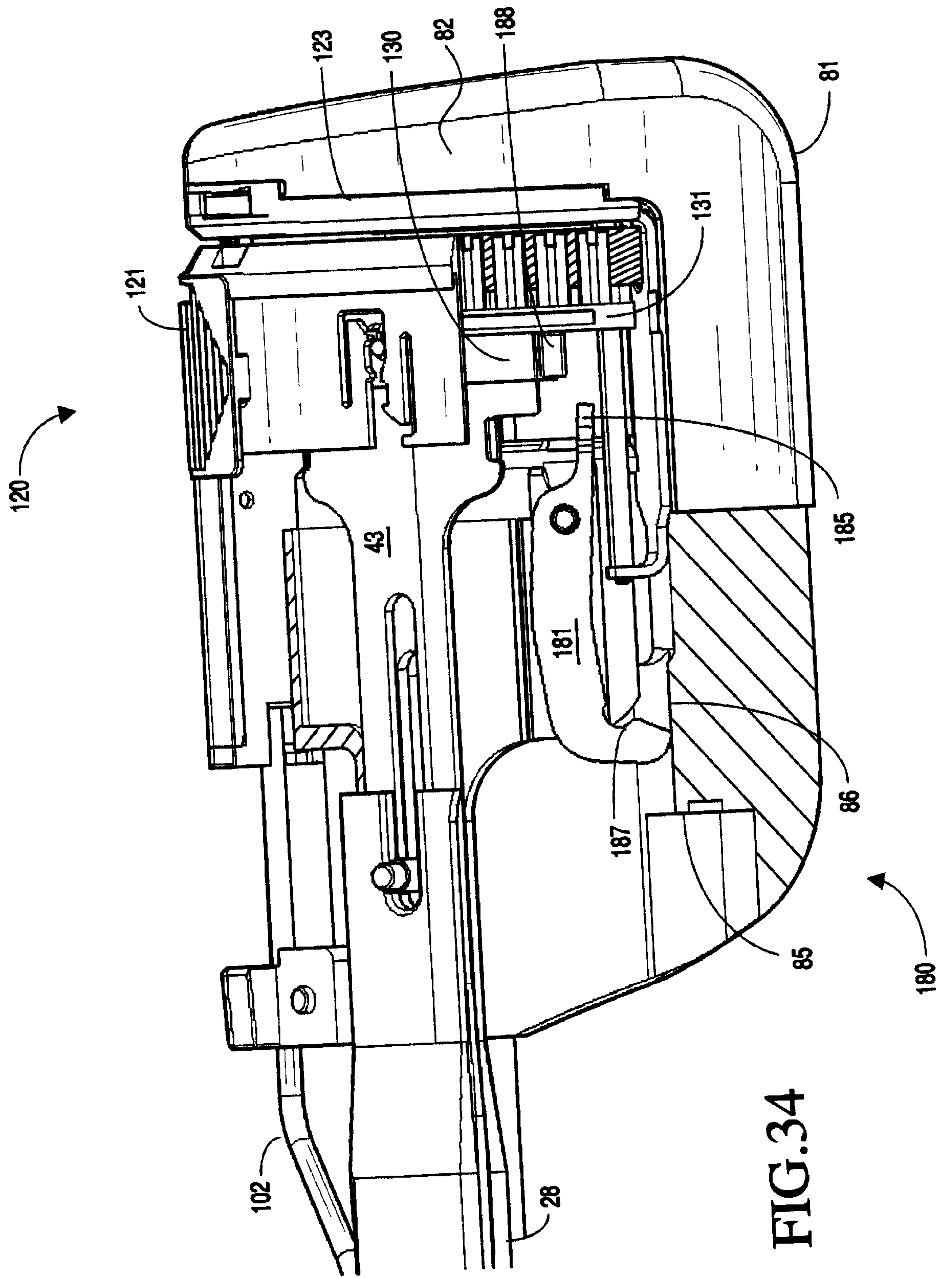


FIG. 34

32/36

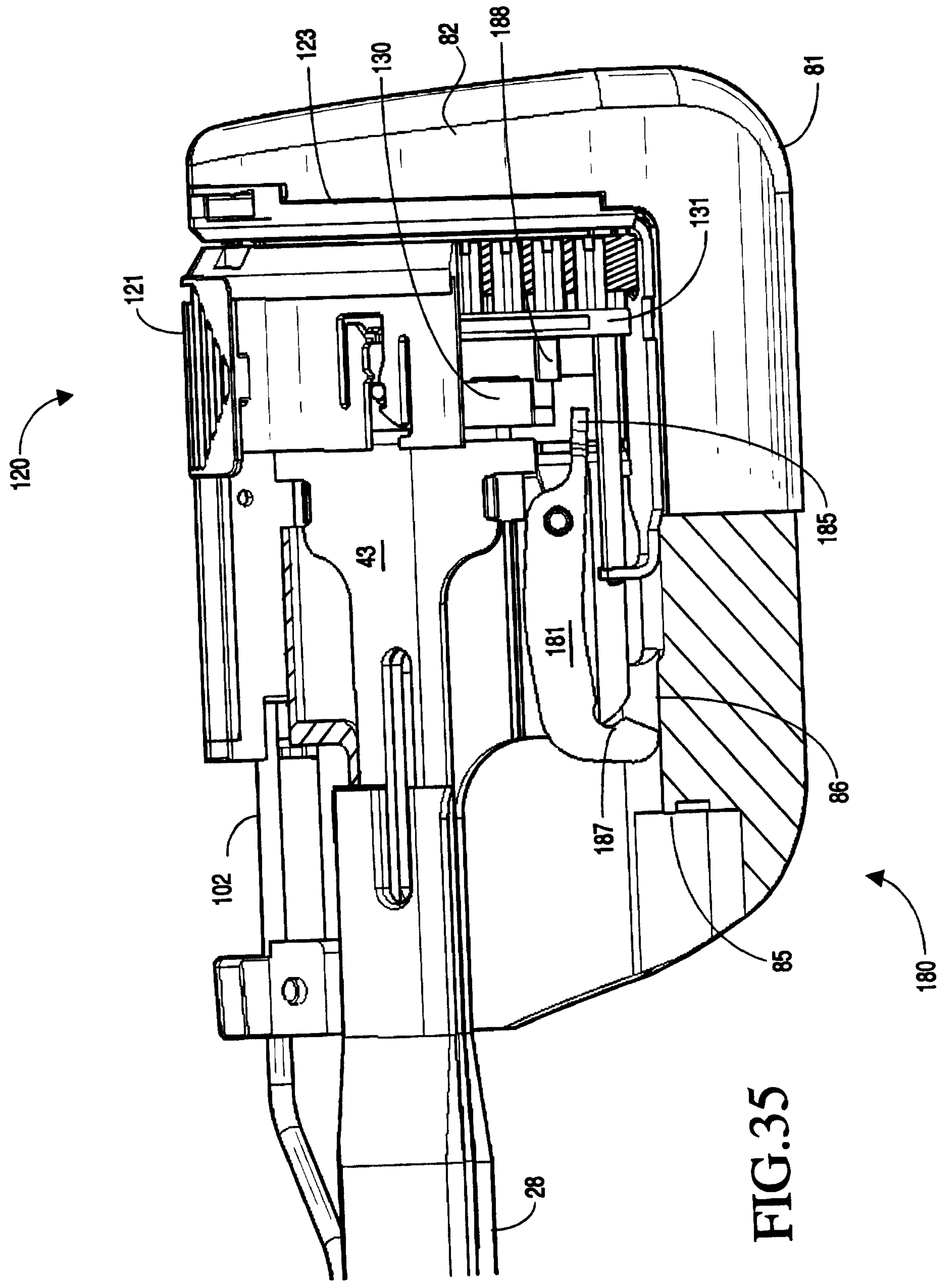


FIG. 35

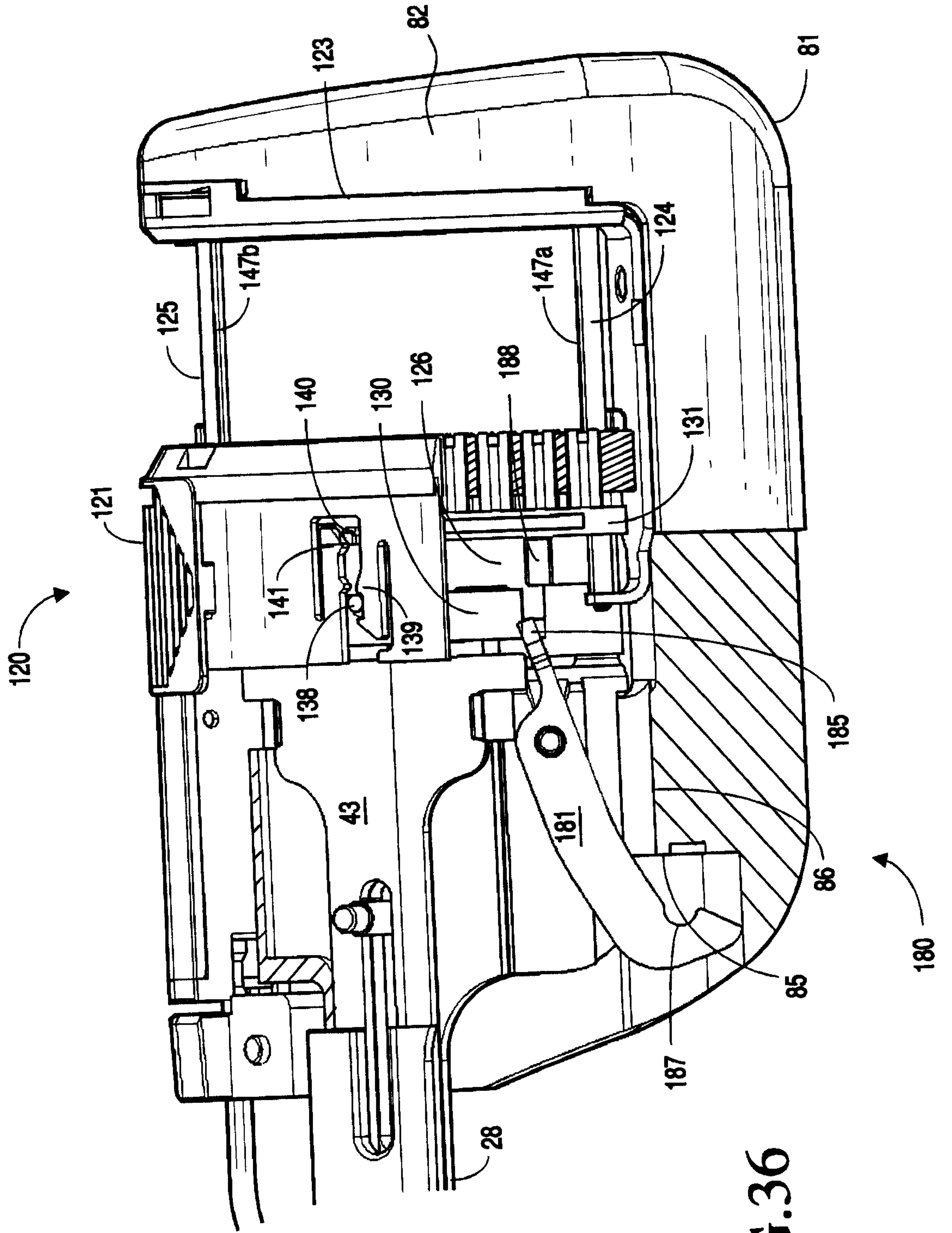


FIG. 36

34/36

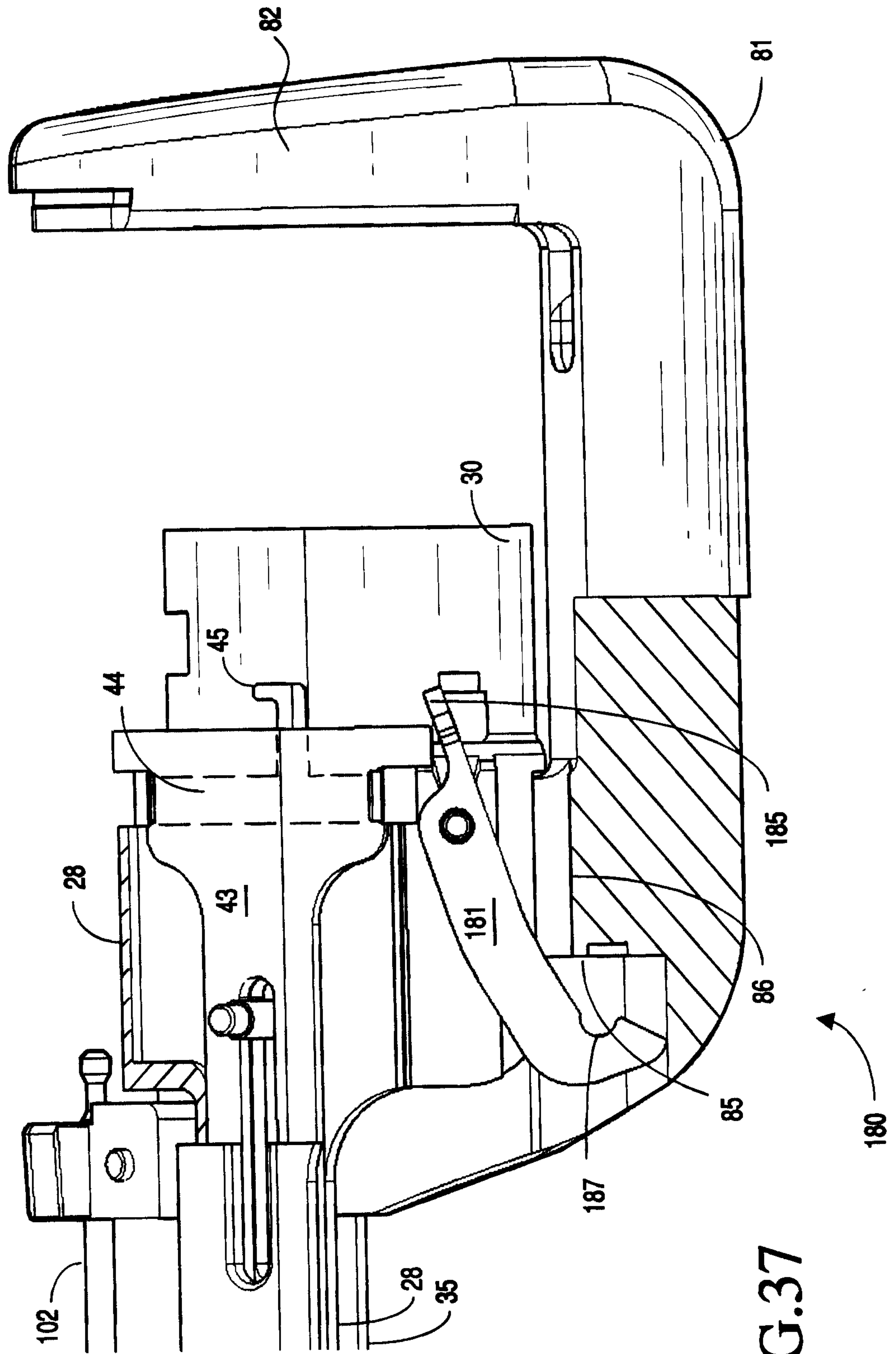
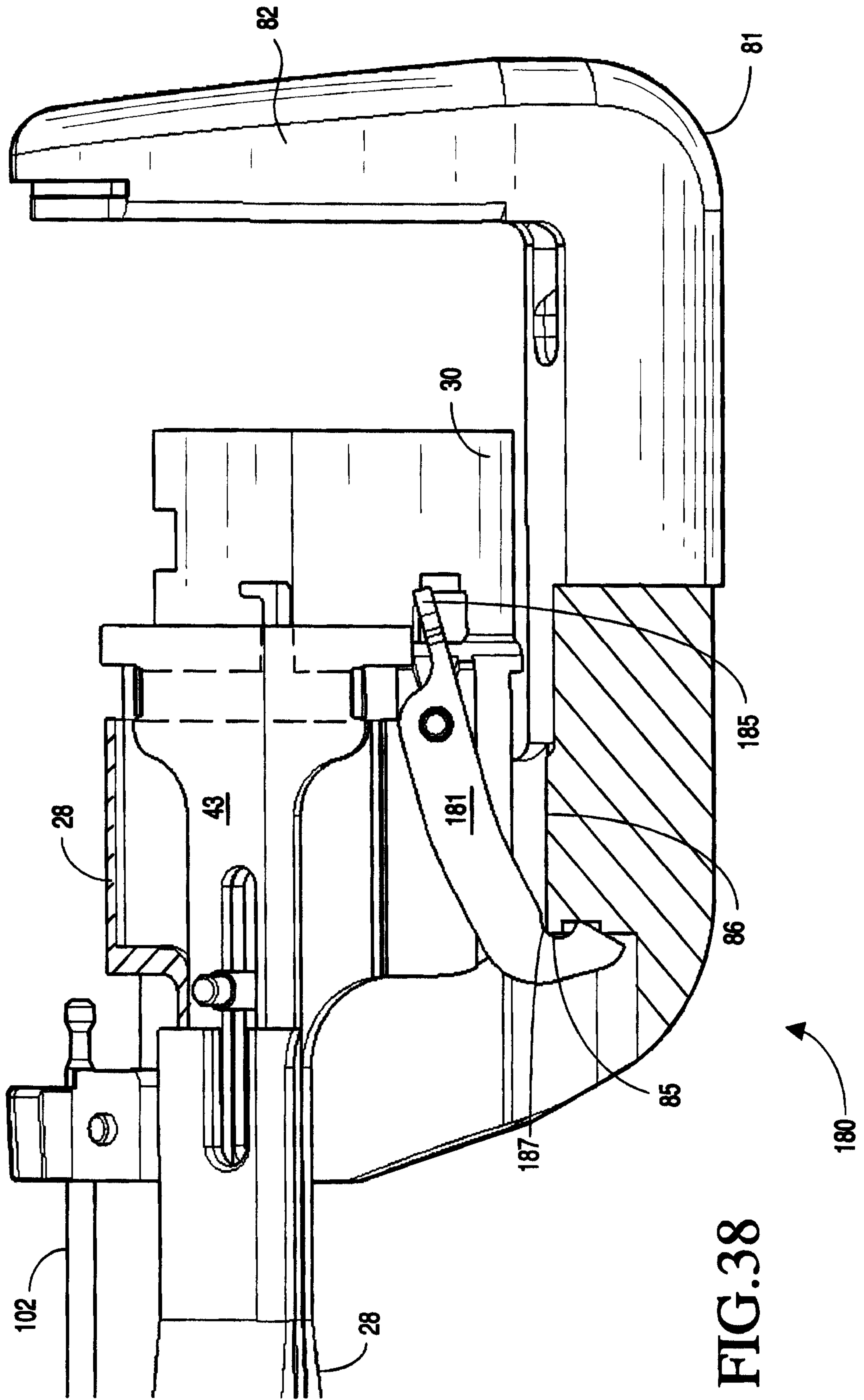


FIG. 37

35/36



36/36

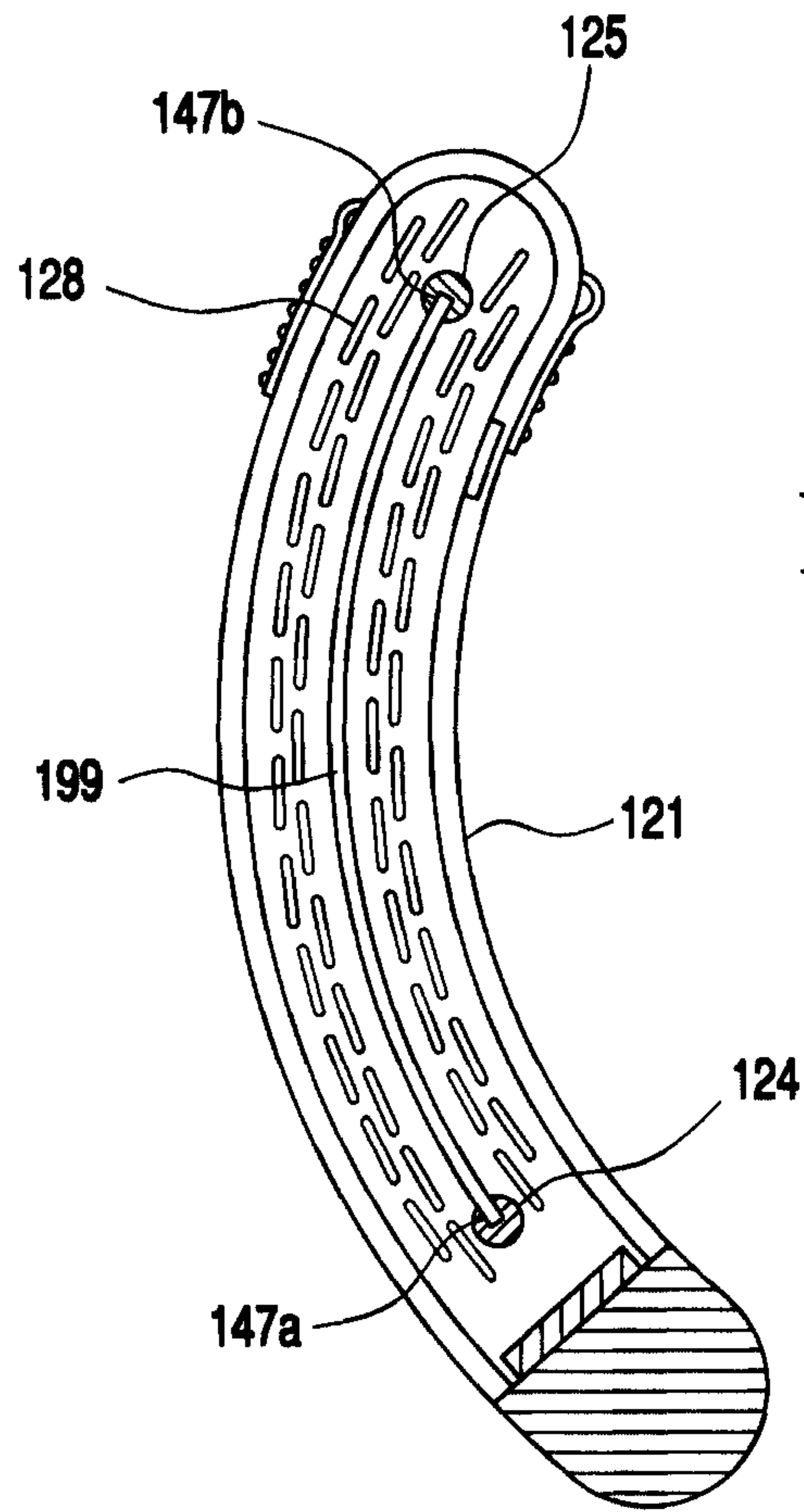


FIG. 39

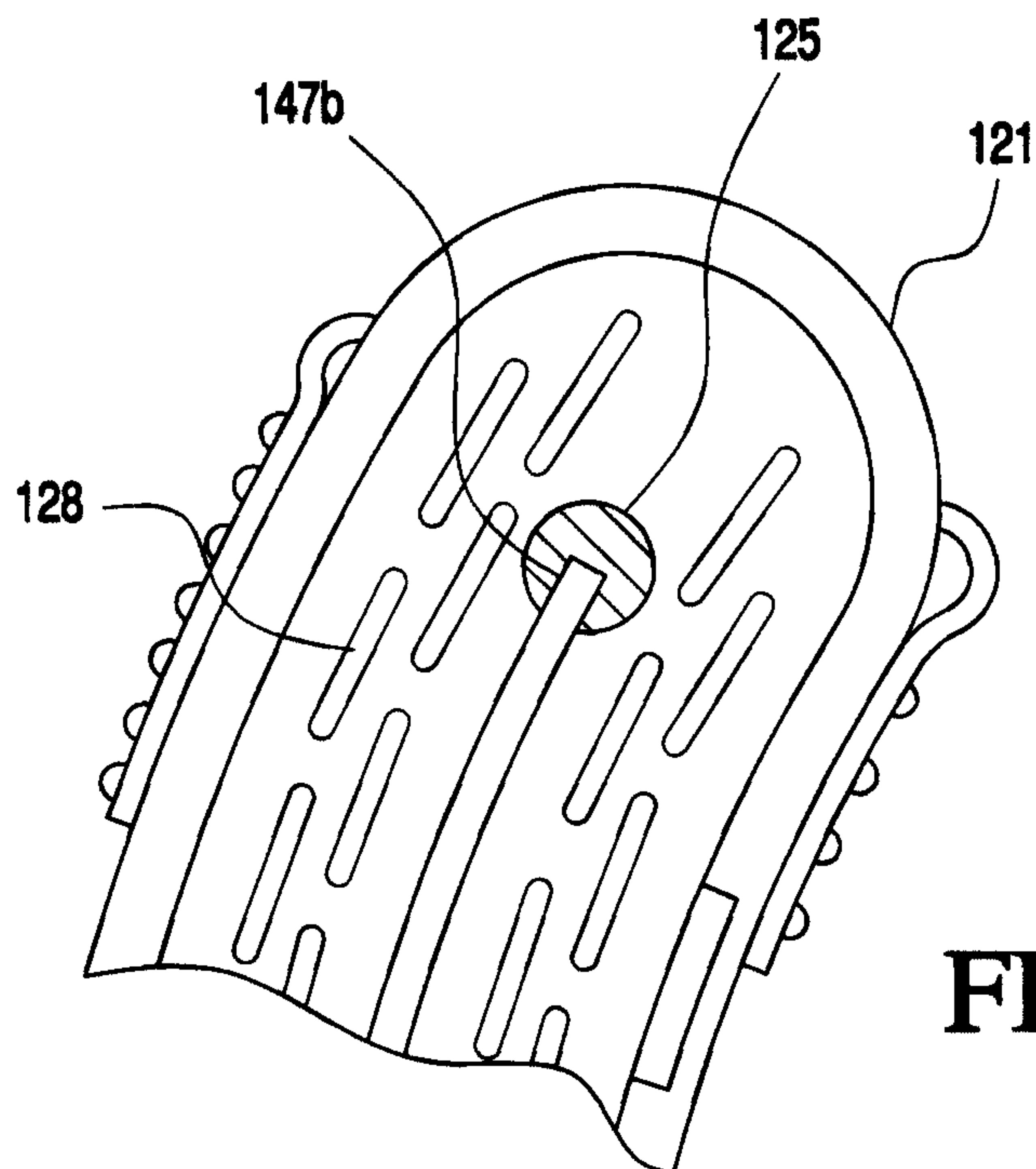


FIG. 40

