

(12) UK Patent Application (19) GB (11) 2 317 628 (13) A

(43) Date of A Publication 01.04.1998

(21) Application No 9620299.9

(22) Date of Filing 28.09.1996

(71) Applicant(s)  
**Nicholas Booth**  
13 Reg Houchen Road, Dersingham, KINGS LYNN,  
Norfolk, PE31 6UH, United Kingdom

(72) Inventor(s)  
**Nicholas Booth**

(74) Agent and/or Address for Service  
**Nicholas Booth**  
13 Reg Houchen Road, Dersingham, KINGS LYNN,  
Norfolk, PE31 6UH, United Kingdom

(51) INT CL<sup>6</sup>  
E04F 19/04

(52) UK CL (Edition P)  
E1D DPE D142 D404

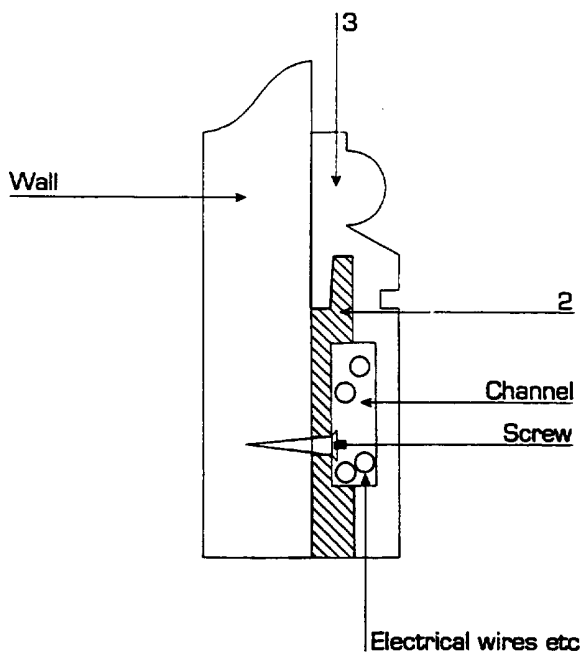
(56) Documents Cited  
GB 1409824 A GB 1246665 A GB 1155265 A  
US 4337604 A

(58) Field of Search  
UK CL (Edition O) E1D DPE  
INT CL<sup>6</sup> E04F

(54) Skirting board system

(57) A skirting board system comprises a back plate 2 adapted to be attached to the lowest portion of an internal wall, and having an upwardly extending portion providing an engagement and locking means co-operating with a corresponding downwardly facing recess in a front plate 3. A channel can be formed as shown for the location of electric wiring.

FIGURE 3



GB 2 317 628 A

FIGURE 1

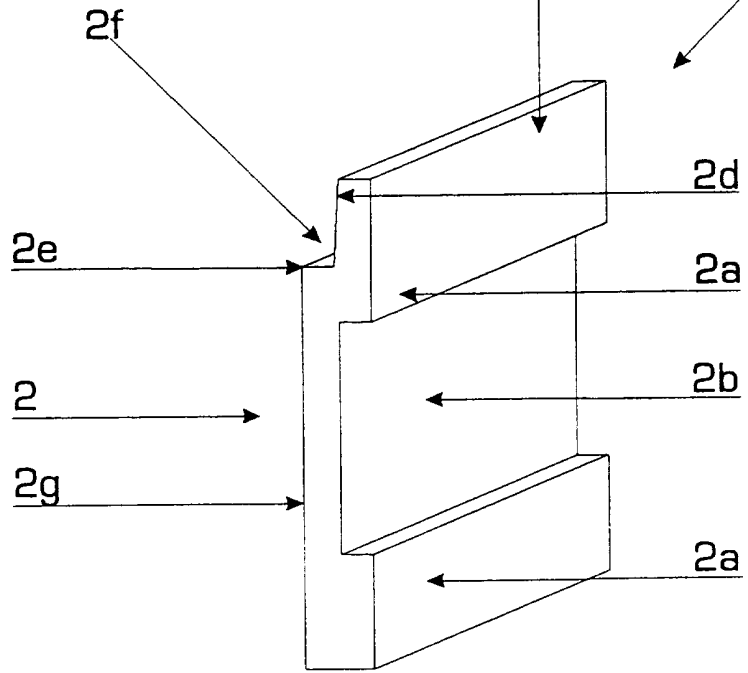


FIGURE 2

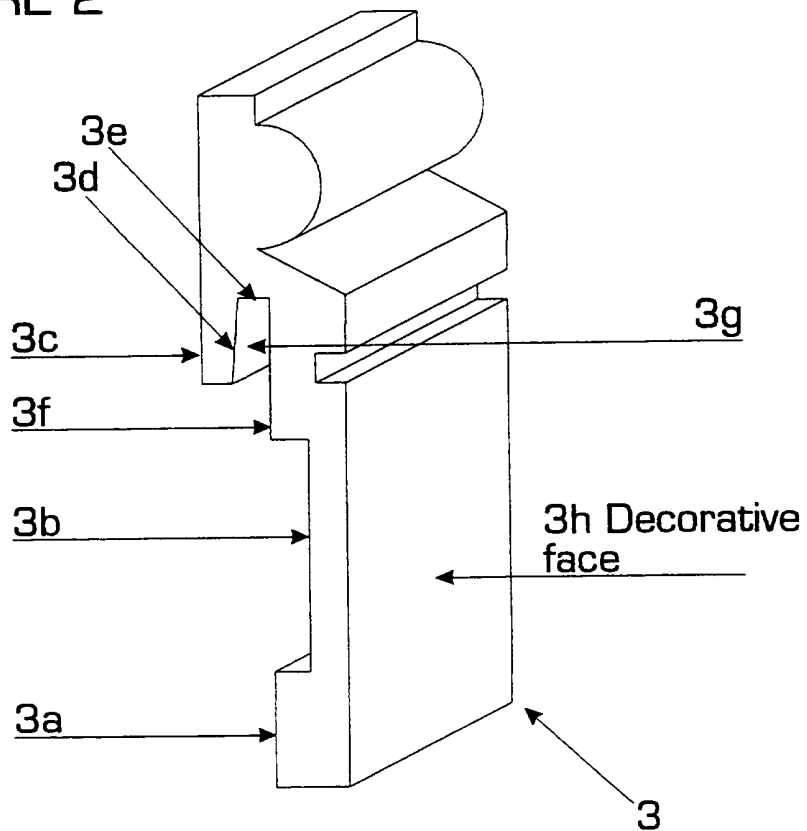
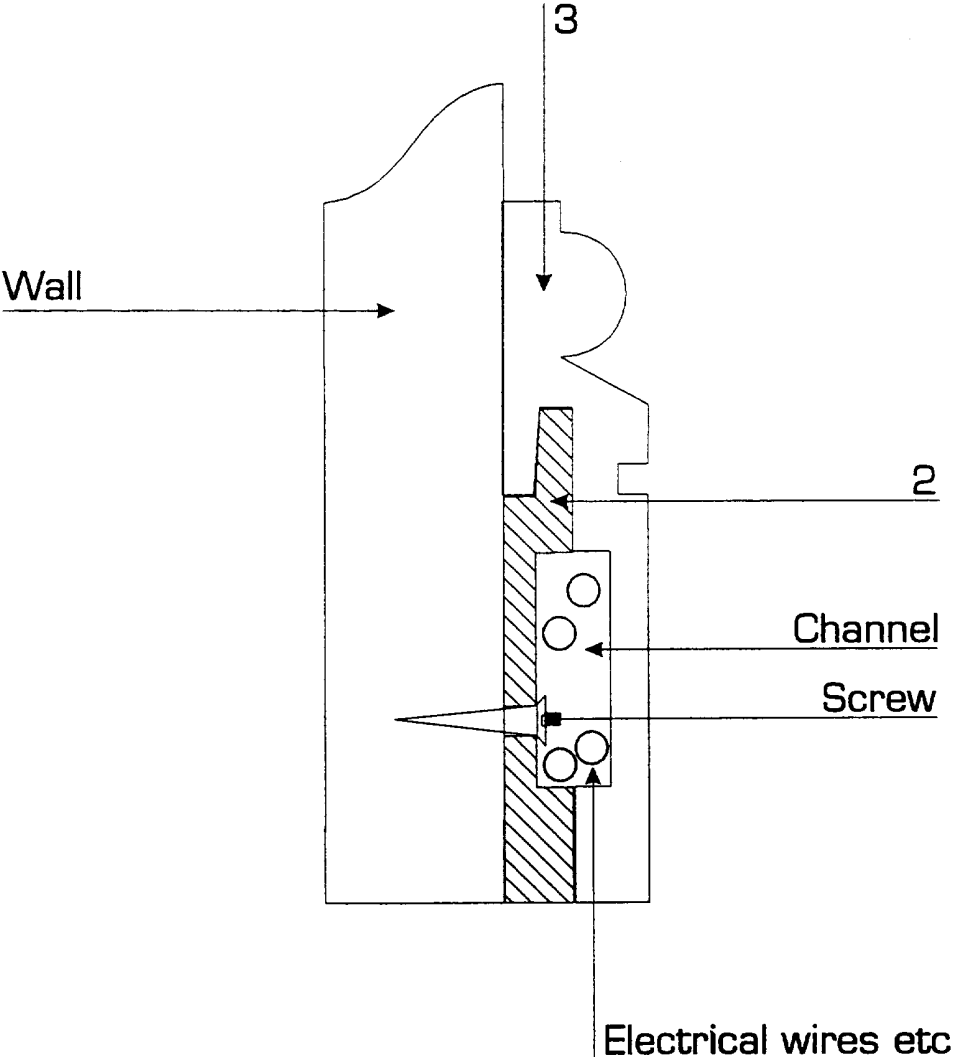


FIGURE 3



This invention relates to wood mouldings, and more particularly to skirting boards, especially a two embodiment skirting board whereas the two embodiments can be attached and detached from each other with relative ease.

The use of skirting boards (consisting of elongate strips of timber, with one face being provided with a decorative finish) have been used commonly within homes, offices, hotels and other similar dwellings etc for many years and are typically attached to the lowest portion of a internal wall - joining the floor, through the use of screws or other joinery methods for the purpose to provide the wall and room with an attractive appearance - to prevent the wall from being damage whilst cleaning or other uses - to give a floor carpet a flush finish.

One problem with the present methods of skirting board is the initial fitting, which generally requires the skills of a professional tradesman to install onto internal wall surfaces. This consequently involves the time consuming task of accurately measuring and cutting the skirting board, so as to obtain a perfect fit. Although it can be said that this procedure is simple for the experienced tradesman, it does pose a slight problem to those without the necessary skill and judgment.

Whilst the installation problem is relatively obvious, decorating, eg wallpapering or painting the skirting board - does not improve the situation as total precision is required in order to obtain a perfect finish and so as not to cover un-desired surfaced.

Also whilst looking into this problem, it was decided that present form of skirting boards do not accommodate the facility to hide wires from various electrical goods, including the television and or Hi-Fi.

It is the object of the present invention to provide a skirting board system, especially intended for use for connection with an internal wall, which will overcome or at least substantially reduce the problems and disadvantages of the above mentioned problems.

According to the present invention, there is provided a skirting board system, comprising of a first member back plate adapted to be attached and connected transversely across the lowest portion of an internal wall, one side thereof being provided with a upwardly extending portion providing an engagement and locking means for locating with respect to a second member.

A second member a front plate with one side thereof to provide a means to be located transversely across the upwardly extending portion of said first member and to provide a means for electrical wiring etc to be housed within confines of both adjoining members - one side thereof to provide a decorative facing in which to provide the skirting board with an attractive features.

In order that the invention be more readily understood, embodiments thereof will now be described of the device, by way of example only, references being made to the accompanying drawings, wherein:-

Figure 1 is an isometric view of the first member attached to the lowest portion of an internal wall.

Figure 2 is in isometric view of the second member, showing a proposed frontal face design.

Figure 3 is a side view elevation of the first and second members correspondingly connected together in an operative position attached to an internal wall and housing a series of electrical wires.

Referring to the drawings and figures 1 to 3, the device, indicated generally by reference numeral 1, comprises a first member back plate 2 of formed elongated lengths arranged to be located transversely upon the lower portion of an internal wall or similar location.

Side thereof said member 2 comprises of a vertical side 2a which incorporates an inward recessed portion 2b, which provides a channel in which, together with the second member may house a series of electrical wires. Vertical side 2a extends upwardly to provide the device with an engaging portion 2c by means in which said 2 may be attached to second member. To provide side thereof 2c with tight securement means with second member, there is provided a slanted edge 2d, which enables engaging portion 2c to wedge within second member. Side 2d reverts to a horizontal portion 2e, which together with face 2d provides a recessed portion 2f similar to that of engaging portion of second member.

Second member 3 of elongate lengths is adapted to be located transversely upon engaging 2c portion of said first member 2 and is provided with a vertical side 3a, which incorporates an inward portion 3b identical to that of inward portion 2b of said first member 2. To provide an engagement means in which first member 2 may be attached, there is provided an extending arm 3c, which on one side thereof being slanted face 3d which reverts to a horizontal portion 3e and then to a vertical portion 3f so as to provide a recess 3g in which extending portion 2c can be accommodated.

In accordance with a standard skirting board, there is additionally on side 3h a means in which a decorative face may be formed (as will be seen in figure 2), so as to provide the device with an attractive frontal view.

In use and to provide and to provide an effective skirting board system for the purposes aforementioned, the first member 2 in accordance with figure 1 is connected transversely across the lowest portion of an internal wall or similar, whereas face 2g has a plurality of engagement with the wall facing. Engagement means is provided through the use of screws or other securing methods.

Upon said first member 2 being attached to said wall, second member 3 is located transversely upon said first member 2, whereas engaging portion 2c lies within recess portion 3g of said 3, as will be seen in figure 3. Upon connection of both first and second members, further securement is provided by downward force of second member 3, whereupon 2d and 3d cause both members to wedge together.

Disengagement is provided by simply lifting said second member 3 upwardly away from first member 2, causing the plurality of engagement between portions 2c and 3g to be released.

To provide a channel in which electrical wires can be housed, as will be seen in figure 3, connection of both members provides a passageway. For use, second member 3 will be provided with a series of holes, which penetrate through face 3h, whereas the electrical wiring or similar can enter the device at one point and leave at another.

With a skirting board system in accordance with the invention and all its embodiments there is provided an skirting board which enables connection and disconnection being carried out most rapidly - provides the novice trade person to carry out precision decorating or other trades - hide electrical wiring or other cables.

As with the embodiments of figures 1 to 3, all embodiments of the device may be composed of a various timber materials or other light durable materials including plastic, so as to provide the degree of resistance necessary.

It is clear that the invention in accordance with aforementioned is well adapted to carry out the objectives herein. Whilst presently preferred embodiments of the invention have been described for the purposes of this disclosure, numerous changes may be made which will readily suggest



themselves to those skilled in the art and while accomplished within the spirit of the invention.

## CLAIMS

1 A skirting board system comprising a back plate and front plate. Back plate in the form of elongate lengths, providing a means for attachment to the front plate and securement to an internal wall. The front plate in the form of elongate lengths and comprises of a upward recess portion adapted to locate transversely with back plate extending portion, a means on inner side thereof to house electrical cable or similar through recessed channel.

2. A skirting board system as claimed in claim 1 wherein the back plate comprises of a upwardly extending portion, so as to locate transversely within upward recess portion of front plate.

3. A skirting board system as claimed in claim 1 and claim 2 and wherein front plate comprises of upward recess portion so as to house extending portion of back plate.

4. A skirting board system as claimed in claim 2 and claim 3 and wherein front plate comprises on rear side a further recess portion provided for the means for housing electrical cable.

5. A skirting board system as claimed in claim 4 and wherein front plate comprises of a decorative front side.

6. A skirting board system as claimed in claim 2 and claim 3 and wherein back plate upwardly extending portion is co-operable with front plate inward recess portion so as to provide a uniformed securement means.

7. A skirting board system substantially as described herein with reference to figures 1 to 3 of the accompanying drawings.



Application No: GB 9620299.9  
Claims searched: 1 - 7

Examiner: J D Cantrell  
Date of search: 1 October 1997

**Patents Act 1977  
Search Report under Section 17**

**Databases searched:**

UK Patent Office collections, including GB, EP, WO & US patent specifications, in:

UK Cl (Ed.O): E1D: DPE

Int Cl (Ed.6): E04F

Other:

**Documents considered to be relevant:**

Category	Identity of document and relevant passage	Relevant to claims
X	GB 1409824 SMITH (e. g. Fig 4)	1 - 6
X	GB 1246665 HARTLEY	1 - 3
X	GB 1155265 DEUSS	1 - 6
A	US 4337604 BURGERS	1 - 6

X	Document indicating lack of novelty or inventive step	A	Document indicating technological background and/or state of the art.
Y	Document indicating lack of inventive step if combined with one or more other documents of same category.	P	Document published on or after the declared priority date but before the filing date of this invention.
&	Member of the same patent family	E	Patent document published on or after, but with priority date earlier than, the filing date of this application.