



(11) **EP 2 568 221 A3**

(12) **EUROPEAN PATENT APPLICATION**

(88) Date of publication A3:
15.03.2017 Bulletin 2017/11

(51) Int Cl.:
F23R 3/10 (2006.01) F23R 3/26 (2006.01)

(43) Date of publication A2:
13.03.2013 Bulletin 2013/11

(21) Application number: **12182872.7**

(22) Date of filing: **04.09.2012**

(84) Designated Contracting States:
AL AT BE BG CH CY CZ DE DK EE ES FI FR GB GR HR HU IE IS IT LI LT LU LV MC MK MT NL NO PL PT RO RS SE SI SK SM TR
Designated Extension States:
BA ME

(72) Inventor: **Stewart, Jason Thurman Greer, SC South Carolina 29651 (US)**

(74) Representative: **Cleary, Fidelma GPO Europe GE International Inc. The Ark 201 Talgarth Road Hammersmith London W6 8BJ (GB)**

(30) Priority: **09.09.2011 US 201113229115**

(71) Applicant: **General Electric Company Schenectady, NY 12345 (US)**

(54) **Turning guide for combustion fuel nozzle in gas turbine and method to turn fuel flow entering combustion chamber**

(57) A fuel nozzle assembly (20) for a gas turbine, the assembly including: a cylindrical center body (50); a cylindrical shroud (46) coaxial with and extending around the center body (50), and a turning guide (42) having an

downstream edge extending in a passage between the center body (50) and an inlet (56) to the shroud (46), wherein the turning guide (42) extends only partially around the center body (50).

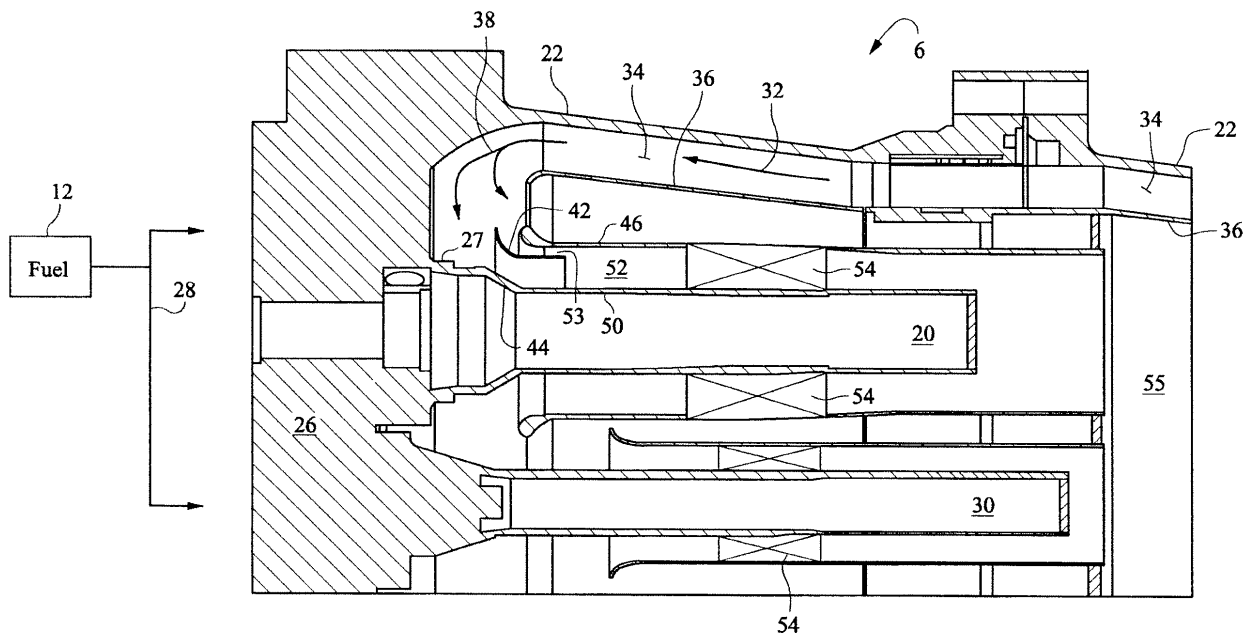


Fig. 2

EP 2 568 221 A3



EUROPEAN SEARCH REPORT

Application Number
EP 12 18 2872

5

10

15

20

25

30

35

40

45

50

55

DOCUMENTS CONSIDERED TO BE RELEVANT			
Category	Citation of document with indication, where appropriate, of relevant passages	Relevant to claim	CLASSIFICATION OF THE APPLICATION (IPC)
X	US 7 770 395 B2 (TANIMURA SATOSHI [JP] ET AL) 10 August 2010 (2010-08-10)	1-5, 7-11,13, 14	INV. F23R3/10 F23R3/26
Y	* figures 2,6,7,8,10 * -----	12	
X	US 2009/173074 A1 (JOHNSON THOMAS EDWARD [US] ET AL) 9 July 2009 (2009-07-09)	1-5, 7-11,13, 14	
Y	* figures 2,3,7 * -----	6,12	
Y	US 2010/229556 A1 (DINU CONSTANTIN [US]) 16 September 2010 (2010-09-16) * the whole document *	6,12	
Y	US 6 634 175 B1 (KAWATA YUTAKA [JP] ET AL) 21 October 2003 (2003-10-21) * the whole document *	12	
X	US 4 584 834 A (KOSHOFFER JOHN M [US] ET AL) 29 April 1986 (1986-04-29) * figure 4 * -----	6	TECHNICAL FIELDS SEARCHED (IPC)
			F23R
The present search report has been drawn up for all claims			
Place of search Munich		Date of completion of the search 31 January 2017	Examiner Christen, Jérôme
CATEGORY OF CITED DOCUMENTS X : particularly relevant if taken alone Y : particularly relevant if combined with another document of the same category A : technological background O : non-written disclosure P : intermediate document T : theory or principle underlying the invention E : earlier patent document, but published on, or after the filing date D : document cited in the application L : document cited for other reasons & : member of the same patent family, corresponding document			

EPO FORM 1503 03.02 (P04C01)

ANNEX TO THE EUROPEAN SEARCH REPORT
ON EUROPEAN PATENT APPLICATION NO.

EP 12 18 2872

5 This annex lists the patent family members relating to the patent documents cited in the above-mentioned European search report.
The members are as contained in the European Patent Office EDP file on
The European Patent Office is in no way liable for these particulars which are merely given for the purpose of information.

31-01-2017

Patent document cited in search report	Publication date	Patent family member(s)	Publication date
US 7770395 B2	10-08-2010	CN 101050867 A	10-10-2007
		DE 102007008995 A1	06-09-2007
		JP 4838682 B2	14-12-2011
		JP 2007232347 A	13-09-2007
		US 2007199325 A1	30-08-2007

US 2009173074 A1	09-07-2009	CH 698347 A2	15-07-2009
		CN 101476725 A	08-07-2009
		DE 102008055596 A1	09-07-2009
		JP 2009162476 A	23-07-2009
		US 2009173074 A1	09-07-2009

US 2010229556 A1	16-09-2010	CN 101839178 A	22-09-2010
		EP 2236937 A2	06-10-2010
		JP 2010216479 A	30-09-2010
		US 2010229556 A1	16-09-2010

US 6634175 B1	21-10-2003	CA 2340107 A1	14-12-2000
		EP 1103767 A1	30-05-2001
		EP 2189722 A2	26-05-2010
		JP 3364169 B2	08-01-2003
		JP 2000346361 A	15-12-2000
		US 6634175 B1	21-10-2003
		WO 0075573 A1	14-12-2000

US 4584834 A	29-04-1986	DE 3323490 A1	12-01-1984
		FR 2529954 A1	13-01-1984
		GB 2123137 A	25-01-1984
		IT 1168267 B	20-05-1987
		JP H045894 B2	04-02-1992
		JP S5935724 A	27-02-1984
		US 4584834 A	29-04-1986
