



(19) **United States**

(12) **Patent Application Publication**

**Coles et al.**

(10) **Pub. No.: US 2014/0069719 A1**

(43) **Pub. Date: Mar. 13, 2014**

(54) **END TERMINATION FOR THREE-PHASE INSULATED CONDUCTORS**

**Publication Classification**

(71) Applicants: **John Matthew Coles**, Katy, TX (US); **Francis Marion Stone, JR.**, Marquez, TX (US); **Patrick Silas Harmason**, Missouri City, TX (US); **Charles D'Angelo, III**, Houston, TX (US); **David Booth Burns**, Houston, TX (US)

(51) **Int. Cl.**  
*H01R 4/00* (2006.01)  
*H01R 43/00* (2006.01)  
(52) **U.S. Cl.**  
CPC . *H01R 4/00* (2013.01); *H01R 43/00* (2013.01)  
USPC ..... **174/74 R**; 29/869

(72) Inventors: **John Matthew Coles**, Katy, TX (US); **Francis Marion Stone, JR.**, Marquez, TX (US); **Patrick Silas Harmason**, Missouri City, TX (US); **Charles D'Angelo, III**, Houston, TX (US); **David Booth Burns**, Houston, TX (US)

(57) **ABSTRACT**

A fitting for coupling ends of cores of three insulated conductors includes an end termination placed over end portions of the three insulated conductors. The end termination includes three separate openings that pass through the end termination longitudinally. Each of the insulated conductors passes through one of the openings with end portions of the insulated conductors protruding from one side of the end termination. Exposed cores of the end portions of the insulated conductors protrude from the end termination. A cylinder is coupled to the side of the end termination from which the end portions of the insulated conductors protrude. An electrical bus is coupled to the exposed portion of the cores. Electrically insulating material fills the cylinder such that the cores are substantially enclosed in the electrically insulating material. An end cap is coupled to the cylinder to seal off the interior of the cylinder.

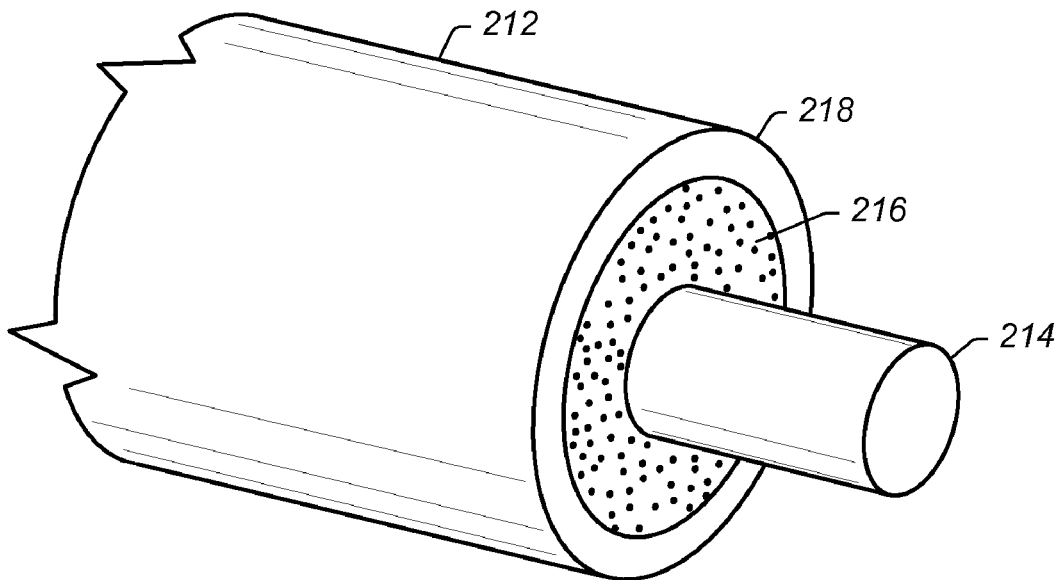
(21) Appl. No.: **14/082,557**

(22) Filed: **Nov. 18, 2013**

**Related U.S. Application Data**

(63) Continuation of application No. 13/268,246, filed on Oct. 7, 2011, now Pat. No. 8,586,867.

(60) Provisional application No. 61/391,399, filed on Oct. 8, 2010, provisional application No. 61/473,594, filed on Apr. 8, 2011.



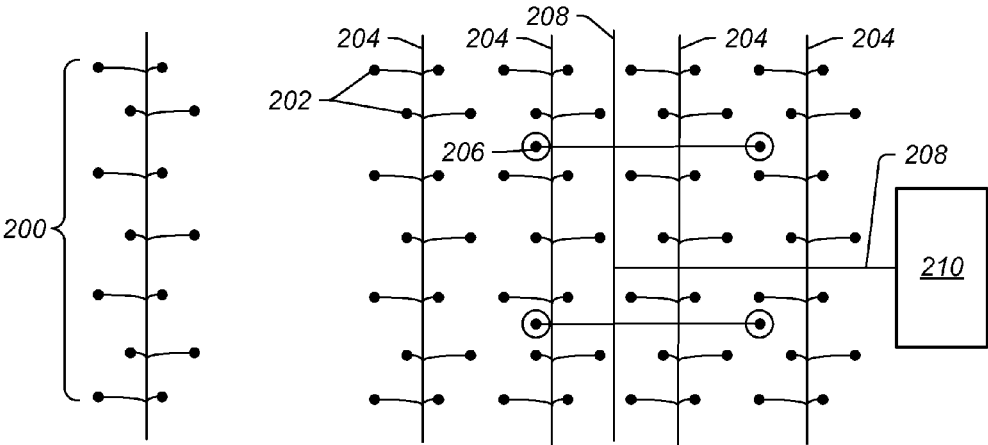


FIG. 1

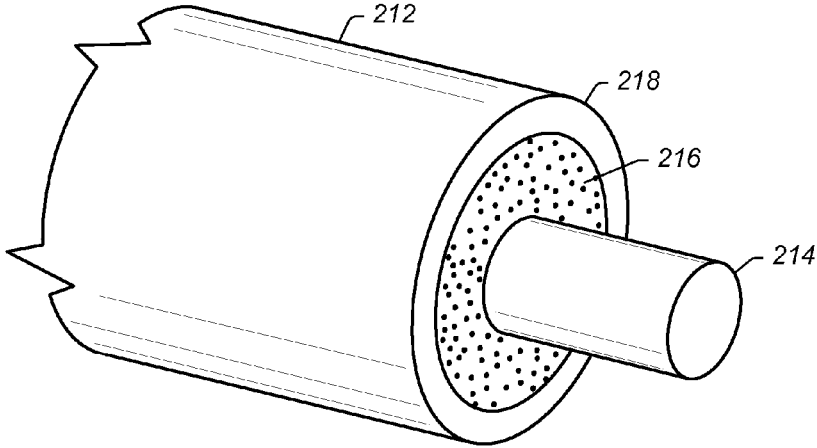


FIG. 2

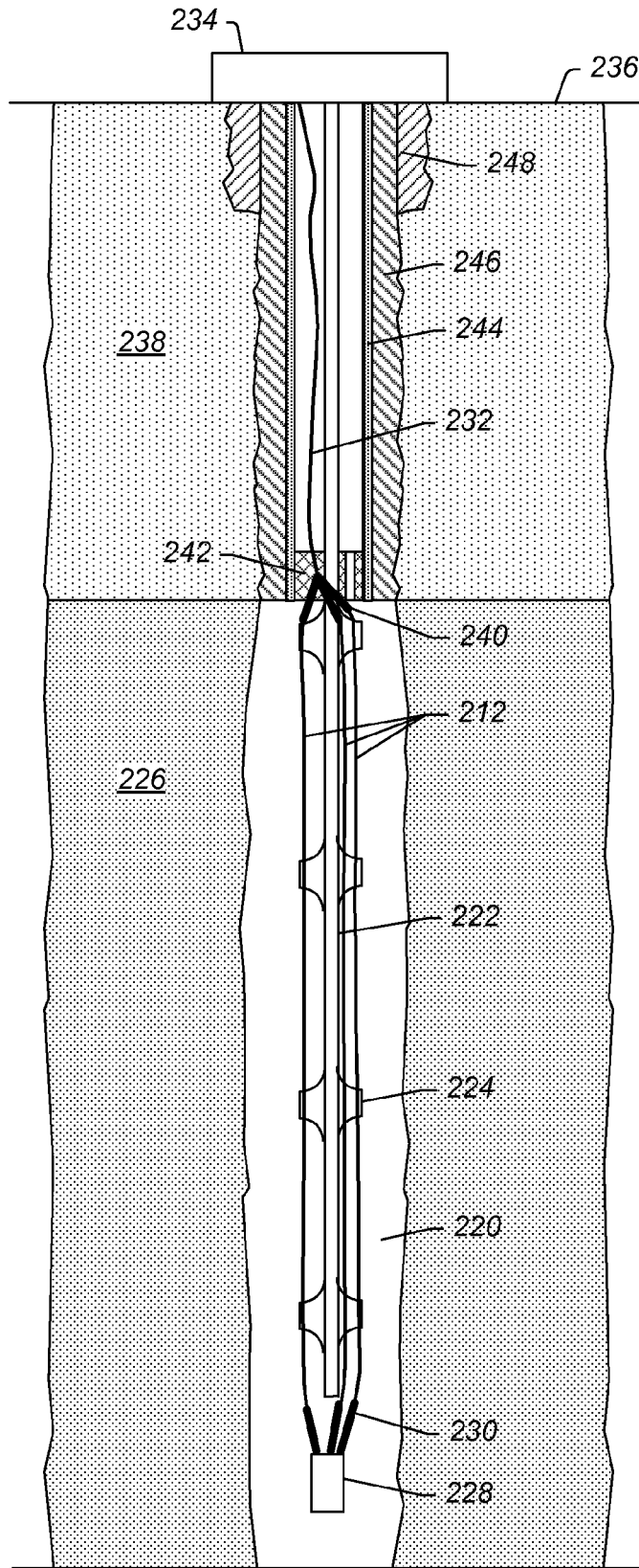


FIG. 3

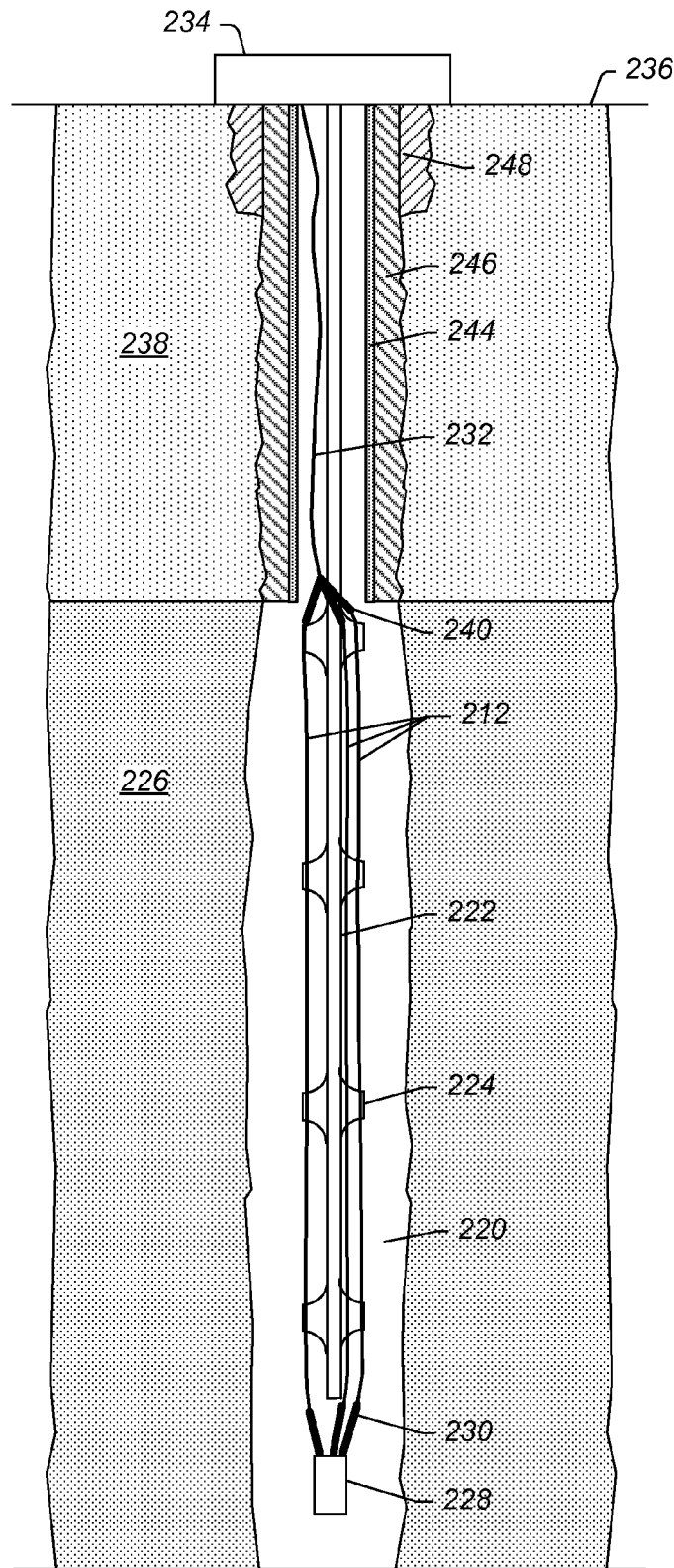


FIG. 4

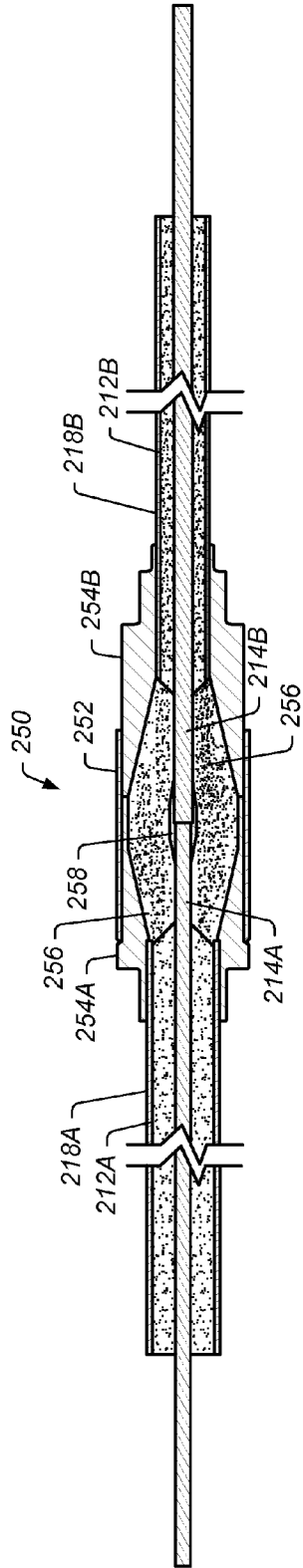


FIG. 5

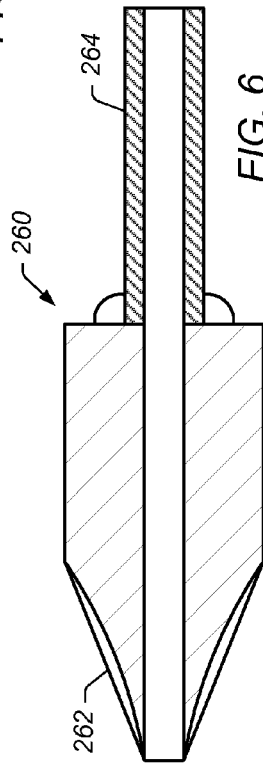


FIG. 6

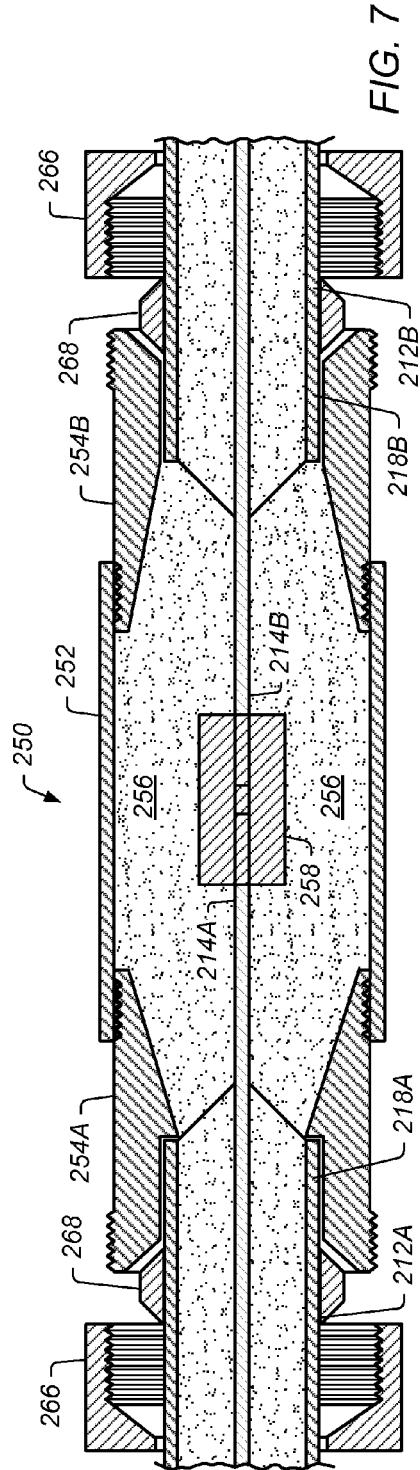


FIG. 7

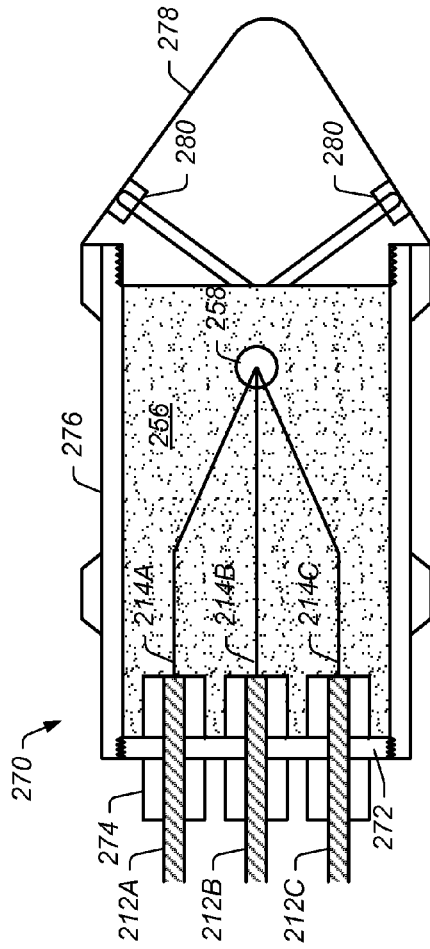


FIG. 8A

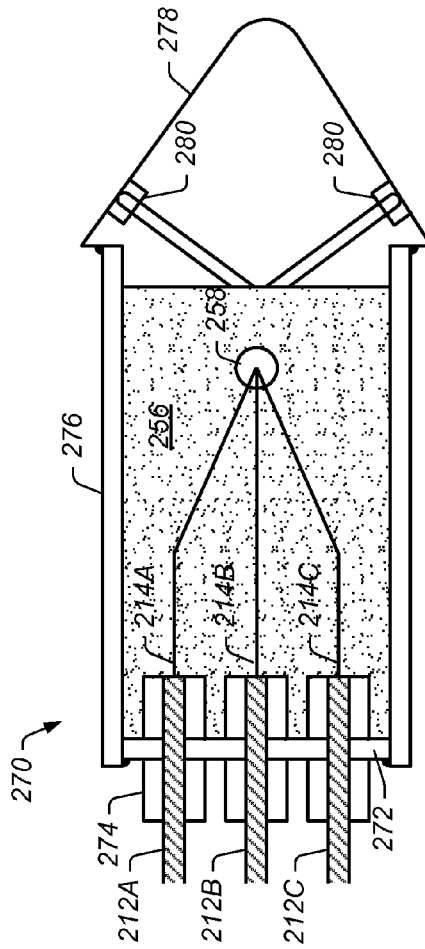


FIG. 8B

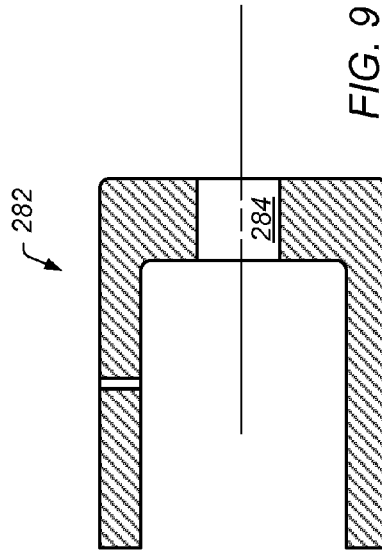


FIG. 9

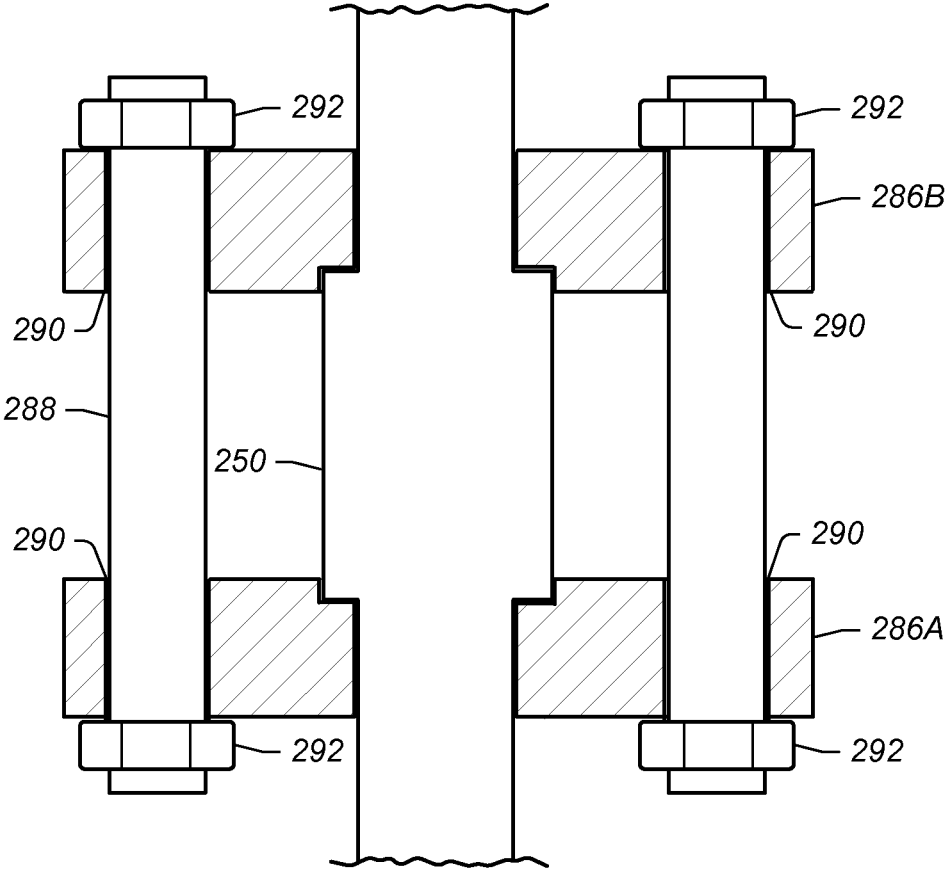


FIG. 10

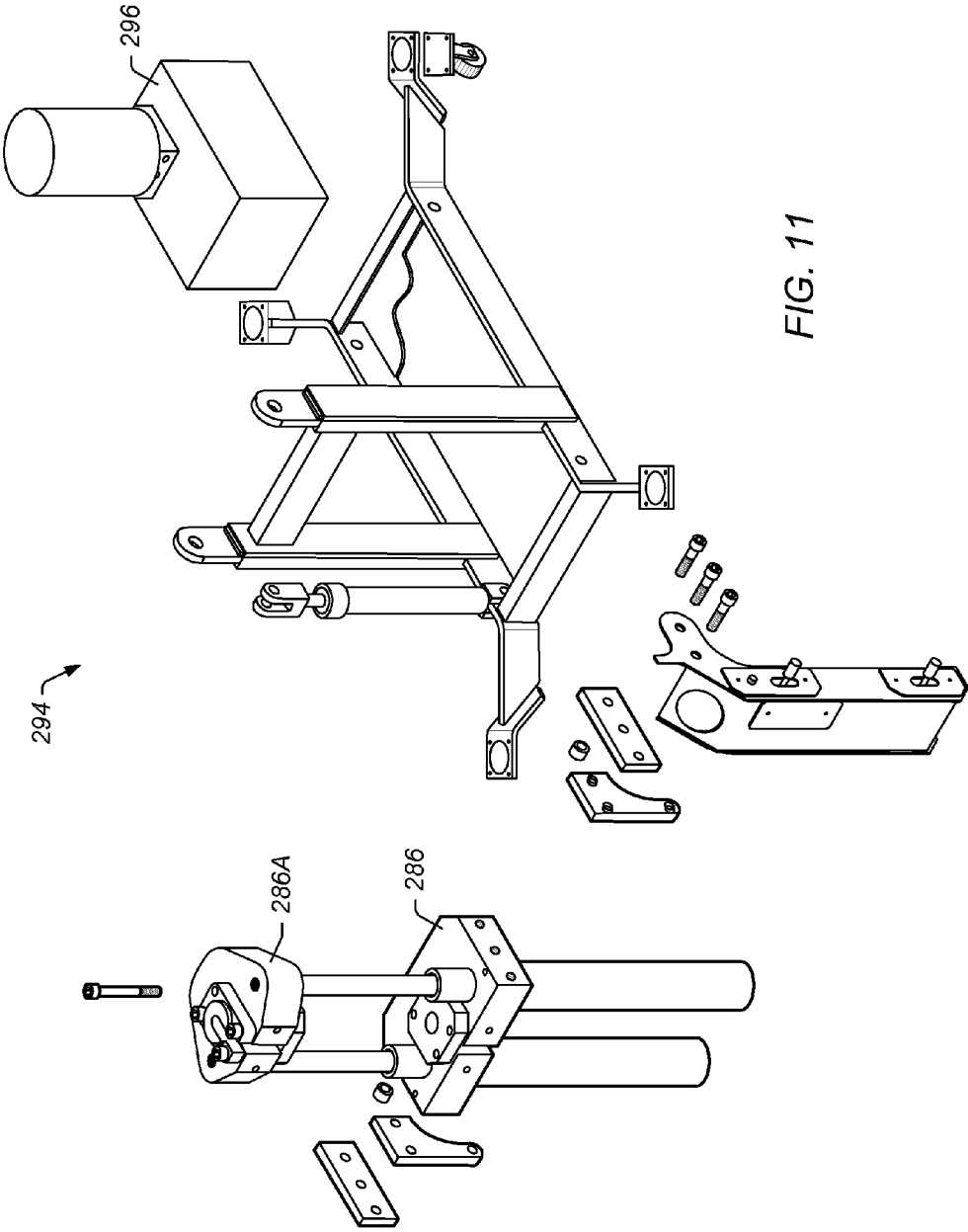


FIG. 11



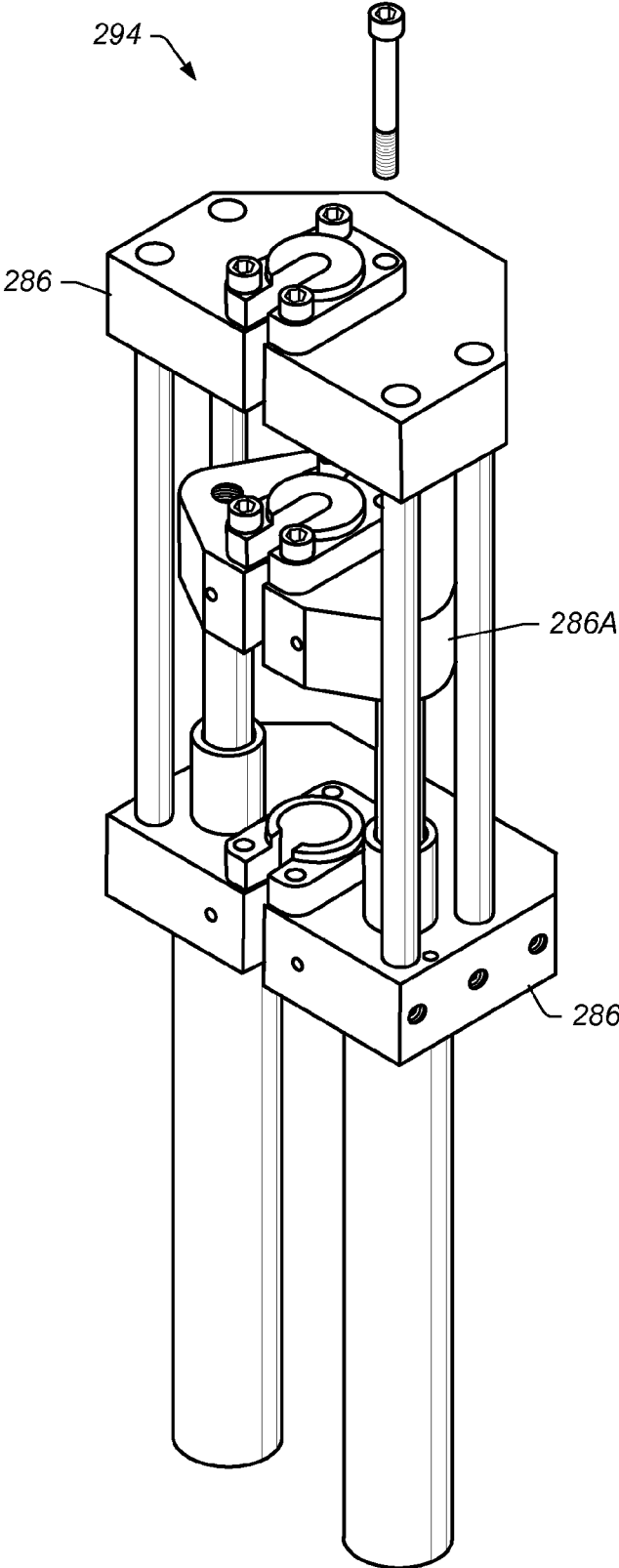


FIG. 12

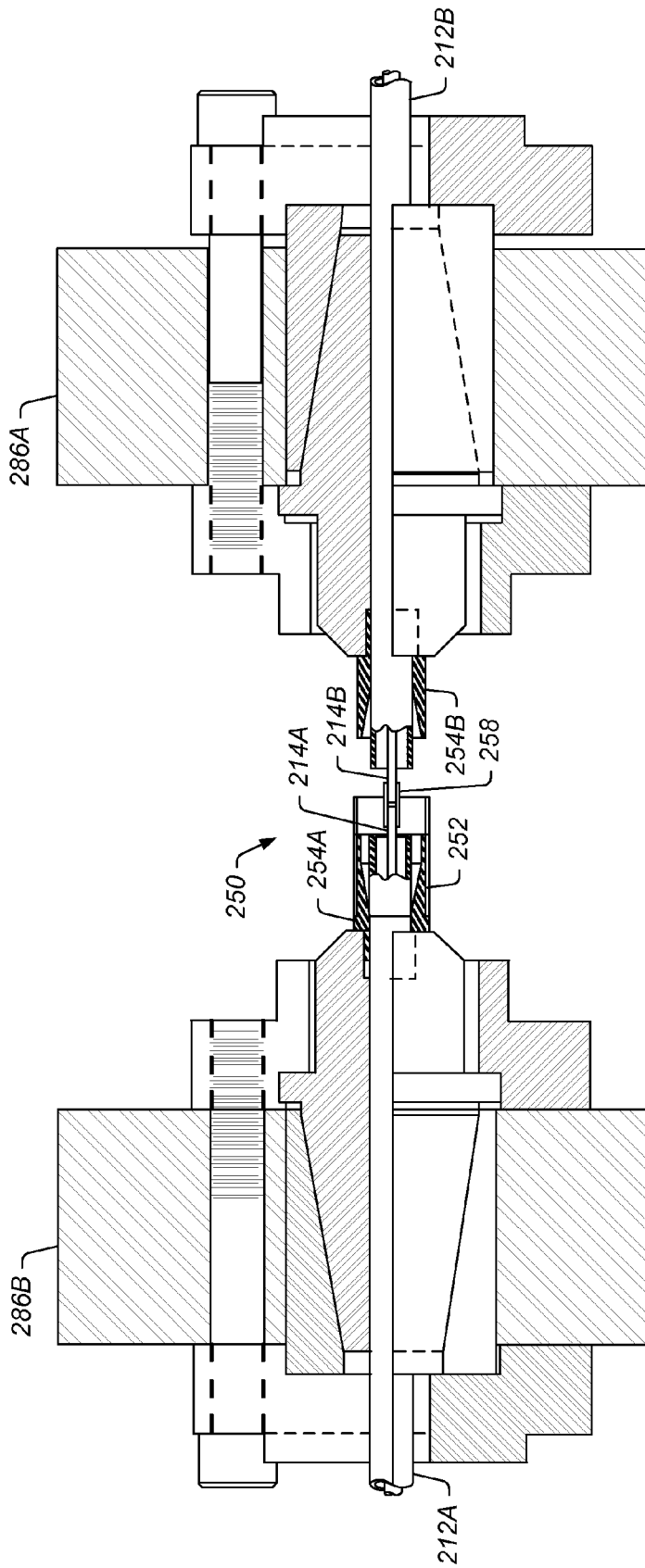


FIG. 13

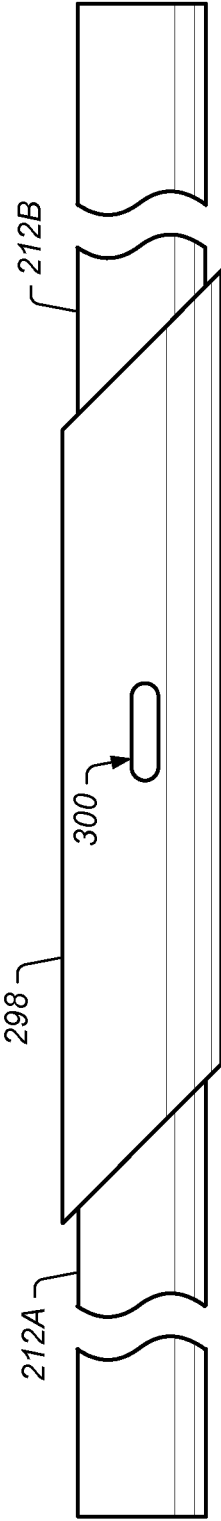


FIG. 14

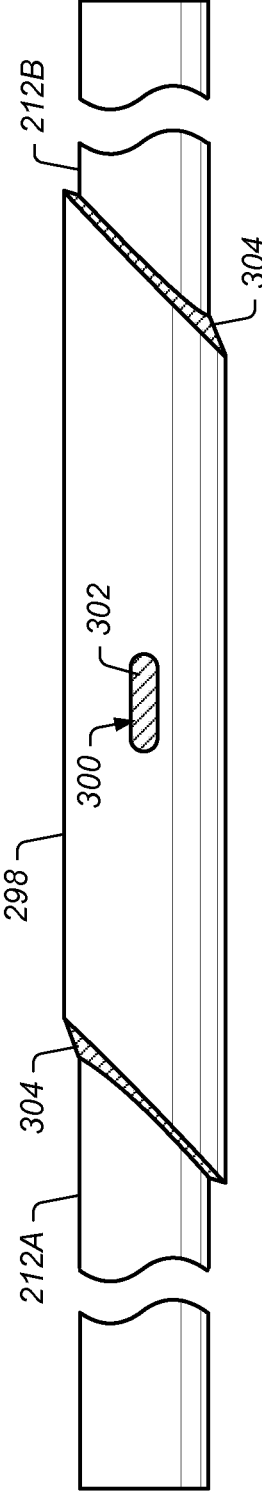


FIG. 15

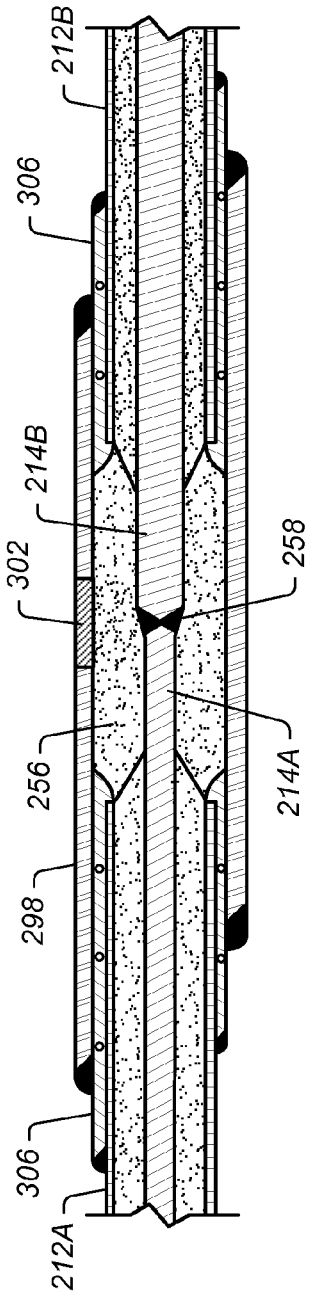


FIG. 16

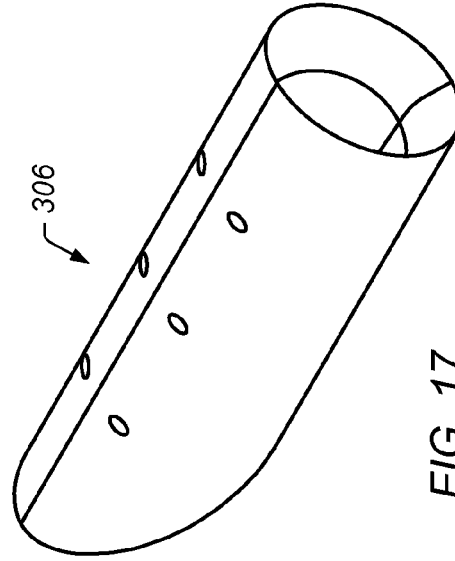


FIG. 17

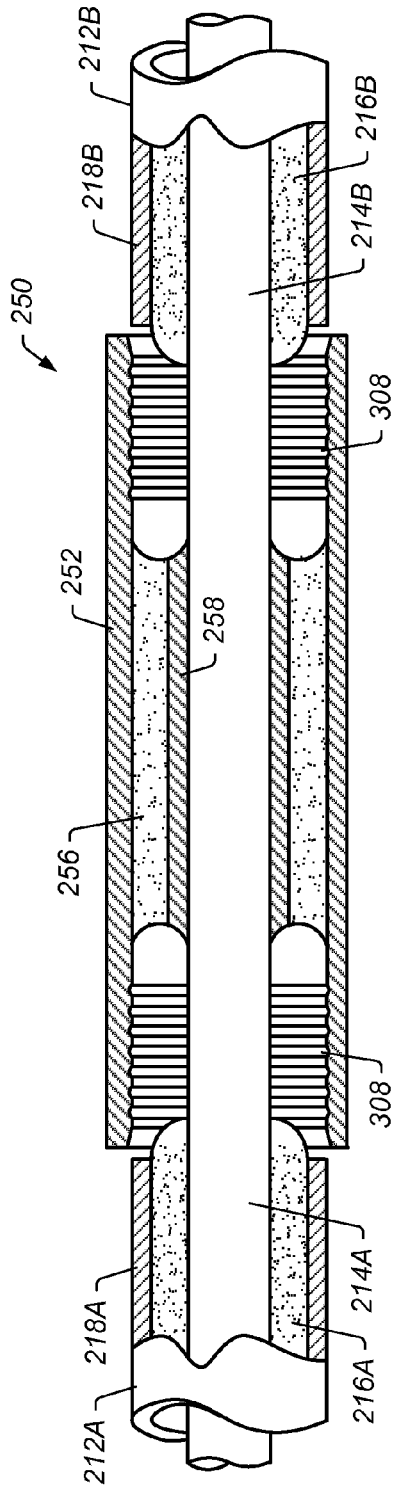


FIG. 18

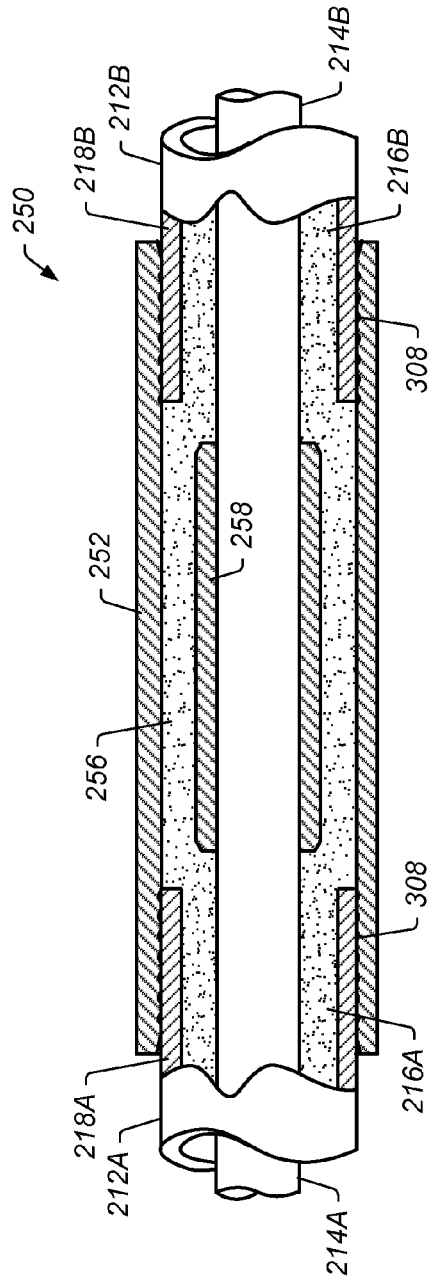


FIG. 19

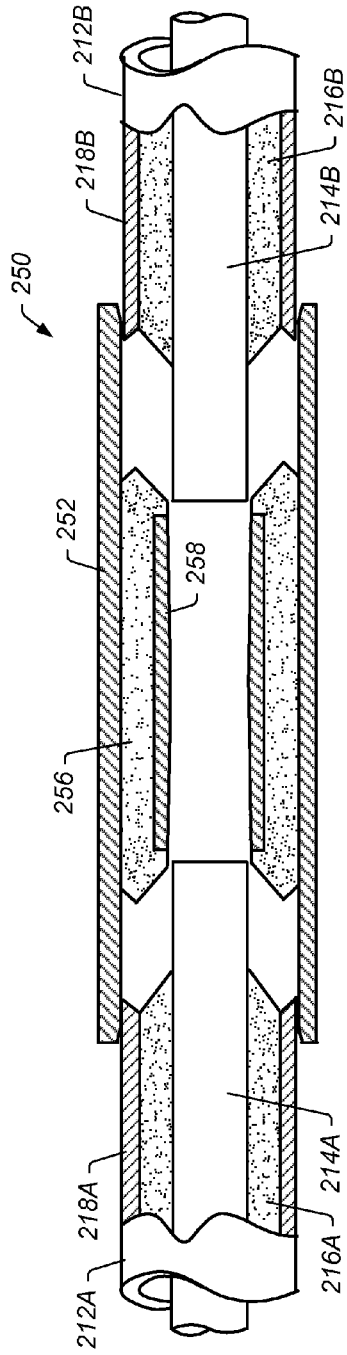


FIG. 20

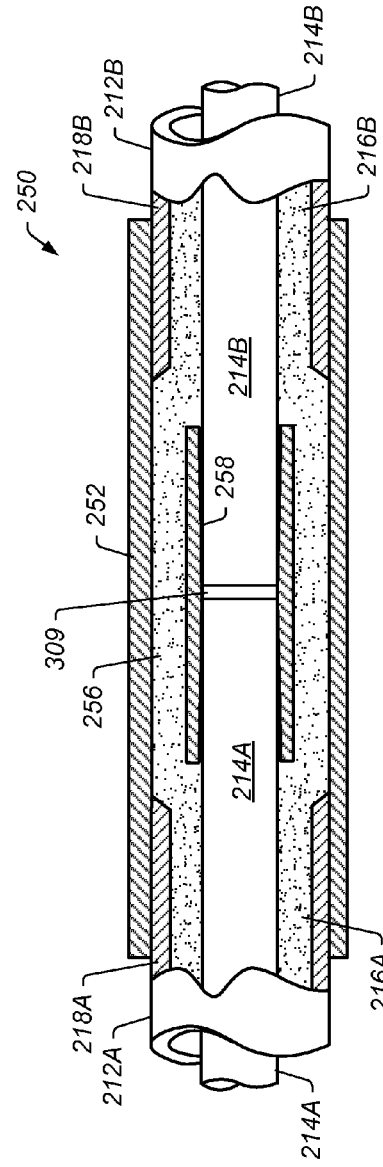


FIG. 21

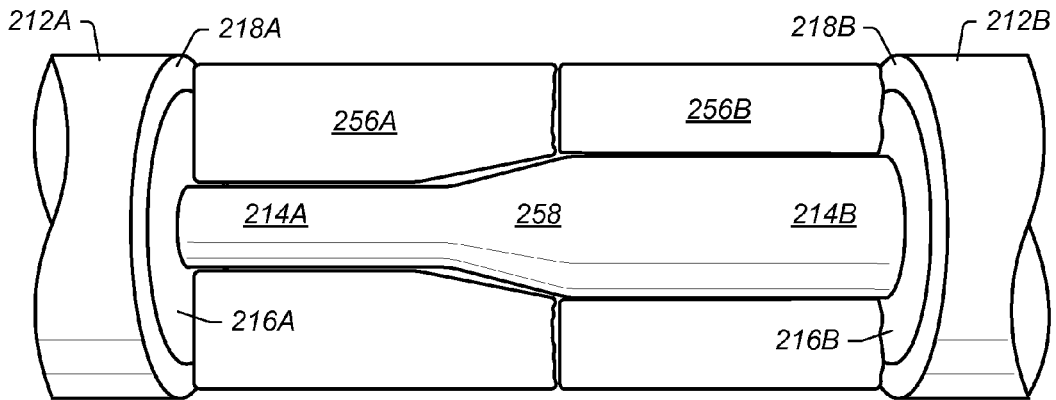


FIG. 22

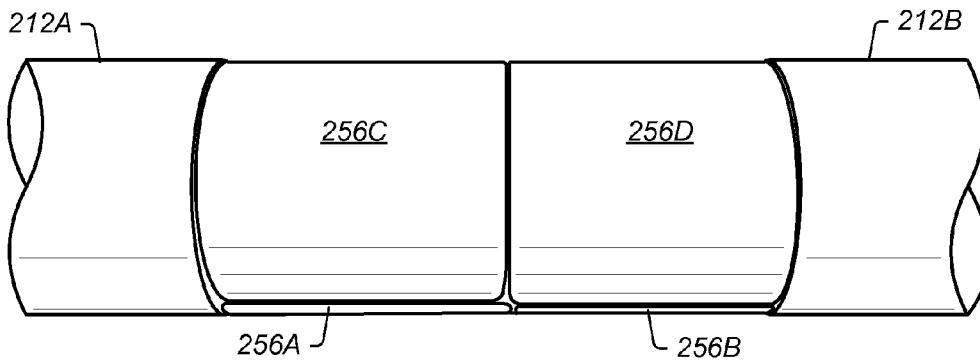


FIG. 23

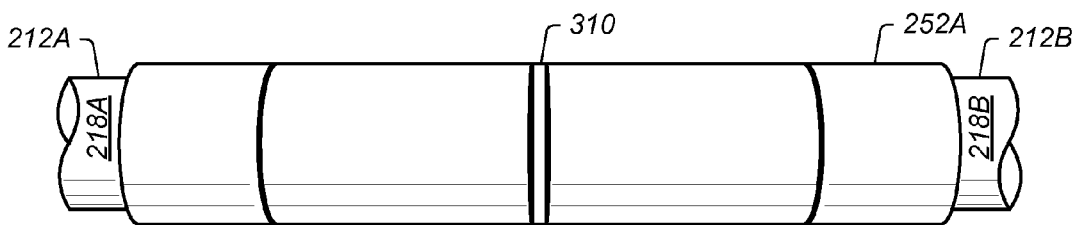


FIG. 24

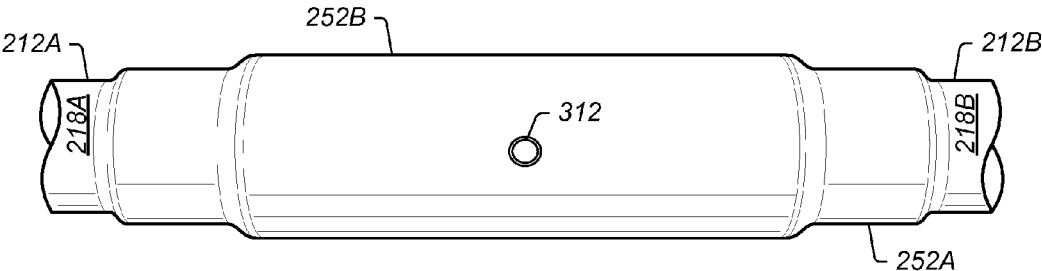


FIG. 25

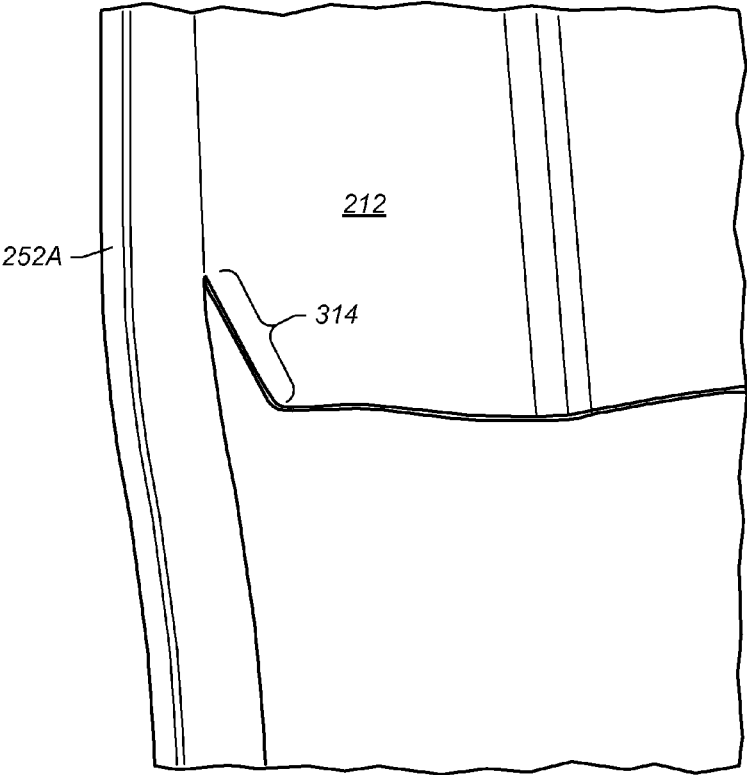


FIG. 26



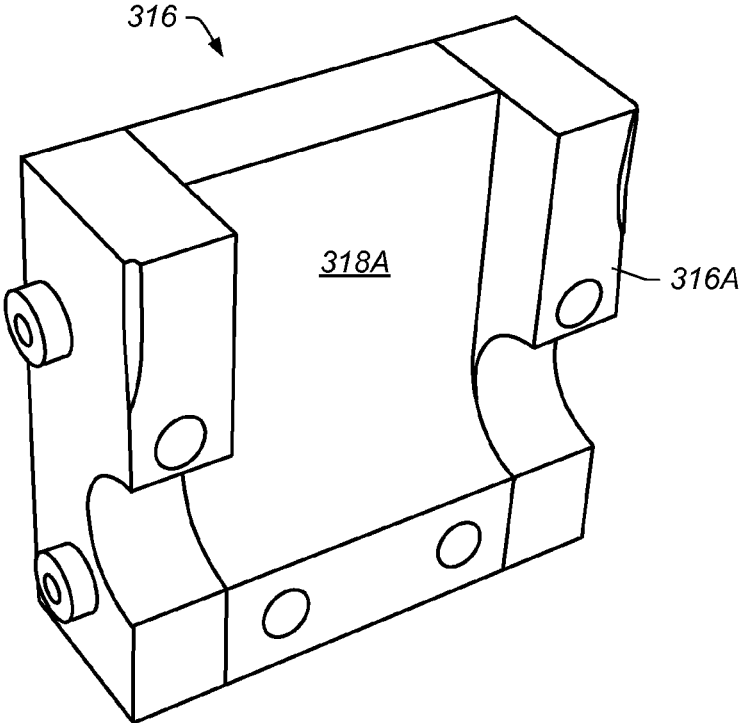


FIG. 27

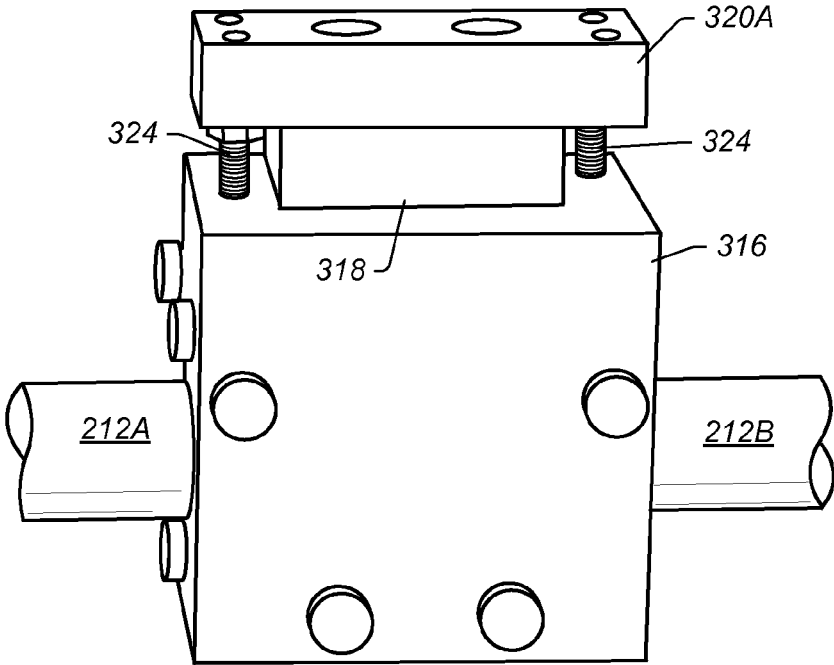


FIG. 28

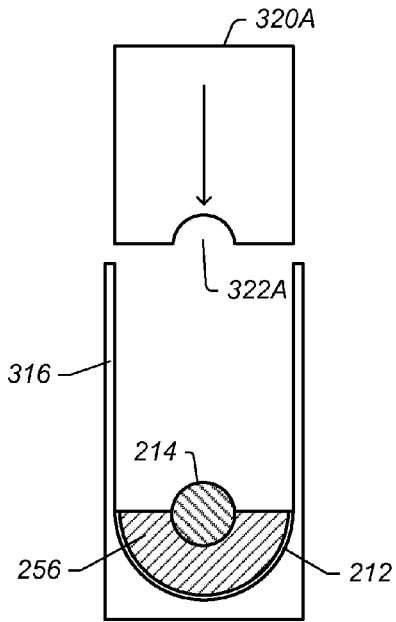


FIG. 29

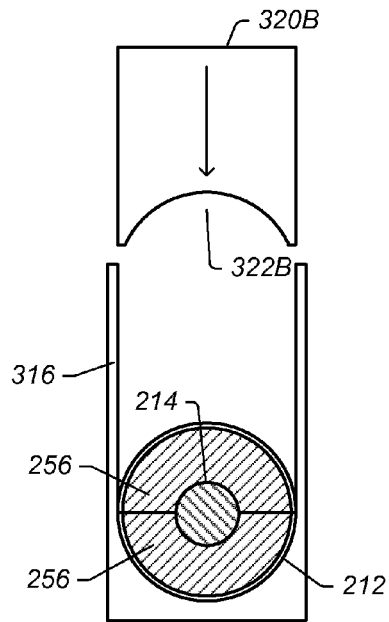


FIG. 30

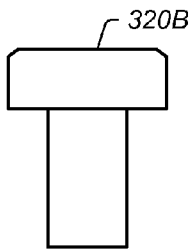


FIG. 31A

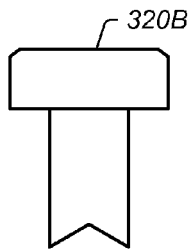


FIG. 31B

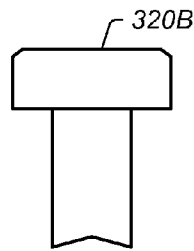


FIG. 31C

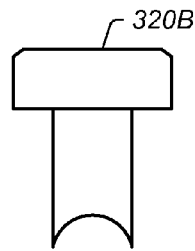


FIG. 31D

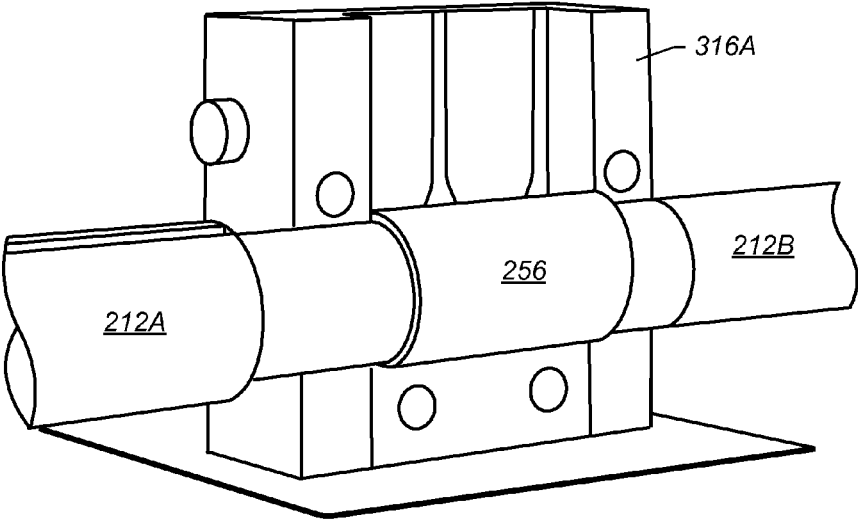


FIG. 32

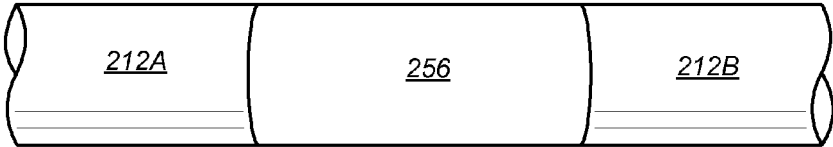


FIG. 33

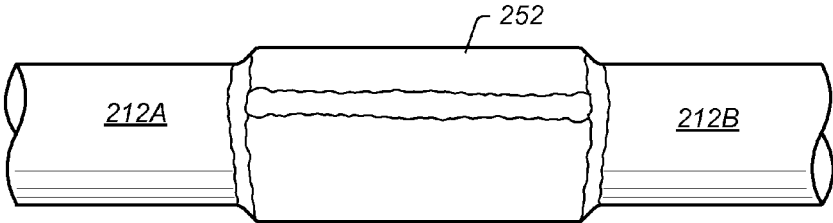


FIG. 34

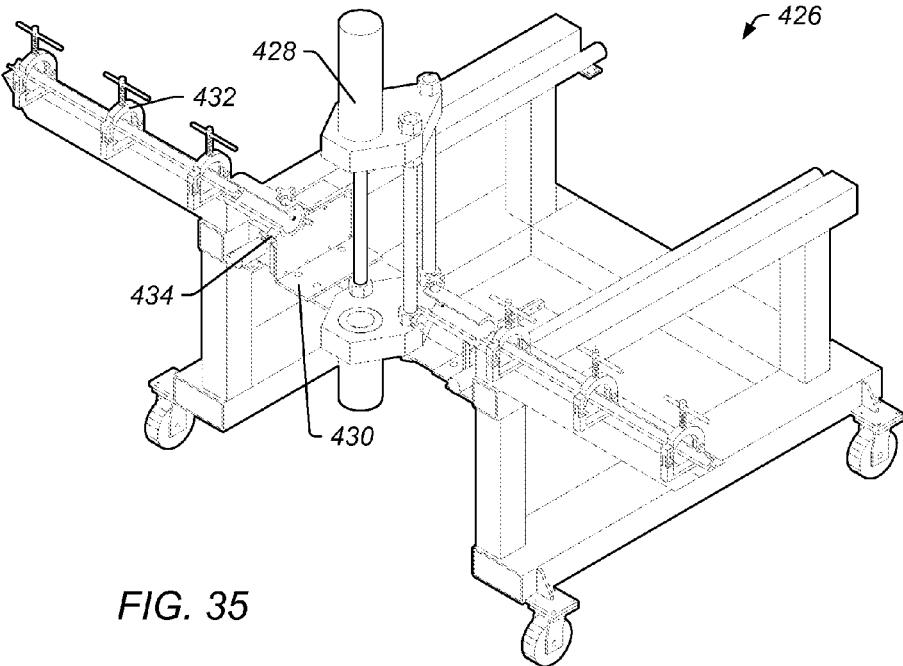


FIG. 35

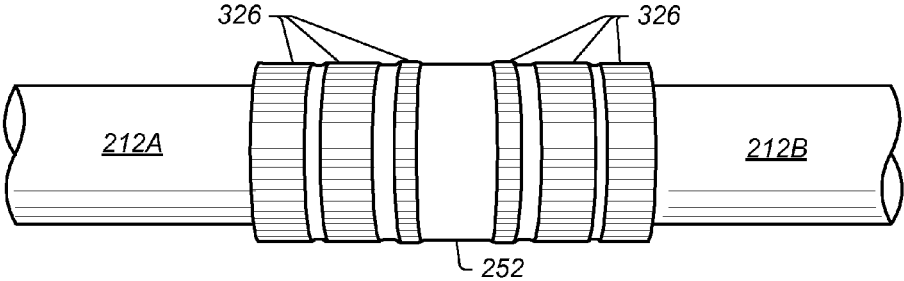


FIG. 36

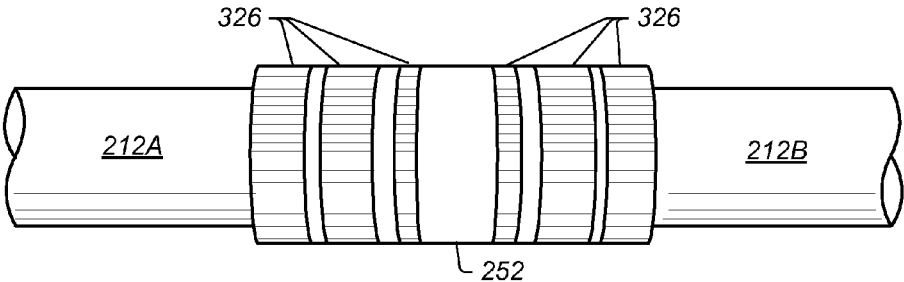


FIG. 37

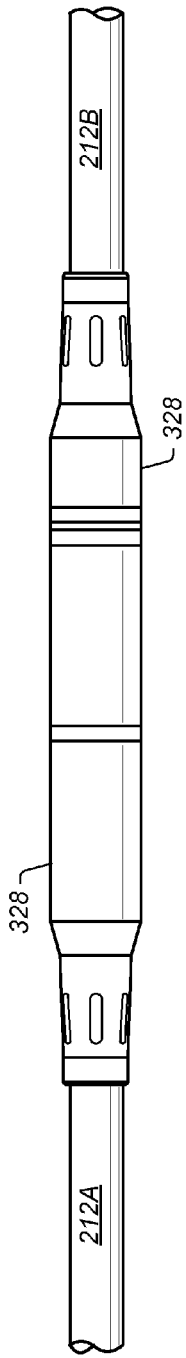


FIG. 38

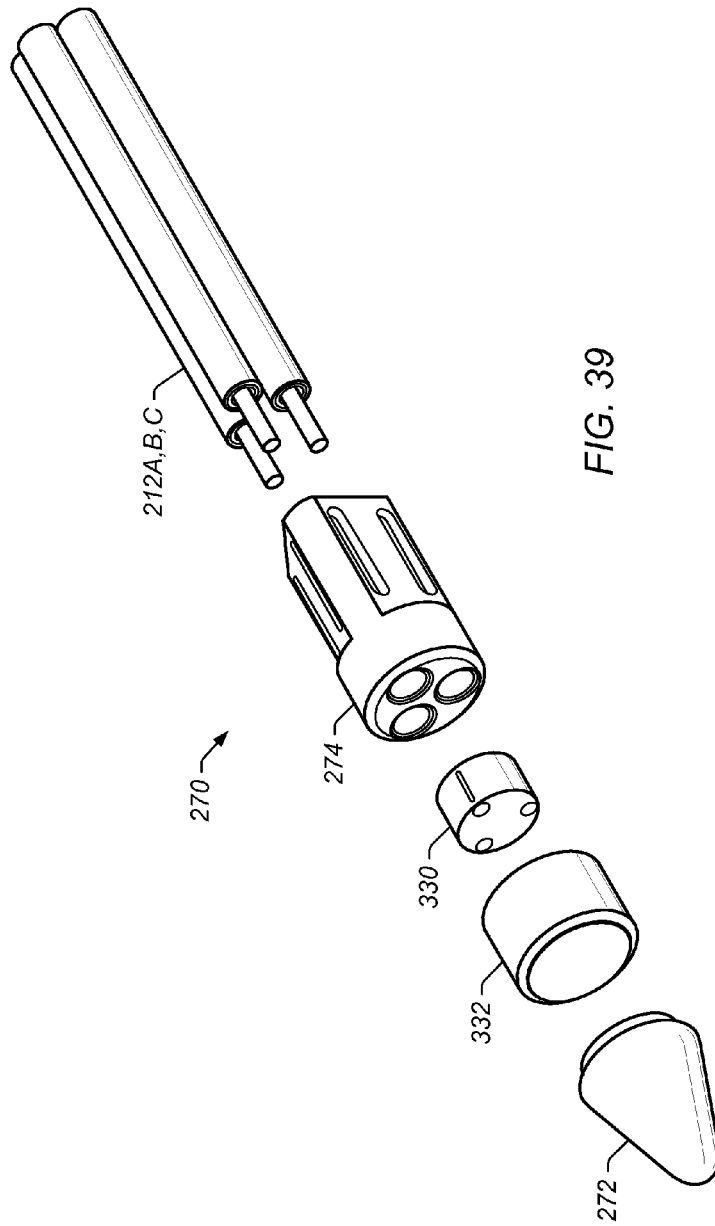


FIG. 39

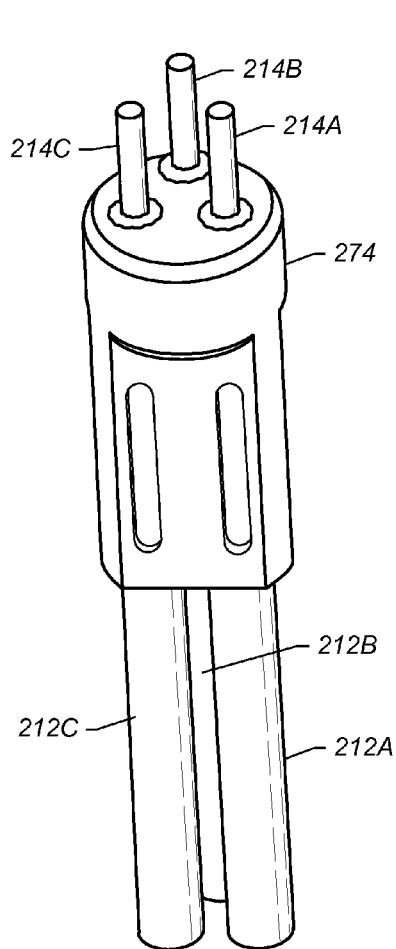


FIG. 40

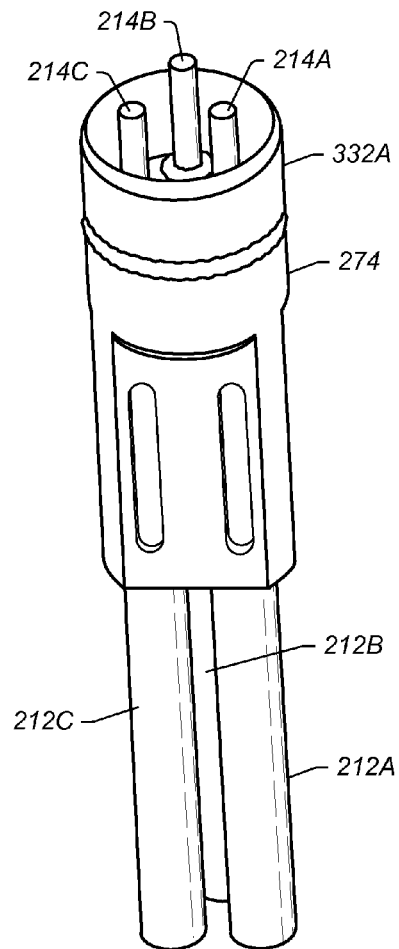


FIG. 41

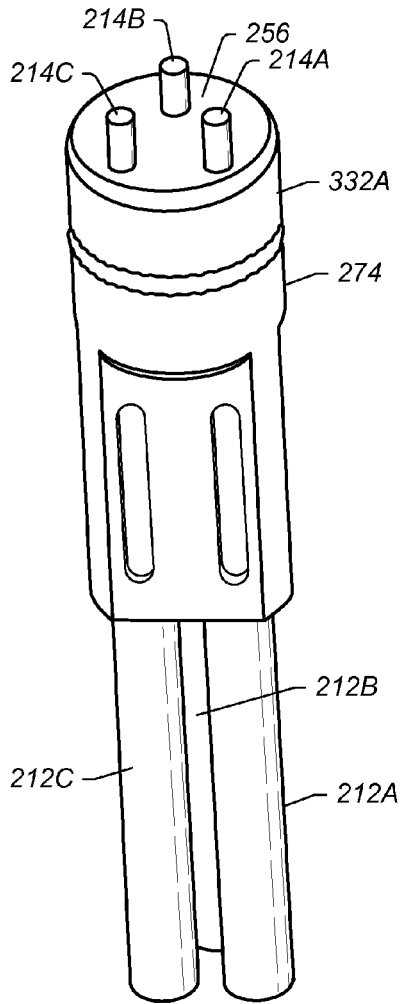


FIG. 42

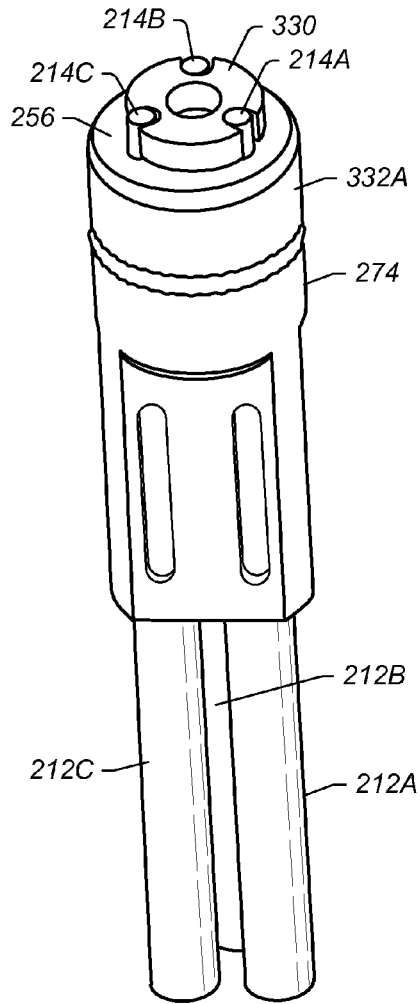


FIG. 43

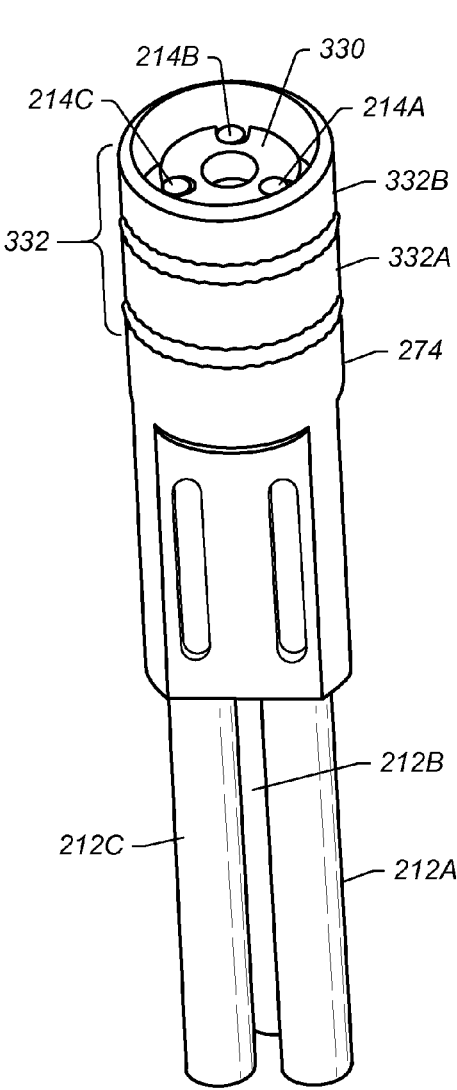


FIG. 44

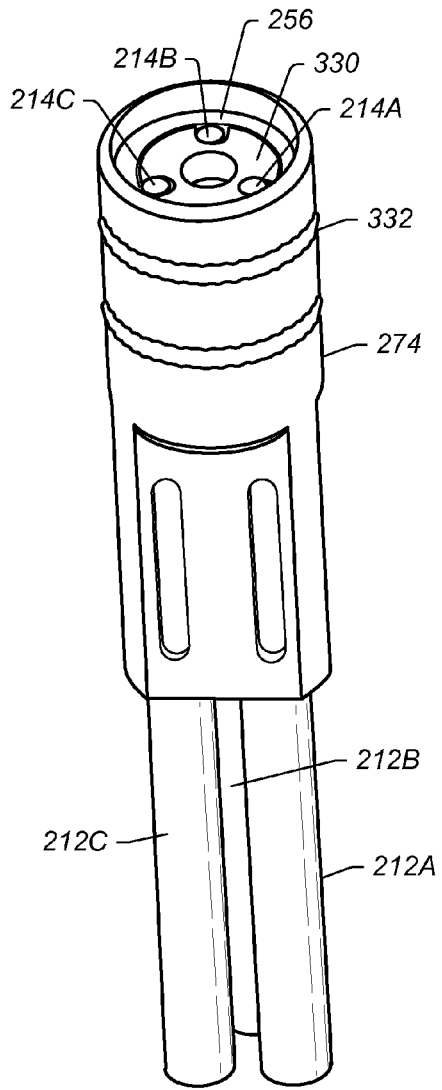


FIG. 45



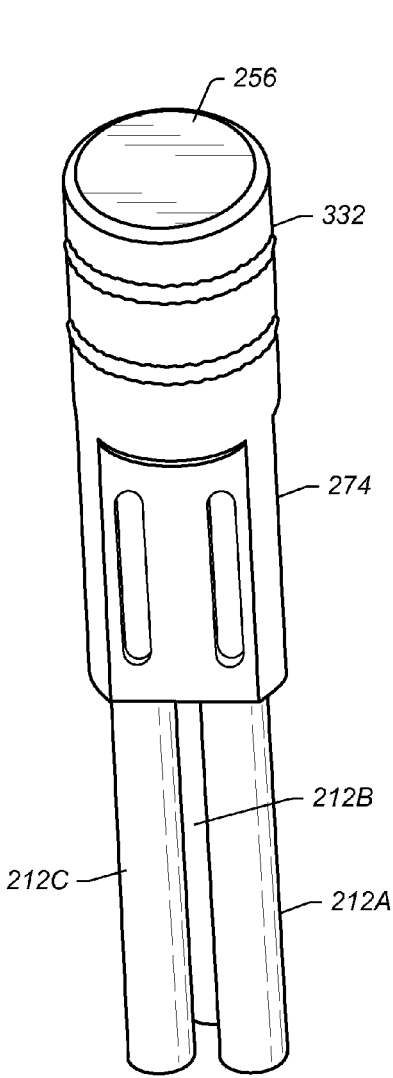


FIG. 46

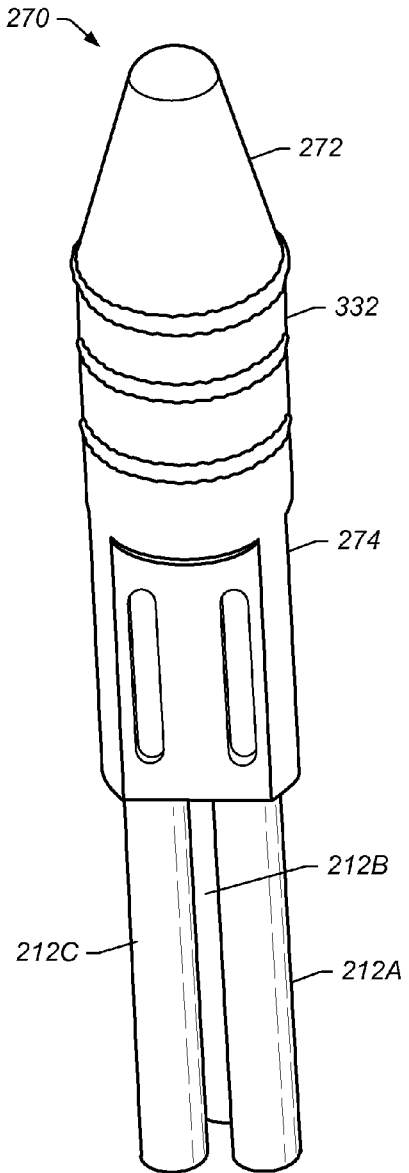


FIG. 47

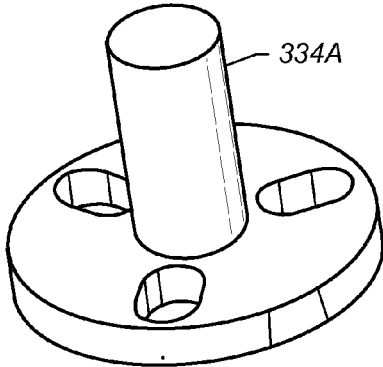


FIG. 48

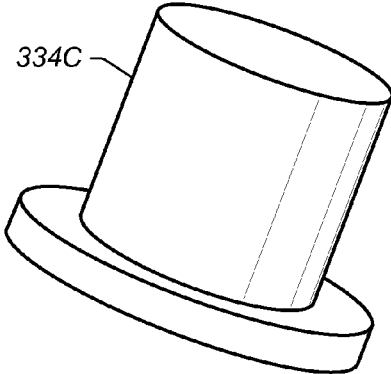


FIG. 50

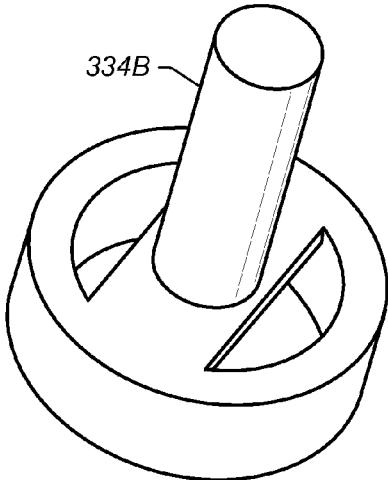


FIG. 49

## END TERMINATION FOR THREE-PHASE INSULATED CONDUCTORS

### PRIORITY CLAIM

**[0001]** This patent application is a continuation of U.S. patent application Ser. No. 13/268,246 entitled "END TERMINATION FOR THREE-PHASE INSULATED CONDUCTORS" to Coles et al., filed Oct. 7, 2011, now U.S. Pat. No. 8,586,867 issued Nov. 19, 2013 which claims priority to U.S. Provisional Patent Application Ser. No. 61/391,399 entitled "SYSTEMS AND METHODS FOR JOINING INSULATED CONDUCTORS" to Coles et al. filed on Oct. 8, 2010; and U.S. Provisional Patent No. 61/473,594 entitled "SYSTEMS AND METHODS FOR JOINING INSULATED CONDUCTORS" to Coles et al. filed on Apr. 8, 2011, all of which are incorporated by reference in their entirety.

### RELATED PATENTS

**[0002]** This patent application incorporates by reference in its entirety each of U.S. Pat. No. 6,688,387 to Wellington et al.; U.S. Pat. No. 6,991,036 to Sumnu-Dindoruk et al.; U.S. Pat. No. 6,698,515 to Karanikas et al.; U.S. Pat. No. 6,880,633 to Wellington et al.; U.S. Pat. No. 6,782,947 to de Rouffignac et al.; U.S. Pat. No. 6,991,045 to Vinegar et al.; U.S. Pat. No. 7,073,578 to Vinegar et al.; U.S. Pat. No. 7,121,342 to Vinegar et al.; U.S. Pat. No. 7,320,364 to Fairbanks; U.S. Pat. No. 7,527,094 to McKinzie et al.; U.S. Pat. No. 7,584,789 to Mo et al.; U.S. Pat. No. 7,533,719 to Hinson et al.; U.S. Pat. No. 7,562,707 to Miller; and U.S. Pat. No. 7,798,220 to Vinegar et al.; U.S. Patent Application Publication Nos. 2009-0189617 to Burns et al.; 2010-0071903 to Prince-Wright et al.; 2010-0096137 to Nguyen et al.; and 2010-0258265 to Karanikas et al.

### BACKGROUND

**[0003]** 1. Field of the Invention

**[0004]** The present invention relates to systems for insulated conductors used in heater elements. More particularly, the invention relates to fittings to splice together insulated conductor cables.

**[0005]** 2. Description of Related Art

**[0006]** Hydrocarbons obtained from subterranean formations are often used as energy resources, as feedstocks, and as consumer products. Concerns over depletion of available hydrocarbon resources and concerns over declining overall quality of produced hydrocarbons have led to development of processes for more efficient recovery, processing and/or use of available hydrocarbon resources. In situ processes may be used to remove hydrocarbon materials from subterranean formations that were previously inaccessible and/or too expensive to extract using available methods. Chemical and/or physical properties of hydrocarbon material in a subterranean formation may need to be changed to allow hydrocarbon material to be more easily removed from the subterranean formation and/or increase the value of the hydrocarbon material. The chemical and physical changes may include in situ reactions that produce removable fluids, composition changes, solubility changes, density changes, phase changes, and/or viscosity changes of the hydrocarbon material in the formation.

**[0007]** Heaters may be placed in wellbores to heat a formation during an in situ process. There are many different types

of heaters which may be used to heat the formation. Examples of in situ processes utilizing downhole heaters are illustrated in U.S. Pat. No. 2,634,961 to Ljungstrom; U.S. Pat. No. 2,732,195 to Ljungstrom; U.S. Pat. No. 2,780,450 to Ljungstrom; U.S. Pat. No. 2,789,805 to Ljungstrom; U.S. Pat. No. 2,923,535 to Ljungstrom; U.S. Pat. No. 4,886,118 to Van Meurs et al.; and U.S. Pat. No. 6,688,387 to Wellington et al., each of which is incorporated by reference as if fully set forth herein.

**[0008]** Mineral insulated (MI) cables (insulated conductors) for use in subsurface applications, such as heating hydrocarbon containing formations in some applications, are longer, may have larger outside diameters, and may operate at higher voltages and temperatures than what is typical in the MI cable industry. There are many potential problems during manufacture and/or assembly of long length insulated conductors.

**[0009]** For example, there are potential electrical and/or mechanical problems due to degradation over time of the electrical insulator used in the insulated conductor. There are also potential problems with electrical insulators to overcome during assembly of the insulated conductor heater. Problems such as core bulge or other mechanical defects may occur during assembly of the insulated conductor heater. Such occurrences may lead to electrical problems during use of the heater and may potentially render the heater inoperable for its intended purpose.

**[0010]** In addition, for subsurface applications, the joining of multiple MI cables may be needed to make MI cables with sufficient length to reach the depths and distances needed to heat the subsurface efficiently and to join segments with different functions, such as lead-in cables joined to heater sections. Such long heaters also require higher voltages to provide enough power to the farthest ends of the heaters.

**[0011]** Conventional MI cable splice designs are typically not suitable for voltages above 1000 volts, above 1500 volts, or above 2000 volts and may not operate for extended periods without failure at elevated temperatures, such as over 650° C. (about 1200° F.), over 700° C. (about 1290° F.), or over 800° C. (about 1470° F.). Such high voltage, high temperature applications typically require the compaction of the mineral insulant in the splice to be as close as possible to or above the level of compaction in the insulated conductor (MI cable) itself.

**[0012]** The relatively large outside diameter and long length of MI cables for some applications requires that the cables be spliced while oriented horizontally. There are splices for other applications of MI cables that have been fabricated horizontally. These techniques typically use a small hole through which the mineral insulation (such as magnesium oxide powder) is filled into the splice and compacted slightly through vibration and tamping. Such methods do not provide sufficient compaction of the mineral insulation or even allow any compaction of the mineral insulation, and are not suitable for making splices for use at the high voltages needed for these subsurface applications.

**[0013]** Thus, there is a need for splices of insulated conductors that are simple yet can operate at the high voltages and temperatures in the subsurface environment over long durations without failure. In addition, the splices may need higher bending and tensile strengths to inhibit failure of the splice under the weight loads and temperatures that the cables can be subjected to in the subsurface. Techniques and methods also may be utilized to reduce electric field intensities in the

splices so that leakage currents in the splices are reduced and to increase the margin between the operating voltage and electrical breakdown. Reducing electric field intensities may help increase voltage and temperature operating ranges of the splices.

**[0014]** In addition, there may be problems with increased stress on the insulated conductors during assembly and/or installation into the subsurface of the insulated conductors. For example, winding and unwinding of the insulated conductors on spools used for transport and installation of the insulated conductors may lead to mechanical stress on the electrical insulators and/or other components in the insulated conductors. Thus, more reliable systems and methods are needed to reduce or eliminate potential problems during manufacture, assembly, and/or installation of insulated conductors.

#### SUMMARY

**[0015]** Embodiments described herein generally relate to systems, methods, and heaters for treating a subsurface formation. Embodiments described herein also generally relate to heaters that have novel components therein. Such heaters can be obtained by using the systems and methods described herein.

**[0016]** In certain embodiments, the invention provides one or more systems, methods, and/or heaters. In some embodiments, the systems, methods, and/or heaters are used for treating a subsurface formation.

**[0017]** In certain embodiments, a method for coupling ends of cores of three insulated conductors includes: placing an end termination over end portions of the three insulated conductors, wherein the end termination comprises three separate openings that pass through the end termination longitudinally, each of the insulated conductors passing through one of the openings with end portions of the insulated conductors protruding from one side of the end termination; exposing cores of the end portions of the insulated conductors protruding from the end termination by removing jackets and electrical insulation from the end portions; coupling the ends of the jackets of the insulated conductors to the end termination; coupling a cylinder to the side of the end termination from which the end portions of the insulated conductors protrude; filling the cylinder with electrically insulating material such that at least a portion of the cores remain exposed; coupling an electrical bus to the exposed portion of the cores; filling the cylinder with electrically insulating material such that the cores are substantially enclosed in the electrically insulating material; and coupling an end cap to the cylinder to seal off the interior of the cylinder.

**[0018]** In certain embodiments, a fitting for coupling ends of cores of three insulated conductors includes: an end termination placed over end portions of the three insulated conductors, wherein the end termination comprises three separate openings that pass through the end termination longitudinally, each of the insulated conductors passing through one of the openings with end portions of the insulated conductors protruding from one side of the end termination, exposed cores of the end portions of the insulated conductors protruding from the end termination; a cylinder coupled to the side of the end termination from which the end portions of the insulated conductors protrude; an electrical bus coupled to the exposed portion of the cores; electrically insulating material filling the cylinder such that the cores are substantially

enclosed in the electrically insulating material; and an end cap coupled to the cylinder to seal off the interior of the cylinder.

**[0019]** In certain embodiments, a method for converting a three-phase heater with a ground-faulted leg to single-phase operation using a three-phase power supply includes: placing a resistor between a neutral of the power supply and the ground-faulted leg of the three-phase heater such that little or no current flows through the ground-faulted leg, wherein the resistor is in series with the ground-faulted leg; providing electrical power to the remaining two legs of the heater from the power supply such that the two legs operate as a single phase heater with current running into the formation through one leg and returning on the other leg, wherein the two legs are coupled in the subsurface using a fitting having: an end termination placed over end portions of the three insulated conductors, wherein the end termination comprises three separate openings that pass through the end termination longitudinally, each of the insulated conductors passing through one of the openings with end portions of the insulated conductors protruding from one side of the end termination, exposed cores of the end portions of the insulated conductors protruding from the end termination; a cylinder coupled to the side of the end termination from which the end portions of the insulated conductors protrude; an electrical bus coupled to the exposed portion of the cores; electrically insulating material filling the cylinder such that the cores are substantially enclosed in the electrically insulating material; and an end cap coupled to the cylinder to seal off the interior of the cylinder.

**[0020]** In further embodiments, features from specific embodiments may be combined with features from other embodiments. For example, features from one embodiment may be combined with features from any of the other embodiments.

**[0021]** In further embodiments, treating a subsurface formation is performed using any of the methods, systems, power supplies, or heaters described herein.

**[0022]** In further embodiments, additional features may be added to the specific embodiments described herein.

#### BRIEF DESCRIPTION OF THE DRAWINGS

**[0023]** Features and advantages of the methods and apparatus of the present invention will be more fully appreciated by reference to the following detailed description of presently preferred but nonetheless illustrative embodiments in accordance with the present invention when taken in conjunction with the accompanying drawings.

**[0024]** FIG. 1 shows a schematic view of an embodiment of a portion of an in situ heat treatment system for treating a hydrocarbon containing formation.

**[0025]** FIG. 2 depicts an embodiment of an insulated conductor heat source.

**[0026]** FIG. 3 depicts an embodiment of an insulated conductor heat source.

**[0027]** FIG. 4 depicts an embodiment of an insulated conductor heat source.

**[0028]** FIG. 5 depicts a side view cross-sectional representation of one embodiment of a fitting for joining insulated conductors.

**[0029]** FIG. 6 depicts an embodiment of a cutting tool.

**[0030]** FIG. 7 depicts a side view cross-sectional representation of another embodiment of a fitting for joining insulated conductors.

[0031] FIG. 8A depicts a side view of a cross-sectional representation of an embodiment of a threaded fitting for coupling three insulated conductors.

[0032] FIG. 8B depicts a side view of a cross-sectional representation of an embodiment of a welded fitting for coupling three insulated conductors.

[0033] FIG. 9 depicts an embodiment of a torque tool.

[0034] FIG. 10 depicts an embodiment of a clamp assembly that may be used to compact mechanically a fitting for joining insulated conductors.

[0035] FIG. 11 depicts an exploded view of an embodiment of a hydraulic compaction machine.

[0036] FIG. 12 depicts a representation of an embodiment of an assembled hydraulic compaction machine.

[0037] FIG. 13 depicts an embodiment of a fitting and insulated conductors secured in clamp assemblies before compaction of the fitting and insulated conductors.

[0038] FIG. 14 depicts a side view representation of yet another embodiment of a fitting for joining insulated conductors.

[0039] FIG. 15 depicts a side view representation of an embodiment of a fitting with an opening covered with an insert.

[0040] FIG. 16 depicts an embodiment of a fitting with electric field reducing features between the jackets of the insulated conductors and the sleeves and at the ends of the insulated conductors.

[0041] FIG. 17 depicts an embodiment of an electric field stress reducer.

[0042] FIG. 18 depicts a cross-sectional representation of a fitting as insulated conductors are being moved into the fitting.

[0043] FIG. 19 depicts a cross-sectional representation of a fitting with insulated conductors joined inside the fitting.

[0044] FIG. 20 depicts a cross-sectional representation of yet another embodiment of a fitting as insulated conductors are being moved into the fitting.

[0045] FIG. 21 depicts a cross-sectional representation of yet another embodiment of a fitting with insulated conductors joined inside the fitting.

[0046] FIG. 22 depicts an embodiment of blocks of electrically insulating material in position around cores of joined insulated conductors.

[0047] FIG. 23 depicts an embodiment of four blocks of electrically insulating material in position surrounding the cores of joined insulated conductors.

[0048] FIG. 24 depicts an embodiment of an inner sleeve placed over joined insulated conductors.

[0049] FIG. 25 depicts an embodiment of an outer sleeve placed over an inner sleeve and joined insulated conductors.

[0050] FIG. 26 depicts an embodiment of a chamfered end of an insulated conductor after compression.

[0051] FIG. 27 depicts an embodiment of a first half of a compaction device to be used for compaction of electrically insulating material at a coupling of insulated conductors.

[0052] FIG. 28 depicts an embodiment of a device coupled together around insulated conductors.

[0053] FIG. 29 depicts a side view of an insulated conductor inside a device with a first plunger in position above the insulated conductor with exposed core.

[0054] FIG. 30 depicts a side view of an insulated conductor inside a device with a second plunger in position above the insulated conductor with exposed core.

[0055] FIGS. 31A-D depict other embodiments of a second plunger.

[0056] FIG. 32 depicts an embodiment with the second half of a device removed to leave the first half and electrically insulating material compacted around the coupling between insulated conductors.

[0057] FIG. 33 depicts an embodiment of electrically insulating material shaped around the coupling between insulated conductors.

[0058] FIG. 34 depicts an embodiment of a sleeve placed over electrically insulating material.

[0059] FIG. 35 depicts a representation of an embodiment of a hydraulic press machine that may be used to apply force to a plunger to hydraulically compact electrically insulating material inside a device.

[0060] FIG. 36 depicts an embodiment of a sleeve that is used in circumferential mechanical compression.

[0061] FIG. 37 depicts an embodiment of a sleeve on insulated conductors after the sleeve and ribs have been circumferentially compressed.

[0062] FIG. 38 depicts an embodiment of reinforcement sleeves on joined insulated conductors.

[0063] FIG. 39 depicts an exploded view of another embodiment of a fitting used for coupling three insulated conductors.

[0064] FIGS. 40-47 depict an embodiment of a method for installation of a fitting onto ends of insulated conductors.

[0065] FIG. 48 depicts an embodiment of a compaction tool that can be used to compact electrically insulating material.

[0066] FIG. 49 depicts an embodiment of another compaction tool that can be used to compact electrically insulating material.

[0067] FIG. 50 depicts an embodiment of a compaction tool that can be used for the final compaction of electrically insulating material.

[0068] While the invention is susceptible to various modifications and alternative forms, specific embodiments thereof are shown by way of example in the drawings and will herein be described in detail. The drawings may not be to scale. It should be understood that the drawings and detailed description thereto are not intended to limit the invention to the particular form disclosed, but to the contrary, the intention is to cover all modifications, equivalents and alternatives falling within the spirit and scope of the present invention as defined by the appended claims.

#### DETAILED DESCRIPTION

[0069] The following description generally relates to systems and methods for treating hydrocarbons in the formations. Such formations may be treated to yield hydrocarbon products, hydrogen, and other products.

[0070] “Alternating current (AC)” refers to a time-varying current that reverses direction substantially sinusoidally. AC produces skin effect electricity flow in a ferromagnetic conductor.

[0071] “Coupled” means either a direct connection or an indirect connection (for example, one or more intervening connections) between one or more objects or components. The phrase “directly connected” means a direct connection between objects or components such that the objects or components are connected directly to each other so that the objects or components operate in a “point of use” manner.

[0072] A “formation” includes one or more hydrocarbon containing layers, one or more non-hydrocarbon layers, an

overburden, and/or an underburden. "Hydrocarbon layers" refer to layers in the formation that contain hydrocarbons. The hydrocarbon layers may contain non-hydrocarbon material and hydrocarbon material. The "overburden" and/or the "underburden" include one or more different types of impermeable materials. For example, the overburden and/or underburden may include rock, shale, mudstone, or wet/tight carbonate. In some embodiments of in situ heat treatment processes, the overburden and/or the underburden may include a hydrocarbon containing layer or hydrocarbon containing layers that are relatively impermeable and are not subjected to temperatures during in situ heat treatment processing that result in significant characteristic changes of the hydrocarbon containing layers of the overburden and/or the underburden. For example, the underburden may contain shale or mudstone, but the underburden is not allowed to heat to pyrolysis temperatures during the in situ heat treatment process. In some cases, the overburden and/or the underburden may be somewhat permeable.

**[0073]** "Formation fluids" refer to fluids present in a formation and may include pyrolyzation fluid, synthesis gas, mobilized hydrocarbons, and water (steam). Formation fluids may include hydrocarbon fluids as well as non-hydrocarbon fluids. The term "mobilized fluid" refers to fluids in a hydrocarbon containing formation that are able to flow as a result of thermal treatment of the formation. "Produced fluids" refer to fluids removed from the formation.

**[0074]** A "heat source" is any system for providing heat to at least a portion of a formation substantially by conductive and/or radiative heat transfer. For example, a heat source may include electrically conducting materials and/or electric heaters such as an insulated conductor, an elongated member, and/or a conductor disposed in a conduit. A heat source may also include systems that generate heat by burning a fuel external to or in a formation. The systems may be surface burners, downhole gas burners, flameless distributed combustors, and natural distributed combustors. In some embodiments, heat provided to or generated in one or more heat sources may be supplied by other sources of energy. The other sources of energy may directly heat a formation, or the energy may be applied to a transfer medium that directly or indirectly heats the formation. It is to be understood that one or more heat sources that are applying heat to a formation may use different sources of energy. Thus, for example, for a given formation some heat sources may supply heat from electrically conducting materials, electric resistance heaters, some heat sources may provide heat from combustion, and some heat sources may provide heat from one or more other energy sources (for example, chemical reactions, solar energy, wind energy, biomass, or other sources of renewable energy). A chemical reaction may include an exothermic reaction (for example, an oxidation reaction). A heat source may also include an electrically conducting material and/or a heater that provides heat to a zone proximate and/or surrounding a heating location such as a heater well.

**[0075]** A "heater" is any system or heat source for generating heat in a well or a near wellbore region. Heaters may be, but are not limited to, electric heaters, burners, combustors that react with material in or produced from a formation, and/or combinations thereof.

**[0076]** "Hydrocarbons" are generally defined as molecules formed primarily by carbon and hydrogen atoms. Hydrocarbons may also include other elements such as, but not limited to, halogens, metallic elements, nitrogen, oxygen, and/or sul-

fur. Hydrocarbons may be, but are not limited to, kerogen, bitumen, pyrobitumen, oils, natural mineral waxes, and asphaltites. Hydrocarbons may be located in or adjacent to mineral matrices in the earth. Matrices may include, but are not limited to, sedimentary rock, sands, silicilytes, carbonates, diatomites, and other porous media. "Hydrocarbon fluids" are fluids that include hydrocarbons. Hydrocarbon fluids may include, entrain, or be entrained in non-hydrocarbon fluids such as hydrogen, nitrogen, carbon monoxide, carbon dioxide, hydrogen sulfide, water, and ammonia.

**[0077]** An "in situ conversion process" refers to a process of heating a hydrocarbon containing formation from heat sources to raise the temperature of at least a portion of the formation above a pyrolysis temperature so that pyrolyzation fluid is produced in the formation.

**[0078]** An "in situ heat treatment process" refers to a process of heating a hydrocarbon containing formation with heat sources to raise the temperature of at least a portion of the formation above a temperature that results in mobilized fluid, visbreaking, and/or pyrolysis of hydrocarbon containing material so that mobilized fluids, visbroken fluids, and/or pyrolyzation fluids are produced in the formation.

**[0079]** "Insulated conductor" refers to any elongated material that is able to conduct electricity and that is covered, in whole or in part, by an electrically insulating material.

**[0080]** "Nitride" refers to a compound of nitrogen and one or more other elements of the Periodic Table. Nitrides include, but are not limited to, silicon nitride, boron nitride, or alumina nitride.

**[0081]** "Perforations" include openings, slits, apertures, or holes in a wall of a conduit, tubular, pipe or other flow pathway that allow flow into or out of the conduit, tubular, pipe or other flow pathway.

**[0082]** "Pyrolysis" is the breaking of chemical bonds due to the application of heat. For example, pyrolysis may include transforming a compound into one or more other substances by heat alone. Heat may be transferred to a section of the formation to cause pyrolysis.

**[0083]** "Pyrolyzation fluids" or "pyrolysis products" refers to fluid produced substantially during pyrolysis of hydrocarbons. Fluid produced by pyrolysis reactions may mix with other fluids in a formation. The mixture would be considered pyrolyzation fluid or pyrolyzation product. As used herein, "pyrolysis zone" refers to a volume of a formation (for example, a relatively permeable formation such as a tar sands formation) that is reacted or reacting to form a pyrolyzation fluid.

**[0084]** "Thickness" of a layer refers to the thickness of a cross section of the layer, wherein the cross section is normal to a face of the layer.

**[0085]** The term "wellbore" refers to a hole in a formation made by drilling or insertion of a conduit into the formation. A wellbore may have a substantially circular cross section, or another cross-sectional shape. As used herein, the terms "well" and "opening," when referring to an opening in the formation may be used interchangeably with the term "wellbore."

**[0086]** A formation may be treated in various ways to produce many different products. Different stages or processes may be used to treat the formation during an in situ heat treatment process. In some embodiments, one or more sections of the formation are solution mined to remove soluble minerals from the sections. Solution mining minerals may be performed before, during, and/or after the in situ heat treat-

ment process. In some embodiments, the average temperature of one or more sections being solution mined may be maintained below about 120° C.

**[0087]** In some embodiments, one or more sections of the formation are heated to remove water from the sections and/or to remove methane and other volatile hydrocarbons from the sections. In some embodiments, the average temperature may be raised from ambient temperature to temperatures below about 220° C. during removal of water and volatile hydrocarbons.

**[0088]** In some embodiments, one or more sections of the formation are heated to temperatures that allow for movement and/or visbreaking of hydrocarbons in the formation. In some embodiments, the average temperature of one or more sections of the formation are raised to mobilization temperatures of hydrocarbons in the sections (for example, to temperatures ranging from 100° C. to 250° C., from 120° C. to 240° C., or from 150° C. to 230° C.).

**[0089]** In some embodiments, one or more sections are heated to temperatures that allow for pyrolysis reactions in the formation. In some embodiments, the average temperature of one or more sections of the formation may be raised to pyrolysis temperatures of hydrocarbons in the sections (for example, temperatures ranging from 230° C. to 900° C., from 240° C. to 400° C. or from 250° C. to 350° C.).

**[0090]** Heating the hydrocarbon containing formation with a plurality of heat sources may establish thermal gradients around the heat sources that raise the temperature of hydrocarbons in the formation to desired temperatures at desired heating rates. The rate of temperature increase through the mobilization temperature range and/or the pyrolysis temperature range for desired products may affect the quality and quantity of the formation fluids produced from the hydrocarbon containing formation. Slowly raising the temperature of the formation through the mobilization temperature range and/or pyrolysis temperature range may allow for the production of high quality, high API gravity hydrocarbons from the formation. Slowly raising the temperature of the formation through the mobilization temperature range and/or pyrolysis temperature range may allow for the removal of a large amount of the hydrocarbons present in the formation as hydrocarbon product.

**[0091]** In some in situ heat treatment embodiments, a portion of the formation is heated to a desired temperature instead of slowly heating the temperature through a temperature range. In some embodiments, the desired temperature is 300° C., 325° C., or 350° C. Other temperatures may be selected as the desired temperature.

**[0092]** Superposition of heat from heat sources allows the desired temperature to be relatively quickly and efficiently established in the formation. Energy input into the formation from the heat sources may be adjusted to maintain the temperature in the formation substantially at a desired temperature.

**[0093]** Mobilization and/or pyrolysis products may be produced from the formation through production wells. In some embodiments, the average temperature of one or more sections is raised to mobilization temperatures and hydrocarbons are produced from the production wells. The average temperature of one or more of the sections may be raised to pyrolysis temperatures after production due to mobilization decreases below a selected value. In some embodiments, the average temperature of one or more sections may be raised to pyrolysis temperatures without significant production before

reaching pyrolysis temperatures. Formation fluids including pyrolysis products may be produced through the production wells.

**[0094]** In some embodiments, the average temperature of one or more sections may be raised to temperatures sufficient to allow synthesis gas production after mobilization and/or pyrolysis. In some embodiments, hydrocarbons may be raised to temperatures sufficient to allow synthesis gas production without significant production before reaching the temperatures sufficient to allow synthesis gas production. For example, synthesis gas may be produced in a temperature range from about 400° C. to about 1200° C., about 500° C. to about 1100° C., or about 550° C. to about 1000° C. A synthesis gas generating fluid (for example, steam and/or water) may be introduced into the sections to generate synthesis gas. Synthesis gas may be produced from production wells.

**[0095]** Solution mining, removal of volatile hydrocarbons and water, mobilizing hydrocarbons, pyrolyzing hydrocarbons, generating synthesis gas, and/or other processes may be performed during the in situ heat treatment process. In some embodiments, some processes may be performed after the in situ heat treatment process. Such processes may include, but are not limited to, recovering heat from treated sections, storing fluids (for example, water and/or hydrocarbons) in previously treated sections, and/or sequestering carbon dioxide in previously treated sections.

**[0096]** FIG. 1 depicts a schematic view of an embodiment of a portion of the in situ heat treatment system for treating the hydrocarbon containing formation. The in situ heat treatment system may include barrier wells **200**. Barrier wells are used to form a barrier around a treatment area. The barrier inhibits fluid flow into and/or out of the treatment area. Barrier wells include, but are not limited to, dewatering wells, vacuum wells, capture wells, injection wells, grout wells, freeze wells, or combinations thereof. In some embodiments, barrier wells **200** are dewatering wells. Dewatering wells may remove liquid water and/or inhibit liquid water from entering a portion of the formation to be heated, or to the formation being heated. In the embodiment depicted in FIG. 1, the barrier wells **200** are shown extending only along one side of heat sources **202**, but the barrier wells typically encircle all heat sources **202** used, or to be used, to heat a treatment area of the formation.

**[0097]** Heat sources **202** are placed in at least a portion of the formation. Heat sources **202** may include heaters such as insulated conductors, conductor-in-conduit heaters, surface burners, flameless distributed combustors, and/or natural distributed combustors. Heat sources **202** may also include other types of heaters. Heat sources **202** provide heat to at least a portion of the formation to heat hydrocarbons in the formation. Energy may be supplied to heat sources **202** through supply lines **204**. Supply lines **204** may be structurally different depending on the type of heat source or heat sources used to heat the formation. Supply lines **204** for heat sources may transmit electricity for electric heaters, may transport fuel for combustors, or may transport heat exchange fluid that is circulated in the formation. In some embodiments, electricity for an in situ heat treatment process may be provided by a nuclear power plant or nuclear power plants. The use of nuclear power may allow for reduction or elimination of carbon dioxide emissions from the in situ heat treatment process.

**[0098]** When the formation is heated, the heat input into the formation may cause expansion of the formation and geome-

chanical motion. The heat sources may be turned on before, at the same time, or during a dewatering process. Computer simulations may model formation response to heating. The computer simulations may be used to develop a pattern and time sequence for activating heat sources in the formation so that geomechanical motion of the formation does not adversely affect the functionality of heat sources, production wells, and other equipment in the formation.

**[0099]** Heating the formation may cause an increase in permeability and/or porosity of the formation. Increases in permeability and/or porosity may result from a reduction of mass in the formation due to vaporization and removal of water, removal of hydrocarbons, and/or creation of fractures. Fluid may flow more easily in the heated portion of the formation because of the increased permeability and/or porosity of the formation. Fluid in the heated portion of the formation may move a considerable distance through the formation because of the increased permeability and/or porosity. The considerable distance may be over 1000 m depending on various factors, such as permeability of the formation, properties of the fluid, temperature of the formation, and pressure gradient allowing movement of the fluid. The ability of fluid to travel considerable distance in the formation allows production wells **206** to be spaced relatively far apart in the formation.

**[0100]** Production wells **206** are used to remove formation fluid from the formation. In some embodiments, production well **206** includes a heat source. The heat source in the production well may heat one or more portions of the formation at or near the production well. In some in situ heat treatment process embodiments, the amount of heat supplied to the formation from the production well per meter of the production well is less than the amount of heat applied to the formation from a heat source that heats the formation per meter of the heat source. Heat applied to the formation from the production well may increase formation permeability adjacent to the production well by vaporizing and removing liquid phase fluid adjacent to the production well and/or by increasing the permeability of the formation adjacent to the production well by formation of macro and/or micro fractures.

**[0101]** More than one heat source may be positioned in the production well. A heat source in a lower portion of the production well may be turned off when superposition of heat from adjacent heat sources heats the formation sufficiently to counteract benefits provided by heating the formation with the production well. In some embodiments, the heat source in an upper portion of the production well may remain on after the heat source in the lower portion of the production well is deactivated. The heat source in the upper portion of the well may inhibit condensation and reflux of formation fluid.

**[0102]** In some embodiments, the heat source in production well **206** allows for vapor phase removal of formation fluids from the formation. Providing heating at or through the production well may: (1) inhibit condensation and/or refluxing of production fluid when such production fluid is moving in the production well proximate the overburden, (2) increase heat input into the formation, (3) increase production rate from the production well as compared to a production well without a heat source, (4) inhibit condensation of high carbon number compounds (C6 hydrocarbons and above) in the production well, and/or (5) increase formation permeability at or proximate the production well.

**[0103]** Subsurface pressure in the formation may correspond to the fluid pressure generated in the formation. As

temperatures in the heated portion of the formation increase, the pressure in the heated portion may increase as a result of thermal expansion of in situ fluids, increased fluid generation and vaporization of water. Controlling rate of fluid removal from the formation may allow for control of pressure in the formation. Pressure in the formation may be determined at a number of different locations, such as near or at production wells, near or at heat sources, or at monitor wells.

**[0104]** In some hydrocarbon containing formations, production of hydrocarbons from the formation is inhibited until at least some hydrocarbons in the formation have been mobilized and/or pyrolyzed. Formation fluid may be produced from the formation when the formation fluid is of a selected quality. In some embodiments, the selected quality includes an API gravity of at least about 20°, 30°, or 40°. Inhibiting production until at least some hydrocarbons are mobilized and/or pyrolyzed may increase conversion of heavy hydrocarbons to light hydrocarbons. Inhibiting initial production may minimize the production of heavy hydrocarbons from the formation. Production of substantial amounts of heavy hydrocarbons may require expensive equipment and/or reduce the life of production equipment.

**[0105]** In some hydrocarbon containing formations, hydrocarbons in the formation may be heated to mobilization and/or pyrolysis temperatures before substantial permeability has been generated in the heated portion of the formation. An initial lack of permeability may inhibit the transport of generated fluids to production wells **206**. During initial heating, fluid pressure in the formation may increase proximate heat sources **202**. The increased fluid pressure may be released, monitored, altered, and/or controlled through one or more heat sources **202**. For example, selected heat sources **202** or separate pressure relief wells may include pressure relief valves that allow for removal of some fluid from the formation.

**[0106]** In some embodiments, pressure generated by expansion of mobilized fluids, pyrolysis fluids or other fluids generated in the formation may be allowed to increase although an open path to production wells **206** or any other pressure sink may not yet exist in the formation. The fluid pressure may be allowed to increase towards a lithostatic pressure. Fractures in the hydrocarbon containing formation may form when the fluid approaches the lithostatic pressure. For example, fractures may form from heat sources **202** to production wells **206** in the heated portion of the formation. The generation of fractures in the heated portion may relieve some of the pressure in the portion. Pressure in the formation may have to be maintained below a selected pressure to inhibit unwanted production, fracturing of the overburden or underburden, and/or coking of hydrocarbons in the formation.

**[0107]** After mobilization and/or pyrolysis temperatures are reached and production from the formation is allowed, pressure in the formation may be varied to alter and/or control a composition of formation fluid produced, to control a percentage of condensable fluid as compared to non-condensable fluid in the formation fluid, and/or to control an API gravity of formation fluid being produced. For example, decreasing pressure may result in production of a larger condensable fluid component. The condensable fluid component may contain a larger percentage of olefins.

**[0108]** In some in situ heat treatment process embodiments, pressure in the formation may be maintained high enough to promote production of formation fluid with an API gravity of



greater than 20°. Maintaining increased pressure in the formation may inhibit formation subsidence during in situ heat treatment. Maintaining increased pressure may reduce or eliminate the need to compress formation fluids at the surface to transport the fluids in collection conduits to treatment facilities.

**[0109]** Maintaining increased pressure in a heated portion of the formation may surprisingly allow for production of large quantities of hydrocarbons of increased quality and of relatively low molecular weight. Pressure may be maintained so that formation fluid produced has a minimal amount of compounds above a selected carbon number. The selected carbon number may be at most 25, at most 20, at most 12, or at most 8. Some high carbon number compounds may be entrained in vapor in the formation and may be removed from the formation with the vapor. Maintaining increased pressure in the formation may inhibit entrainment of high carbon number compounds and/or multi-ring hydrocarbon compounds in the vapor. High carbon number compounds and/or multi-ring hydrocarbon compounds may remain in a liquid phase in the formation for significant time periods. The significant time periods may provide sufficient time for the compounds to pyrolyze to form lower carbon number compounds.

**[0110]** Generation of relatively low molecular weight hydrocarbons is believed to be due, in part, to autogenous generation and reaction of hydrogen in a portion of the hydrocarbon containing formation. For example, maintaining an increased pressure may force hydrogen generated during pyrolysis into the liquid phase within the formation. Heating the portion to a temperature in a pyrolysis temperature range may pyrolyze hydrocarbons in the formation to generate liquid phase pyrolyzation fluids. The generated liquid phase pyrolyzation fluids components may include double bonds and/or radicals. Hydrogen (H<sub>2</sub>) in the liquid phase may reduce double bonds of the generated pyrolyzation fluids, thereby reducing a potential for polymerization or formation of long chain compounds from the generated pyrolyzation fluids. In addition, H<sub>2</sub> may also neutralize radicals in the generated pyrolyzation fluids. H<sub>2</sub> in the liquid phase may inhibit the generated pyrolyzation fluids from reacting with each other and/or with other compounds in the formation.

**[0111]** Formation fluid produced from production wells **206** may be transported through collection piping **208** to treatment facilities **210**. Formation fluids may also be produced from heat sources **202**. For example, fluid may be produced from heat sources **202** to control pressure in the formation adjacent to the heat sources. Fluid produced from heat sources **202** may be transported through tubing or piping to collection piping **208** or the produced fluid may be transported through tubing or piping directly to treatment facilities **210**. Treatment facilities **210** may include separation units, reaction units, upgrading units, fuel cells, turbines, storage vessels, and/or other systems and units for processing produced formation fluids. The treatment facilities may form transportation fuel from at least a portion of the hydrocarbons produced from the formation. In some embodiments, the transportation fuel may be jet fuel, such as JP-8.

**[0112]** An insulated conductor may be used as an electric heater element of a heater or a heat source. The insulated conductor may include an inner electrical conductor (core) surrounded by an electrical insulator and an outer electrical conductor (jacket). The electrical insulator may include mineral insulation (for example, magnesium oxide) or other electrical insulation.

**[0113]** In certain embodiments, the insulated conductor is placed in an opening in a hydrocarbon containing formation. In some embodiments, the insulated conductor is placed in an uncased opening in the hydrocarbon containing formation. Placing the insulated conductor in an uncased opening in the hydrocarbon containing formation may allow heat transfer from the insulated conductor to the formation by radiation as well as conduction. Using an uncased opening may facilitate retrieval of the insulated conductor from the well, if necessary.

**[0114]** In some embodiments, an insulated conductor is placed within a casing in the formation; may be cemented within the formation; or may be packed in an opening with sand, gravel, or other fill material. The insulated conductor may be supported on a support member positioned within the opening. The support member may be a cable, rod, or a conduit (for example, a pipe). The support member may be made of a metal, ceramic, inorganic material, or combinations thereof. Because portions of a support member may be exposed to formation fluids and heat during use, the support member may be chemically resistant and/or thermally resistant.

**[0115]** Ties, spot welds, and/or other types of connectors may be used to couple the insulated conductor to the support member at various locations along a length of the insulated conductor. The support member may be attached to a wellhead at an upper surface of the formation. In some embodiments, the insulated conductor has sufficient structural strength such that a support member is not needed. The insulated conductor may, in many instances, have at least some flexibility to inhibit thermal expansion damage when undergoing temperature changes.

**[0116]** In certain embodiments, insulated conductors are placed in wellbores without support members and/or centralizers. An insulated conductor without support members and/or centralizers may have a suitable combination of temperature and corrosion resistance, creep strength, length, thickness (diameter), and metallurgy that will inhibit failure of the insulated conductor during use.

**[0117]** FIG. 2 depicts a perspective view of an end portion of an embodiment of insulated conductor **212**. Insulated conductor **212** may have any desired cross-sectional shape such as, but not limited to, round (depicted in FIG. 2), triangular, ellipsoidal, rectangular, hexagonal, or irregular. In certain embodiments, insulated conductor **212** includes core **214**, electrical insulator **216**, and jacket **218**. Core **214** may resistively heat when an electrical current passes through the core. Alternating or time-varying current and/or direct current may be used to provide power to core **214** such that the core resistively heats.

**[0118]** In some embodiments, electrical insulator **216** inhibits current leakage and arcing to jacket **218**. Electrical insulator **216** may thermally conduct heat generated in core **214** to jacket **218**. Jacket **218** may radiate or conduct heat to the formation. In certain embodiments, insulated conductor **212** is 1000 m or more in length. Longer or shorter insulated conductors may also be used to meet specific application needs. The dimensions of core **214**, electrical insulator **216**, and jacket **218** of insulated conductor **212** may be selected such that the insulated conductor has enough strength to be self supporting even at upper working temperature limits. Such insulated conductors may be suspended from wellheads or supports positioned near an interface between an overburden and a hydrocarbon containing formation without the need

for support members extending into the hydrocarbon containing formation along with the insulated conductors.

[0119] Insulated conductor **212** may be designed to operate at power levels of up to about 1650 watts/meter or higher. In certain embodiments, insulated conductor **212** operates at a power level between about 500 watts/meter and about 1150 watts/meter when heating a formation. Insulated conductor **212** may be designed so that a maximum voltage level at a typical operating temperature does not cause substantial thermal and/or electrical breakdown of electrical insulator **216**. Insulated conductor **212** may be designed such that jacket **218** does not exceed a temperature that will result in a significant reduction in corrosion resistance properties of the jacket material. In certain embodiments, insulated conductor **212** may be designed to reach temperatures within a range between about 650° C. and about 900° C. Insulated conductors having other operating ranges may be formed to meet specific operational requirements.

[0120] FIG. 2 depicts insulated conductor **212** having a single core **214**. In some embodiments, insulated conductor **212** has two or more cores **214**. For example, a single insulated conductor may have three cores. Core **214** may be made of metal or another electrically conductive material. The material used to form core **214** may include, but not be limited to, nichrome, copper, nickel, carbon steel, stainless steel, and combinations thereof. In certain embodiments, core **214** is chosen to have a diameter and a resistivity at operating temperatures such that its resistance, as derived from Ohm's law, makes it electrically and structurally stable for the chosen power dissipation per meter, the length of the heater, and/or the maximum voltage allowed for the core material.

[0121] In some embodiments, core **214** is made of different materials along a length of insulated conductor **212**. For example, a first section of core **214** may be made of a material that has a significantly lower resistance than a second section of the core. The first section may be placed adjacent to a formation layer that does not need to be heated to as high a temperature as a second formation layer that is adjacent to the second section. The resistivity of various sections of core **214** may be adjusted by having a variable diameter and/or by having core sections made of different materials.

[0122] Electrical insulator **216** may be made of a variety of materials. Commonly used powders may include, but are not limited to, MgO, Al<sub>2</sub>O<sub>3</sub>, Zirconia, BeO, different chemical variations of Spinel, and combinations thereof. MgO may provide good thermal conductivity and electrical insulation properties. The desired electrical insulation properties include low leakage current and high dielectric strength. A low leakage current decreases the possibility of thermal breakdown and the high dielectric strength decreases the possibility of arcing across the insulator. Thermal breakdown can occur if the leakage current causes a progressive rise in the temperature of the insulator leading also to arcing across the insulator.

[0123] Jacket **218** may be an outer metallic layer or electrically conductive layer. Jacket **218** may be in contact with hot formation fluids. Jacket **218** may be made of material having a high resistance to corrosion at elevated temperatures. Alloys that may be used in a desired operating temperature range of jacket **218** include, but are not limited to, 304 stainless steel, 310 stainless steel, Incoloy® 800, and Inconel® 600 (Inco Alloys International, Huntington, W. Va., U.S.A.). The thickness of jacket **218** may have to be sufficient to last for three to ten years in a hot and corrosive environ-

ment. A thickness of jacket **218** may generally vary between about 1 mm and about 2.5 mm. For example, a 1.3 mm thick, 310 stainless steel outer layer may be used as jacket **218** to provide good chemical resistance to sulfidation corrosion in a heated zone of a formation for a period of over 3 years. Larger or smaller jacket thicknesses may be used to meet specific application requirements.

[0124] One or more insulated conductors may be placed within an opening in a formation to form a heat source or heat sources. Electrical current may be passed through each insulated conductor in the opening to heat the formation. Alternately, electrical current may be passed through selected insulated conductors in an opening. The unused conductors may be used as backup heaters. Insulated conductors may be electrically coupled to a power source in any convenient manner. Each end of an insulated conductor may be coupled to lead-in cables that pass through a wellhead. Such a configuration typically has a 180° bend (a "hairpin" bend) or turn located near a bottom of the heat source. An insulated conductor that includes a 180° bend or turn may not require a bottom termination, but the 180° bend or turn may be an electrical and/or structural weakness in the heater. Insulated conductors may be electrically coupled together in series, in parallel, or in series and parallel combinations. In some embodiments of heat sources, electrical current may pass into the conductor of an insulated conductor and may be returned through the jacket of the insulated conductor by connecting core **214** to jacket **218** (shown in FIG. 2) at the bottom of the heat source.

[0125] In some embodiments, three insulated conductors **212** are electrically coupled in a 3-phase wye configuration to a power supply. FIG. 3 depicts an embodiment of three insulated conductors in an opening in a subsurface formation coupled in a wye configuration. FIG. 4 depicts an embodiment of three insulated conductors **212** that are removable from opening **220** in the formation. No bottom connection may be required for three insulated conductors in a wye configuration. Alternately, all three insulated conductors of the wye configuration may be connected together near the bottom of the opening. The connection may be made directly at ends of heating sections of the insulated conductors or at ends of cold pins (less resistive sections) coupled to the heating sections at the bottom of the insulated conductors. The bottom connections may be made with insulator filled and sealed canisters or with epoxy filled canisters. The insulator may be the same composition as the insulator used as the electrical insulation.

[0126] Three insulated conductors **212** depicted in FIGS. 3 and 4 may be coupled to support member **222** using centralizers **224**. Alternatively, insulated conductors **212** may be strapped directly to support member **222** using metal straps. Centralizers **224** may maintain a location and/or inhibit movement of insulated conductors **212** on support member **222**. Centralizers **224** may be made of metal, ceramic, or combinations thereof. The metal may be stainless steel or any other type of metal able to withstand a corrosive and high temperature environment. In some embodiments, centralizers **224** are bowed metal strips welded to the support member at distances less than about 6 m. A ceramic used in centralizer **224** may be, but is not limited to, Al<sub>2</sub>O<sub>3</sub>, MgO, or another electrical insulator. Centralizers **224** may maintain a location of insulated conductors **212** on support member **222** such that movement of insulated conductors is inhibited at operating temperatures of the insulated conductors. Insulated conduc-

tors **212** may also be somewhat flexible to withstand expansion of support member **222** during heating.

[0127] Support member **222**, insulated conductor **212**, and centralizers **224** may be placed in opening **220** in hydrocarbon layer **226**. Insulated conductors **212** may be coupled to bottom conductor junction **228** using cold pin **230**. Bottom conductor junction **228** may electrically couple each insulated conductor **212** to each other. Bottom conductor junction **228** may include materials that are electrically conducting and do not melt at temperatures found in opening **220**. Cold pin **230** may be an insulated conductor having lower electrical resistance than insulated conductor **212**.

[0128] Lead-in conductor **232** may be coupled to wellhead **234** to provide electrical power to insulated conductor **212**. Lead-in conductor **232** may be made of a relatively low electrical resistance conductor such that relatively little heat is generated from electrical current passing through the lead-in conductor. In some embodiments, the lead-in conductor is a rubber or polymer insulated stranded copper wire. In some embodiments, the lead-in conductor is a mineral insulated conductor with a copper core. Lead-in conductor **232** may couple to wellhead **234** at surface **236** through a sealing flange located between overburden **238** and surface **236**. The sealing flange may inhibit fluid from escaping from opening **220** to surface **236**.

[0129] In certain embodiments, lead-in conductor **232** is coupled to insulated conductor **212** using transition conductor **240**. Transition conductor **240** may be a less resistive portion of insulated conductor **212**. Transition conductor **240** may be referred to as "cold pin" of insulated conductor **212**. Transition conductor **240** may be designed to dissipate about one-tenth to about one-fifth of the power per unit length as is dissipated in a unit length of the primary heating section of insulated conductor **212**. Transition conductor **240** may typically be between about 1.5 m and about 15 m, although shorter or longer lengths may be used to accommodate specific application needs. In an embodiment, the conductor of transition conductor **240** is copper. The electrical insulator of transition conductor **240** may be the same type of electrical insulator used in the primary heating section. A jacket of transition conductor **240** may be made of corrosion resistant material.

[0130] In certain embodiments, transition conductor **240** is coupled to lead-in conductor **232** by a splice or other coupling joint. Splices may also be used to couple transition conductor **240** to insulated conductor **212**. Splices may have to withstand a temperature equal to half of a target zone operating temperature. Density of electrical insulation in the splice should in many instances be high enough to withstand the required temperature and the operating voltage.

[0131] In some embodiments, as shown in FIG. 3, packing material **242** is placed between overburden casing **244** and opening **220**. In some embodiments, reinforcing material **246** may secure overburden casing **244** to overburden **238**. Packing material **242** may inhibit fluid from flowing from opening **220** to surface **236**. Reinforcing material **246** may include, for example, Class G or Class H Portland cement mixed with silica flour for improved high temperature performance, slag or silica flour, and/or a mixture thereof. In some embodiments, reinforcing material **246** extends radially a width of from about 5 cm to about 25 cm.

[0132] As shown in FIGS. 3 and 4, support member **222** and lead-in conductor **232** may be coupled to wellhead **234** at surface **236** of the formation. Surface conductor **248** may

enclose reinforcing material **246** and couple to wellhead **234**. Embodiments of surface conductors may extend to depths of approximately 3 m to approximately 515 m into an opening in the formation. Alternatively, the surface conductor may extend to a depth of approximately 9 m into the formation. Electrical current may be supplied from a power source to insulated conductor **212** to generate heat due to the electrical resistance of the insulated conductor. Heat generated from three insulated conductors **212** may transfer within opening **220** to heat at least a portion of hydrocarbon layer **226**.

[0133] Heat generated by insulated conductors **212** may heat at least a portion of a hydrocarbon containing formation. In some embodiments, heat is transferred to the formation substantially by radiation of the generated heat to the formation. Some heat may be transferred by conduction or convection of heat due to gases present in the opening. The opening may be an uncased opening, as shown in FIGS. 3 and 4. An uncased opening eliminates cost associated with thermally cementing the heater to the formation, costs associated with a casing, and/or costs of packing a heater within an opening. In addition, heat transfer by radiation is typically more efficient than by conduction, so the heaters may be operated at lower temperatures in an open wellbore. Conductive heat transfer during initial operation of a heat source may be enhanced by the addition of a gas in the opening. The gas may be maintained at a pressure up to about 27 bars absolute. The gas may include, but is not limited to, carbon dioxide and/or helium. An insulated conductor heater in an open wellbore may advantageously be free to expand or contract to accommodate thermal expansion and contraction. An insulated conductor heater may advantageously be removable or redeployable from an open wellbore.

[0134] In certain embodiments, an insulated conductor heater assembly is installed or removed using a spooling assembly. More than one spooling assembly may be used to install both the insulated conductor and a support member simultaneously. Alternatively, the support member may be installed using a coiled tubing unit. The heaters may be unspooled and connected to the support as the support is inserted into the well. The electric heater and the support member may be unspooled from the spooling assemblies. Spacers may be coupled to the support member and the heater along a length of the support member. Additional spooling assemblies may be used for additional electric heater elements.

[0135] Temperature limited heaters may be in configurations and/or may include materials that provide automatic temperature limiting properties for the heater at certain temperatures. Examples of temperature limited heaters may be found in U.S. Pat. No. 6,688,387 to Wellington et al.; U.S. Pat. No. 6,991,036 to Sumnu-Dindoruk et al.; U.S. Pat. No. 6,698,515 to Karanikas et al.; U.S. Pat. No. 6,880,633 to Wellington et al.; U.S. Pat. No. 6,782,947 to de Rouffignac et al.; U.S. Pat. No. 6,991,045 to Vinegar et al.; U.S. Pat. No. 7,073,578 to Vinegar et al.; U.S. Pat. No. 7,121,342 to Vinegar et al.; U.S. Pat. No. 7,320,364 to Fairbanks; U.S. Pat. No. 7,527,094 to McKinzie et al.; U.S. Pat. No. 7,584,789 to Mo et al.; U.S. Pat. No. 7,533,719 to Hinson et al.; and U.S. Pat. No. 7,562,707 to Miller; U.S. Patent Application Publication Nos. 2009-0071652 to Vinegar et al.; 2009-0189617 to Burns et al.; 2010-0071903 to Prince-Wright et al.; and 2010-0096137 to Nguyen et al., each of which is incorporated by reference as if fully set forth herein. Temperature limited heaters are dimensioned to operate with AC frequencies (for example, 60 Hz AC) or with modulated DC current.

**[0136]** In certain embodiments, ferromagnetic materials are used in temperature limited heaters. Ferromagnetic material may self-limit temperature at or near the Curie temperature of the material and/or the phase transformation temperature range to provide a reduced amount of heat when a time-varying current is applied to the material. In certain embodiments, the ferromagnetic material self-limits temperature of the temperature limited heater at a selected temperature that is approximately the Curie temperature and/or in the phase transformation temperature range. In certain embodiments, the selected temperature is within about 35° C., within about 25° C., within about 20° C., or within about 10° C. of the Curie temperature and/or the phase transformation temperature range. In certain embodiments, ferromagnetic materials are coupled with other materials (for example, highly conductive materials, high strength materials, corrosion resistant materials, or combinations thereof) to provide various electrical and/or mechanical properties. Some parts of the temperature limited heater may have a lower resistance (caused by different geometries and/or by using different ferromagnetic and/or non-ferromagnetic materials) than other parts of the temperature limited heater. Having parts of the temperature limited heater with various materials and/or dimensions allows for tailoring the desired heat output from each part of the heater.

**[0137]** Temperature limited heaters may be more reliable than other heaters. Temperature limited heaters may be less apt to break down or fail due to hot spots in the formation. In some embodiments, temperature limited heaters allow for substantially uniform heating of the formation. In some embodiments, temperature limited heaters are able to heat the formation more efficiently by operating at a higher average heat output along the entire length of the heater. The temperature limited heater operates at the higher average heat output along the entire length of the heater because power to the heater does not have to be reduced to the entire heater, as is the case with typical constant wattage heaters, if a temperature along any point of the heater exceeds, or is about to exceed, a maximum operating temperature of the heater. Heat output from portions of a temperature limited heater approaching a Curie temperature and/or the phase transformation temperature range of the heater automatically reduces without controlled adjustment of the time-varying current applied to the heater. The heat output automatically reduces due to changes in electrical properties (for example, electrical resistance) of portions of the temperature limited heater. Thus, more power is supplied by the temperature limited heater during a greater portion of a heating process.

**[0138]** In certain embodiments, the system including temperature limited heaters initially provides a first heat output and then provides a reduced (second heat output) heat output, near, at, or above the Curie temperature and/or the phase transformation temperature range of an electrically resistive portion of the heater when the temperature limited heater is energized by a time-varying current. The first heat output is the heat output at temperatures below which the temperature limited heater begins to self-limit. In some embodiments, the first heat output is the heat output at a temperature about 50° C., about 75° C., about 100° C., or about 125° C. below the Curie temperature and/or the phase transformation temperature range of the ferromagnetic material in the temperature limited heater.

**[0139]** The temperature limited heater may be energized by time-varying current (alternating current or modulated direct

current) supplied at the wellhead. The wellhead may include a power source and other components (for example, modulation components, transformers, and/or capacitors) used in supplying power to the temperature limited heater. The temperature limited heater may be one of many heaters used to heat a portion of the formation.

**[0140]** In certain embodiments, the temperature limited heater includes a conductor that operates as a skin effect or proximity effect heater when time-varying current is applied to the conductor. The skin effect limits the depth of current penetration into the interior of the conductor. For ferromagnetic materials, the skin effect is dominated by the magnetic permeability of the conductor. The relative magnetic permeability of ferromagnetic materials is typically between 10 and 1000 (for example, the relative magnetic permeability of ferromagnetic materials is typically at least 10 and may be at least 50, 100, 500, 1000 or greater). As the temperature of the ferromagnetic material is raised above the Curie temperature, or the phase transformation temperature range, and/or as the applied electrical current is increased, the magnetic permeability of the ferromagnetic material decreases substantially and the skin depth expands rapidly (for example, the skin depth expands as the inverse square root of the magnetic permeability). The reduction in magnetic permeability results in a decrease in the AC or modulated DC resistance of the conductor near, at, or above the Curie temperature, the phase transformation temperature range, and/or as the applied electrical current is increased. When the temperature limited heater is powered by a substantially constant current source, portions of the heater that approach, reach, or are above the Curie temperature and/or the phase transformation temperature range may have reduced heat dissipation. Sections of the temperature limited heater that are not at or near the Curie temperature and/or the phase transformation temperature range may be dominated by skin effect heating that allows the heater to have high heat dissipation due to a higher resistive load.

**[0141]** An advantage of using the temperature limited heater to heat hydrocarbons in the formation is that the conductor is chosen to have a Curie temperature and/or a phase transformation temperature range in a desired range of temperature operation. Operation within the desired operating temperature range allows substantial heat injection into the formation while maintaining the temperature of the temperature limited heater, and other equipment, below design limit temperatures. Design limit temperatures are temperatures at which properties such as corrosion, creep, and/or deformation are adversely affected. The temperature limiting properties of the temperature limited heater inhibit overheating or burnout of the heater adjacent to low thermal conductivity "hot spots" in the formation. In some embodiments, the temperature limited heater is able to lower or control heat output and/or withstand heat at temperatures above 25° C., 37° C., 100° C., 250° C., 500° C., 700° C., 800° C., 900° C., or higher up to 1131° C., depending on the materials used in the heater.

**[0142]** The temperature limited heater allows for more heat injection into the formation than constant wattage heaters because the energy input into the temperature limited heater does not have to be limited to accommodate low thermal conductivity regions adjacent to the heater. For example, in Green River oil shale there is a difference of at least a factor of 3 in the thermal conductivity of the lowest richness oil shale layers and the highest richness oil shale layers. When heating such a formation, substantially more heat is trans-

ferred to the formation with the temperature limited heater than with the conventional heater that is limited by the temperature at low thermal conductivity layers. The heat output along the entire length of the conventional heater needs to accommodate the low thermal conductivity layers so that the heater does not overheat at the low thermal conductivity layers and burn out. The heat output adjacent to the low thermal conductivity layers that are at high temperature will reduce for the temperature limited heater, but the remaining portions of the temperature limited heater that are not at high temperature will still provide high heat output. Because heaters for heating hydrocarbon formations typically have long lengths (for example, at least 10 m, 100 m, 300 m, 500 m, 1 km or more up to about 10 km), the majority of the length of the temperature limited heater may be operating below the Curie temperature and/or the phase transformation temperature range while only a few portions are at or near the Curie temperature and/or the phase transformation temperature range of the temperature limited heater.

**[0143]** The use of temperature limited heaters allows for efficient transfer of heat to the formation. Efficient transfer of heat allows for reduction in time needed to heat the formation to a desired temperature. For example, in Green River oil shale, pyrolysis typically requires 9.5 years to 10 years of heating when using a 12 m heater well spacing with conventional constant wattage heaters. For the same heater spacing, temperature limited heaters may allow a larger average heat output while maintaining heater equipment temperatures below equipment design limit temperatures. Pyrolysis in the formation may occur at an earlier time with the larger average heat output provided by temperature limited heaters than the lower average heat output provided by constant wattage heaters. For example, in Green River oil shale, pyrolysis may occur in 5 years using temperature limited heaters with a 12 m heater well spacing. Temperature limited heaters counteract hot spots due to inaccurate well spacing or drilling where heater wells come too close together. In certain embodiments, temperature limited heaters allow for increased power output over time for heater wells that have been spaced too far apart, or limit power output for heater wells that are spaced too close together. Temperature limited heaters also supply more power in regions adjacent the overburden and underburden to compensate for temperature losses in these regions.

**[0144]** Temperature limited heaters may be advantageously used in many types of formations. For example, in tar sands formations or relatively permeable formations containing heavy hydrocarbons, temperature limited heaters may be used to provide a controllable low temperature output for reducing the viscosity of fluids, mobilizing fluids, and/or enhancing the radial flow of fluids at or near the wellbore or in the formation. Temperature limited heaters may be used to inhibit excess coke formation due to overheating of the near wellbore region of the formation.

**[0145]** In some embodiments, the use of temperature limited heaters eliminates or reduces the need for expensive temperature control circuitry. For example, the use of temperature limited heaters eliminates or reduces the need to perform temperature logging and/or the need to use fixed thermocouples on the heaters to monitor potential overheating at hot spots.

**[0146]** The temperature limited heaters may be used in conductor-in-conduit heaters. In some embodiments of conductor-in-conduit heaters, the majority of the resistive heat is generated in the conductor, and the heat radiatively, conduc-

tively and/or convectively transfers to the conduit. In some embodiments of conductor-in-conduit heaters, the majority of the resistive heat is generated in the conduit.

**[0147]** In some embodiments, a relatively thin conductive layer is used to provide the majority of the electrically resistive heat output of the temperature limited heater at temperatures up to a temperature at or near the Curie temperature and/or the phase transformation temperature range of the ferromagnetic conductor. Such a temperature limited heater may be used as the heating member in an insulated conductor heater. The heating member of the insulated conductor heater may be located inside a sheath with an insulation layer between the sheath and the heating member.

**[0148]** Mineral insulated (MI) cables (insulated conductors) for use in subsurface applications, such as heating hydrocarbon containing formations in some applications, are longer, may have larger outside diameters, and may operate at higher voltages and temperatures than what is typical in the MI cable industry. For these subsurface applications, the joining of multiple MI cables is needed to make MI cables with sufficient length to reach the depths and distances needed to heat the subsurface efficiently and to join segments with different functions, such as lead-in cables joined to heater sections. Such long heaters also require higher voltages to provide enough power to the farthest ends of the heaters.

**[0149]** Conventional MI cable splice designs are typically not suitable for voltages above 1000 volts, above 1500 volts, or above 2000 volts and may not operate for extended periods without failure at elevated temperatures, such as over 650° C. (about 1200° F.), over 700° C. (about 1290° F.), or over 800° C. (about 1470° F.). Such high voltage, high temperature applications typically require the compaction of the mineral insulant in the splice to be as close as possible to or above the level of compaction in the insulated conductor (MI cable) itself.

**[0150]** The relatively large outside diameter and long length of MI cables for some applications requires that the cables be spliced while oriented horizontally. There are splices for other applications of MI cables that have been fabricated horizontally. These techniques typically use a small hole through which the mineral insulation (such as magnesium oxide powder) is filled into the splice and compacted slightly through vibration and tamping. Such methods do not provide sufficient compaction of the mineral insulation or even, in some cases, allow any compaction of the mineral insulation, and, thus may not be suitable for making splices for use at the high voltages needed for these subsurface applications.

**[0151]** Thus, there is a need for splices of insulated conductors that are simple yet can operate at the high voltages and temperatures in the subsurface environment over long durations without failure. In addition, the splices may need higher bending and tensile strengths to inhibit failure of the splice under the weight loads and temperatures that the cables can be subjected to in the subsurface. Techniques and methods also may be utilized to reduce electric field intensities in the splices to reduce leakage currents in the splices and to increase the margin between the operating voltage and electrical breakdown. Reducing electric field intensities may help increase voltage and temperature operating ranges of the splices.

**[0152]** FIG. 5 depicts a side view cross-sectional representation of one embodiment of a fitting for joining insulated conductors. Fitting 250 is a splice or coupling joint for joining

insulated conductors **212A**, **212B**. In certain embodiments, fitting **250** includes sleeve **252** and housings **254A**, **254B**. Housings **254A**, **254B** may be splice housings, coupling joint housings, or coupler housings. Sleeve **252** and housings **254A**, **254B** may be made of mechanically strong, electrically conductive materials such as, but not limited to, stainless steel. Sleeve **252** and housings **254A**, **254B** may be cylindrically shaped or polygon shaped. Sleeve **252** and housings **254A**, **254B** may have rounded edges, tapered diameter changes, other features, or combinations thereof, which reduce electric field intensities in fitting **250**.

**[0153]** Fitting **250** may be used to couple (splice) insulated conductor **212A** to insulated conductor **212B** while maintaining the mechanical and electrical integrity of the jackets (sheaths), insulation, and cores (conductors) of the insulated conductors. Fitting **250** may be used to couple heat producing insulated conductors with non-heat producing insulated conductors, to couple heat producing insulated conductors with other heat producing insulated conductors, or to couple non-heat producing insulated conductors with other non-heat producing insulated conductors. In some embodiments, more than one fitting **250** is used to couple multiple heat producing and non-heat producing insulated conductors to provide a long insulated conductor.

**[0154]** Fitting **250** may be used to couple insulated conductors with different diameters, as shown in FIG. 5. For example, the insulated conductors may have different core (conductor) diameters, different jacket (sheath) diameters, or combinations of different diameters. Fitting **250** may also be used to couple insulated conductors with different metallurgies, different types of insulation, or combinations thereof.

**[0155]** As shown in FIG. 5, housing **254A** is coupled to jacket (sheath) **218A** of insulated conductor **212A** and housing **254B** is coupled to jacket **218B** of insulated conductor **212B**. In certain embodiments, housings **254A**, **254B** are welded, brazed, or otherwise permanently affixed to insulated conductors **212A**, **212B**. In some embodiments, housings **254A**, **254B** are temporarily or semi-permanently affixed to jackets **218A**, **218B** of insulated conductors **212A**, **212B** (for example, coupled using threads or adhesives). Fitting **250** may be centered between the end portions of the insulated conductors **212A**, **212B**.

**[0156]** In certain embodiments, the interior volumes of sleeve **252** and housings **254A**, **254B** are substantially filled with electrically insulating material **256**. In certain embodiments, "substantially filled" refers to entirely or almost entirely filling the volume or volumes with electrically insulating material with substantially no macroscopic voids in the volume or volumes. For example, substantially filled may refer to filling almost the entire volume with electrically insulating material that has some porosity because of microscopic voids (for example, up to about 40% porosity). Electrically insulating material **256** may include magnesium oxide, talc, ceramic powders (for example, boron nitride), a mixture of magnesium oxide and another electrical insulator (for example, up to about 50% by weight boron nitride), ceramic cement, mixtures of ceramic powders with certain non-ceramic materials (such as tungsten sulfide ( $WS_2$ )), or mixtures thereof. For example, magnesium oxide may be mixed with boron nitride or another electrical insulator to improve the ability of the electrically insulating material to flow, to improve the dielectric characteristics of the electrically insulating material, or to improve the flexibility of the fitting. In some embodiments, electrically insulating material

**256** is material similar to electrical insulation used inside of at least one of insulated conductors **212A**, **212B**. Electrically insulating material **256** may have substantially similar dielectric characteristics to electrical insulation used inside of at least one of insulated conductors **212A**, **212B**.

**[0157]** In certain embodiments, first sleeve **252** and housings **254A**, **254B** are made up (for example, put together or manufactured) buried or submerged in electrically insulating material **256**. Making up sleeve **252** and housings **254A**, **254B** buried in electrically insulating material **256** inhibits open space from forming in the interior volumes of the portions. Sleeve **252** and housings **254A**, **254B** have open ends to allow insulated conductors **212A**, **212B** to pass through. These open ends may be sized to have diameters slightly larger than the outside diameter of the jackets of the insulated conductors.

**[0158]** In certain embodiments, cores **214A**, **214B** of insulated conductors **212A**, **212B** are joined together at coupling **258**. The jackets and insulation of insulated conductors **212A**, **212B** may be cut back or stripped to expose desired lengths of cores **214A**, **214B** before joining the cores. Coupling **258** may be located in electrically insulating material **256** inside sleeve **252**.

**[0159]** Coupling **258** may join cores **214A**, **214B** together, for example, by compression, crimping, brazing, welding, or other techniques known in the art. In some embodiments, core **214A** is made of different material than core **214B**. For example, core **214A** may be copper while core **214B** is stainless steel, carbon steel, or Alloy 180. In such embodiments, special methods may have to be used to weld the cores together. For example, the tensile strength properties and/or yield strength properties of the cores may have to be matched closely such that the coupling between the cores does not degrade over time or with use.

**[0160]** In some embodiments, a copper core may be work-hardened before joining the core to carbon steel or Alloy 180. In some embodiments, the cores are coupled by in-line welding using filler material (for example, filler metal) between the cores of different materials. For example, Monel® (Special Metals Corporation, New Hartford, N.Y., U.S.A.) nickel alloys may be used as filler material. In some embodiments, copper cores are buttered (melted and mixed) with the filler material before the welding process.

**[0161]** In an embodiment, insulated conductors **212A**, **212B** are coupled using fitting **250** by first sliding housing **254A** over jacket **218A** of insulated conductor **212A** and, second, sliding housing **254B** over jacket **218B** of insulated conductor **212B**. The housings are slid over the jackets with the large diameter ends of the housings facing the ends of the insulated conductors. Sleeve **252** may be slid over insulated conductor **212B** such that it is adjacent to housing **254B**. Cores **214A**, **214B** are joined at coupling **258** to create a robust electrical and mechanical connection between the cores. The small diameter end of housing **254A** is joined (for example, welded) to jacket **218A** of insulated conductor **212A**. Sleeve **252** and housing **254B** are brought (moved or pushed) together with housing **254A** to form fitting **250**. The interior volume of fitting **250** may be substantially filled with electrically insulating material while the sleeve and the housings are brought together. The interior volume of the combined sleeve and housings is reduced such that the electrically insulating material substantially filling the entire interior volume is compacted. Sleeve **252** is joined to housing **254B** and housing **254B** is joined to jacket **218B** of insulated conductor

**212B.** The volume of sleeve **252** may be further reduced, if additional compaction is desired.

**[0162]** In certain embodiments, the interior volumes of housings **254A**, **254B** filled with electrically insulating material **256** have tapered shapes. The diameter of the interior volumes of housings **254A**, **254B** may taper from a smaller diameter at or near the ends of the housings coupled to insulated conductors **212A**, **212B** to a larger diameter at or near the ends of the housings located inside sleeve **252** (the ends of the housings facing each other or the ends of the housings facing the ends of the insulated conductors). The tapered shapes of the interior volumes may reduce electric field intensities in fitting **250**. Reducing electric field intensities in fitting **250** may reduce leakage currents in the fitting at increased operating voltages and temperatures, and may increase the margin to electrical breakdown. Thus, reducing electric field intensities in fitting **250** may increase the range of operating voltages and temperatures for the fitting.

**[0163]** In some embodiments, the insulation from insulated conductors **212A**, **212B** tapers from jackets **218A**, **218B** down to cores **214A**, **214B** in the direction toward the center of fitting **250** in the event that the electrically insulating material **256** is a weaker dielectric than the insulation in the insulated conductors. In some embodiments, the insulation from insulated conductors **212A**, **212B** tapers from jackets **218A**, **218B** down to cores **214A**, **214B** in the direction toward the insulated conductors in the event that electrically insulating material **256** is a stronger dielectric than the insulation in the insulated conductors. Tapering the insulation from the insulated conductors reduces the intensity of electric fields at the interfaces between the insulation in the insulated conductors and the electrically insulating material within the fitting.

**[0164]** FIG. 6 depicts a tool that may be used to cut away part of the inside of insulated conductors **212A**, **212B** (for example, electrical insulation inside the jacket of the insulated conductor). Cutting tool **260** may include cutting teeth **262** and drive tube **264**. Drive tube **264** may be coupled to the body of cutting tool **260** using, for example, a weld or a braze. In some embodiments, no cutting tool is needed to cut away electrical insulation from inside the jacket.

**[0165]** Sleeve **252** and housings **254A**, **254B** may be coupled together using any means known in the art such as brazing, welding, or crimping. In some embodiments, as shown in FIG. 7, sleeve **252** and housings **254A**, **254B** have threads that engage to couple the pieces together.

**[0166]** As shown in FIGS. 5 and 7, in certain embodiments, electrically insulating material **256** is compacted during the assembly process. The force to press the housings **254A**, **254B** toward each other may put a pressure on electrically insulating material **256** of, for example, at least 25,000 pounds per square inch up to 55,000 pounds per square inch in order to provide acceptable compaction of the insulating material. The tapered shapes of the interior volumes of housings **254A**, **254B** and the make-up of electrically insulating material **256** may enhance compaction of the electrically insulating material during the assembly process to the point where the dielectric characteristics of the electrically insulating material are, to the extent practical, comparable to that within insulated conductors **212A**, **212B**. Methods and devices to facilitate compaction include, but are not limited to, mechanical methods (such as shown in FIG. 10), pneumatic, hydraulic (such as shown in FIGS. 11 and 12), swaged, or combinations thereof.

**[0167]** The combination of moving the pieces together with force and the housings having the tapered interior volumes compacts electrically insulating material **256** using both axial and radial compression. Both axial and radial compressing electrically insulating material **256** provides more uniform compaction of the electrically insulating material. In some embodiments, vibration and/or tamping of electrically insulating material **256** may also be used to consolidate the electrically insulating material. Vibration (and/or tamping) may be applied either at the same time as application of force to push the housings **254A**, **254B** together, or vibration (and/or tamping) may be alternated with application of such force. Vibration and/or tamping may reduce bridging of particles in electrically insulating material **256**.

**[0168]** In the embodiment depicted in FIG. 7, electrically insulating material **256** inside housings **254A**, **254B** is compressed mechanically by tightening nuts **266** against ferrules **268** coupled to jackets **218A**, **218B**. The mechanical method compacts the interior volumes of housings **254A**, **254B** because of the tapered shape of the interior volumes. Ferrules **268** may be copper or other soft metal ferrules. Nuts **266** may be stainless steel or other hard metal nut that is movable on jackets **218A**, **218B**. Nuts **266** may engage threads on housings **254A**, **254B** to couple to the housings. As nuts **266** are threaded onto housings **254A**, **254B**, nuts **266** and ferrules **268** work to compress the interior volumes of the housings. In some embodiments, nuts **266** and ferrules **268** may work to move housings **254A**, **254B** further onto sleeve **252** (using the threaded coupling between the pieces) and compact the interior volume of the sleeve. In some embodiments, housings **254A**, **254B** and sleeve **252** are coupled together using the threaded coupling before the nut and ferrule are swaged down on the second portion. As the interior volumes inside housings **254A**, **254B** are compressed, the interior volume inside sleeve **252** may also be compressed. In some embodiments, nuts **266** and ferrules **268** may act to couple housings **254A**, **254B** to insulated conductors **212A**, **212B**.

**[0169]** In certain embodiments, multiple insulated conductors are spliced together in an end fitting. For example, three insulated conductors may be spliced together in an end fitting to couple electrically the insulated conductors in a 3-phase wye configuration. FIG. 8A depicts a side view of a cross-sectional representation of an embodiment of threaded fitting **270** for coupling three insulated conductors **212A**, **212B**, **212C**. FIG. 8B depicts a side view of a cross-sectional representation of an embodiment of welded fitting **270** for coupling three insulated conductors **212A**, **212B**, **212C**. As shown in FIGS. 8A and 8B, insulated conductors **212A**, **212B**, **212C** may be coupled to fitting **270** through end cap **272**. End cap **272** may include three strain relief fittings **274** through which insulated conductors **212A**, **212B**, **212C** pass.

**[0170]** Cores **214A**, **214B**, **214C** of the insulated conductors may be coupled together at coupling **258**. Coupling **258** may be, for example, a braze (such as a silver braze or copper braze), a welded joint, or a crimped joint. Coupling cores **214A**, **214B**, **214C** at coupling **258** electrically join the three insulated conductors for use in a 3-phase wye configuration.

**[0171]** As shown in FIG. 8A, end cap **272** may be coupled to main body **276** of fitting **270** using threads. Threading of end cap **272** and main body **276** may allow the end cap to compact electrically insulating material **256** inside the main body. At the end of main body **276** opposite of end cap **272** is cover **278**. Cover **278** may also be attached to main body **276** by threads. In certain embodiments, compaction of electri-



cally insulating material 256 in fitting 270 is enhanced through tightening of cover 278 into main body 276, by crimping of the main body after attachment of the cover, or a combination of these methods.

[0172] As shown in FIG. 8B, end cap 272 may be coupled to main body 276 of fitting 270 using welding, brazing, or crimping. End cap 272 may be pushed or pressed into main body 276 to compact electrically insulating material 256 inside the main body. Cover 278 may also be attached to main body 276 by welding, brazing, or crimping. Cover 278 may be pushed or pressed into main body 276 to compact electrically insulating material 256 inside the main body. Crimping of the main body after attachment of the cover may further enhance compaction of electrically insulating material 256 in fitting 270.

[0173] In some embodiments, as shown in FIGS. 8A and 8B, plugs 280 close openings or holes in cover 278. For example, the plugs may be threaded, welded, or brazed into openings in cover 278. The openings in cover 278 may allow electrically insulating material 256 to be provided inside fitting 270 when cover 278 and end cap 272 are coupled to main body 276. The openings in cover 278 may be plugged or covered after electrically insulating material 256 is provided inside fitting 270. In some embodiments, openings are located on main body 276 of fitting 270. Openings on main body 276 may be plugged with plugs 280 or other plugs.

[0174] In some embodiments, cover 278 includes one or more pins. In some embodiments, the pins are or are part of plugs 280. The pins may engage a torque tool that turns cover 278 and tightens the cover on main body 276. An example of torque tool 282 that may engage the pins is depicted in FIG. 9. Torque tool 282 may have an inside diameter that substantially matches the outside diameter of cover 278 (depicted in FIG. 8A). As shown in FIG. 9, torque tool 282 may have slots or other depressions that are shaped to engage the pins on cover 278. Torque tool 282 may include recess 284. Recess 284 may be a square drive recess or other shaped recess that allows operation (turning) of the torque tool.

[0175] FIG. 10 depicts an embodiment of clamp assemblies 286A,B that may be used to mechanically compact fitting 250. Clamp assemblies 286A,B may be shaped to secure fitting 250 in place at the shoulders of housings 254A, 254B. Threaded rods 288 may pass through holes 290 of clamp assemblies 286A,B. Nuts 292, along with washers, on each of threaded rods 288 may be used to apply force on the outside faces of each clamp assembly and bring the clamp assemblies together such that compressive forces are applied to housings 254A, 254B of fitting 250. These compressive forces compact electrically insulating material inside fitting 250.

[0176] In some embodiments, clamp assemblies 286 are used in hydraulic, pneumatic, or other compaction methods. FIG. 11 depicts an exploded view of an embodiment of hydraulic compaction machine 294. FIG. 12 depicts a representation of an embodiment of assembled hydraulic compaction machine 294. As shown in FIGS. 11 and 12, clamp assemblies 286 may be used to secure fitting 250 (depicted, for example, in FIG. 5) in place with insulated conductors coupled to the fitting. At least one clamp assembly (for example, clamp assembly 286A) may be moveable together to compact the fitting in the axial direction. Power unit 296, shown in FIG. 11, may be used to power compaction machine 294.

[0177] FIG. 13 depicts an embodiment of fitting 250 and insulated conductors 212A, 212B secured in clamp assembly

286A and clamp assembly 286B before compaction of the fitting and insulated conductors. As shown in FIG. 13, the cores of insulated conductors 212A, 212B are coupled using coupling 258 at or near the center of sleeve 252. Sleeve 252 is slid over housing 254A, which is coupled to insulated conductor 212A. Sleeve 252 and housing 254A are secured in fixed (non-moving) clamp assembly 286B. Insulated conductor 212B passes through housing 254B and movable clamp assembly 286A. Insulated conductor 212B may be secured by another clamp assembly fixed relative to clamp assembly 286B (not shown). Clamp assembly 286A may be moved towards clamp assembly 286B to couple housing 254B to sleeve 252 and compact electrically insulating material inside the housings and the sleeve. Interfaces between insulated conductor 212A and housing 254A, between housing 254A and sleeve 252, between sleeve 252 and housing 254B, and between housing 254B and insulated conductor 212B may then be coupled by welding, brazing, or other techniques known in the art.

[0178] FIG. 14 depicts a side view representation of an embodiment of fitting 298 for joining insulated conductors. Fitting 298 may be a cylinder or sleeve that has sufficient clearance between the inside diameter of the sleeve and the outside diameters of insulated conductors 212A, 212B such that the sleeve fits over the ends of the insulated conductors. The cores of insulated conductors 212A, 212B may be joined inside fitting 298. The jackets and insulation of insulated conductors 212A, 212B may be cut back or stripped to expose desired lengths of the cores before joining the cores. Fitting 298 may be centered between the end portions of insulated conductors 212A, 212B.

[0179] Fitting 298 may be used to couple insulated conductor 212A to insulated conductor 212B while maintaining the mechanical and electrical integrity of the jackets, insulation, and cores of the insulated conductors. Fitting 298 may be used to couple heat producing insulated conductors with non-heat producing insulated conductors, to couple heat producing insulated conductors with other heat producing insulated conductors, or to couple non-heat producing insulated conductors with other non-heat producing insulated conductors. In some embodiments, more than one fitting 298 is used in to couple multiple heat producing and non-heat producing insulated conductors to produce a long insulated conductor.

[0180] Fitting 298 may be used to couple insulated conductors with different diameters. For example, the insulated conductors may have different core diameters, different jacket diameters, or combinations of different diameters. Fitting 298 may also be used to couple insulated conductors with different metallurgies, different types of insulation, or a combination thereof.

[0181] In certain embodiments, fitting 298 has at least one angled end. For example, the ends of fitting 298 may be angled relative to the longitudinal axis of the fitting. The angle may be, for example, about 45° or between 30° and 60°. Thus, the ends of fitting 298 may have substantially elliptical cross-sections. The substantially elliptical cross-sections of the ends of fitting 298 provide a larger area for welding or brazing of the fitting to insulated conductors 212A, 212B. The larger coupling area increases the strength of spliced insulated conductors. In the embodiment shown in FIG. 14, the angled ends of fitting 298 give the fitting a substantially parallelogram shape.

[0182] The angled ends of fitting 298 provide higher tensile strength and higher bending strength for the fitting than if the



fitting had straight ends by distributing loads along the fitting. Fitting 298 may be oriented so that when insulated conductors 212A, 212B and the fitting are spooled (for example, on a coiled tubing installation), the angled ends act as a transition in stiffness from the fitting body to the insulated conductors. This transition reduces the likelihood of the insulated conductors to kink or crimp at the end of the fitting body.

[0183] As shown in FIG. 14, fitting 298 includes opening 300. Opening 300 allows electrically insulating material (such as electrically insulating material 256, depicted in FIG. 5) to be provided (filled) inside fitting 298. Opening 300 may be a slot or other longitudinal opening extending along part of the length of fitting 298. In certain embodiments, opening 300 extends substantially the entire gap between the ends of insulated conductors 212A, 212B inside fitting 298. Opening 300 allows substantially the entire volume (area) between insulated conductors 212A, 212B, and around any welded or spliced joints between the insulated conductors, to be filled with electrically insulating material without the insulating material having to be moved axially toward the ends of the volume between the insulated conductors. The width of opening 300 allows electrically insulating material to be forced into the opening and packed more tightly inside fitting 298, thus, reducing the amount of void space inside the fitting. Electrically insulating material may be forced through the slot into the volume between insulated conductors 212A, 212B, for example, with a tool with the dimensions of the slot. The tool may be forced into the slot to compact the insulating material. Then, additional insulating material may be added and the compaction is repeated. In some embodiments, the electrically insulating material may be further compacted inside fitting 298 using vibration, tamping, or other techniques. Further compacting the electrically insulating material may more uniformly distribute the electrically insulating material inside fitting 298.

[0184] After filling electrically insulating material inside fitting 298 and, in some embodiment, compaction of the electrically insulating material, opening 300 may be closed. For example, an insert or other covering may be placed over the opening and secured in place. FIG. 15 depicts a side view representation of an embodiment of fitting 298 with opening 300 covered with insert 302. Insert 302 may be welded or brazed to fitting 298 to close opening 300. In some embodiments, insert 302 is ground or polished so that the insert is flush on the surface of fitting 298. Also depicted in FIG. 15, welds or brazes 304 may be used to secure fitting 298 to insulated conductors 212A, 212B.

[0185] After opening 300 is closed, fitting 298 may be compacted mechanically, hydraulically, pneumatically, or using swaging methods to compact further the electrically insulating material inside the fitting. Further compaction of the electrically insulating material reduces void volume inside fitting 298 and reduces the leakage currents through the fitting and increases the operating range of the fitting (for example, the maximum operating voltages or temperatures of the fitting).

[0186] In certain embodiments, fitting 298 includes certain features that may further reduce electric field intensities inside the fitting. For example, fitting 298 or coupling 258 of the cores of the insulated conductors inside the fitting may include tapered edges, rounded edges, or other smoothed out features to reduce electric field intensities. FIG. 16 depicts an embodiment of fitting 298 with electric field reducing features at coupling 258 between insulated conductors 212A,

212B. As shown in FIG. 16, coupling 258 is a welded joint with a smoothed out or rounded profile to reduce electric field intensity inside fitting 298. In addition, fitting 298 has a tapered interior volume to increase the volume of electrically insulating material inside the fitting. Having the tapered and larger volume may reduce electric field intensities inside fitting 298.

[0187] In some embodiments, electric field stress reducers may be located inside fitting 298 to decrease the electric field intensity. FIG. 17 depicts an embodiment of electric field stress reducer 306. Reducer 306 may be located in the interior volume of fitting 298 (shown in FIG. 16). Reducer 306 may be a split ring or other separable piece so that the reducer can be fitted around cores 214A, 214B of insulated conductors 212A, 212B after they are joined (shown in FIG. 16).

[0188] FIGS. 18 and 19 depict cross-sectional representations of another embodiment of fitting 250 used for joining insulated conductors. FIG. 18 depicts a cross-sectional representation of fitting 250 as insulated conductors 212A, 212B are being moved into the fitting. FIG. 19 depicts a cross-sectional representation of fitting 250 with insulated conductors 212A, 212B joined inside the fitting. In certain embodiments, fitting 250 includes sleeve 252 and coupling 258.

[0189] Fitting 250 may be used to couple (splice) insulated conductor 212A to insulated conductor 212B while maintaining the mechanical and electrical integrity of the jackets (sheaths), insulation, and cores (conductors) of the insulated conductors. Fitting 250 may be used to couple heat producing insulated conductors with non-heat producing insulated conductors, to couple heat producing insulated conductors with other heat producing insulated conductors, or to couple non-heat producing insulated conductors with other non-heat producing insulated conductors. In some embodiments, more than one fitting 250 is used to couple multiple heat producing and non-heat producing insulated conductors to provide a long insulated conductor.

[0190] Fitting 250 may be used to couple insulated conductors with different diameters. For example, the insulated conductors may have different core (conductor) diameters, different jacket (sheath) diameters, or combinations of different diameters. Fitting 250 may also be used to couple insulated conductors with different metallurgies, different types of insulation, or combinations thereof.

[0191] Coupling 258 is used to join and electrically couple cores 214A, 214B of insulated conductors 212A, 212B inside fitting 250. Coupling 258 may be made of copper or another suitable electrical conductor. In certain embodiments, cores 214A, 214B are press fit or pushed into coupling 258. In some embodiments, coupling 258 is heated to enable cores 214A, 214B to be slid into the coupling. In some embodiments, core 214A is made of different material than core 214B. For example, core 214A may be copper while core 214B is stainless steel, carbon steel, or Alloy 180. In such embodiments, special methods may have to be used to weld the cores together. For example, the tensile strength properties and/or yield strength properties of the cores may have to be matched closely such that the coupling between the cores does not degrade over time or with use.

[0192] In some embodiments, coupling 258 includes one or more grooves on the inside of the coupling. The grooves may inhibit particles from entering or exiting the coupling after the cores are joined in the coupling. In some embodiments, coupling 258 has a tapered inner diameter (for example, tighter inside diameter towards the center of the coupling). The

tapered inner diameter may provide a better press fit between coupling 258 and cores 214A, 214B.

[0193] In certain embodiments, electrically insulating material 256 is located inside sleeve 252. In some embodiments, electrically insulating material 256 is magnesium oxide or a mixture of magnesium oxide and boron nitride (80% magnesium oxide and 20% boron nitride by weight). Electrically insulating material 256 may include magnesium oxide, talc, ceramic powders (for example, boron nitride), a mixture of magnesium oxide and another electrical insulator (for example, up to about 50% by weight boron nitride), ceramic cement, mixtures of ceramic powders with certain non-ceramic materials (such as tungsten sulfide (WS<sub>2</sub>)), or mixtures thereof. For example, magnesium oxide may be mixed with boron nitride or another electrical insulator to improve the ability of the electrically insulating material to flow, to improve the dielectric characteristics of the electrically insulating material, or to improve the flexibility of the fitting. In some embodiments, electrically insulating material 256 is material similar to electrical insulation used inside of at least one of insulated conductors 212A, 212B. Electrically insulating material 256 may have substantially similar dielectric characteristics to electrical insulation used inside of at least one of insulated conductors 212A, 212B.

[0194] In certain embodiments, the interior volumes of sleeve 252 is substantially filled with electrically insulating material 256. In certain embodiments, "substantially filled" refers to entirely or almost entirely filling the volume or volumes with electrically insulating material with substantially no macroscopic voids in the volume or volumes. For example, substantially filled may refer to filling almost the entire volume with electrically insulating material that has some porosity because of microscopic voids (for example, up to about 40% porosity).

[0195] In some embodiments, sleeve 252 has one or more grooves 308. Grooves 308 may inhibit electrically insulating material 256 from moving out of sleeve 252 (for example, the grooves trap the electrically insulating material in the sleeve).

[0196] In certain embodiments, electrically insulating material 256 has concave shaped end portions at or near the edges of coupling 258, as shown in FIG. 18. The concave shapes of electrically insulating material 256 may enhance coupling with electrical insulators 216A, 216B of insulated conductors 212A, 212B. In some embodiments, electrical insulators 216A, 216B have convex shaped (or tapered) end portions to enhance coupling with electrically insulating material 256. The end portions of electrically insulating material 256 and electrical insulators 216A, 216B may come together or mix under the pressure applied during joining of the insulated conductors. The coming together or mixing of the insulation materials may enhance the coupling between the insulated conductors.

[0197] In certain embodiments, insulated conductors 212A, 212B are joined with fitting 250 by moving (pushing) the insulated conductors together towards the center of the fitting. Cores 214A, 214B are brought together inside coupling 258 with the movement of insulated conductors 212A, 212B. After insulated conductors 212A, 212B are moved together into fitting 250, the fitting and end portions of the insulated conductors inside the fitting may be compacted or pressed to secure the insulated conductors in the fitting and compress electrically insulating material 256. Clamp assemblies or other similar devices may be used to bring together insulated conductors 212A, 212B and fitting 250. In certain

embodiments, the force to compress electrically insulating material 256 is, for example, at least 25,000 pounds per square inch up to 55,000 pounds per square inch in order to provide acceptable compaction of the insulating material. The compaction of electrically insulating material 256 during the assembly process may provide dielectric characteristics for the electrically insulating material that are, to the extent practical, comparable to that within insulated conductors 212A, 212B. Methods and devices to facilitate compaction include, but are not limited to, mechanical methods, pneumatic, hydraulic, swaged, or combinations thereof.

[0198] In some embodiments, end portions of sleeve 252 are coupled (welded or brazed) to jackets 218A, 218B of insulated conductors 212A, 212B. In some embodiments, a support sleeve and/or strain reliefs are placed over fitting 250 to provide additional strength to the fitting.

[0199] FIGS. 20 and 21 depict cross-sectional representations of yet another embodiment of fitting 250 used for joining insulated conductors. FIG. 20 depicts a cross-sectional representation of fitting 250 as insulated conductors 212A, 212B are being moved into the fitting. FIG. 21 depicts a cross-sectional representation of fitting 250 with insulated conductors 212A, 212B joined inside the fitting in a final position. The embodiment of fitting 250 depicted in FIGS. 20 and 21 may be similar to the embodiment of fitting 250 depicted in FIGS. 18 and 19.

[0200] In certain embodiments, fitting 250, as shown in FIGS. 20 and 21, includes sleeve 252 and coupling 258. Coupling 258 is used to join and electrically couple cores 214A, 214B of insulated conductors 212A, 212B inside fitting 250. Coupling 258 may be made of copper or another suitable soft metal conductor. In some embodiments, coupling 258 is used to couple cores of different diameters. Thus, coupling 258 may have halves with different inside diameters to match the diameters of the cores.

[0201] In certain embodiments, cores 214A, 214B are press fit or pushed into coupling 258 as insulated conductors 212A, 212B are pushed into sleeve 252. In some embodiments, coupling 258 has a tapered inner diameter (for example, tighter inside diameter towards the center of the coupling), as shown in FIG. 20. The tapered inner diameter may provide a better press fit between coupling 258 and cores 214A, 214B and increase the interface length between the cores and the coupling. Increasing the interface length between coupling 258 and cores 214A, 214B decreases resistance between the cores and the coupling and inhibits arcing when electrical power is applied to insulated conductors 212A, 212B.

[0202] In certain embodiments, cores 214A, 214B are pushed together to the final position depicted in FIG. 21 with clearance 309 between the ends of the cores. Clearance 309 is a gap or space between the ends of cores 214A, 214B. In some embodiments, clearance 309 is between about 1 mil and about 15 mils or between about 2 mils and about 5 mils.

[0203] With clearance 309 between the ends of cores 214A, 214B, movement of insulated conductors 212A, 212B as the insulated conductors are pushed into sleeve 252 is limited by compression of electrical insulators 216A, 216B against electrically insulating material 256 and not the interface between the ends of the cores. Thus, maintaining clearance 309 between the ends of cores 214A, 214B provides better (more) compression of electrically insulating material 256 and electrical insulators 216A, 216B inside sleeve 252 in the final position depicted in FIG. 21. Better compression of electri-

cally insulating material 256 and electrical insulators 216A, 216B provides a more reliable fitting 250 with better electrical characteristics.

[0204] Additionally, maintaining clearance 309 between the ends of cores 214A, 214B inhibits the cores from being pushed against each other and causing buckling or other deformation of the cores. Pushing cores 214A, 214B together inside coupling 258 allows for the cores to be coupled without welding, heating, or otherwise raising the temperature of the cores. Keeping the temperature of cores 214A, 214B reduced during joining of the cores keeps the core material (copper) from softening or flowing. Maintaining the hardness of cores 214A, 214B may provide better electrical performance of fitting 250.

[0205] In certain embodiments, electrically insulating material 256 has concave shaped end portions at or near the edges of coupling 258, as depicted in FIG. 20. The concave shaped end portions may have angled edges to form a female type angle shape, as depicted in FIG. 20. The concave shaped end portions of electrically insulating material 256 may enhance coupling with electrical insulators 216A, 216B of insulated conductors 212A, 212B. In some embodiments, electrical insulators 216A, 216B have convex shaped (or male angled edges) end portions to enhance coupling with electrically insulating material 256. Compressing the shaped end portions against each other may spread out the edges of the end portions and remove discontinuities between the end portions. Having shaped end portions of electrically insulating material 256 and electrical insulators 216A, 216B improves compression and/or bridging between the electrically insulating material and electrical insulators under the pressure applied during joining of insulated conductors 212A, 212B. Compression of the insulation materials enhances the electrical insulation properties of fitting 250.

[0206] In certain embodiments, insulated conductors 212A, 212B are moved a selected distance into fitting 250 to provide a desired compression of insulation material in the fitting and a desired coupling between cores 214A, 214B and coupling 258. In some embodiments, insulated conductors 212A, 212B are moved the selected distance with a selected amount of force to provide the desired compression and desired coupling. Hydraulic pressure may be used to provide the force to push insulated conductors 212A, 212B into fitting 250. As an example, insulated conductors 212A, 212B may each be moved between about  $\frac{7}{8}$ " (about 2.2 cm) and about 1" (about 2.5 cm) into fitting 250 with a hydraulic pressure of between about 2800 psi (19,300 kPa) and about 3000 psi (about 20,680 kPa).

[0207] FIG. 22 depicts an embodiment of blocks of electrically insulating material in position around cores of joined insulated conductors. Core 214A of insulated conductor 212A is coupled to core 214B of insulated conductor 212B at coupling 258. Cores 214A, 214B are exposed by removing portions of electrical insulators 216A, 216B and jackets 218A, 218B surrounding the cores at the ends of insulated conductors 212A, 212B.

[0208] In some embodiments, cores 214A, 214B have different diameters. In such embodiments, coupling 258 may taper from the diameter of core 214A to the diameter of core 214B. In some embodiments, cores 214A, 214B include different materials. Coupling 258 may compensate for the different materials in the cores. For example, coupling 258 may include a blend or mixture of materials in the cores.

[0209] In certain embodiments, one or more blocks of electrically insulating material 256 are placed around the exposed portions of cores 214A, 214B, as shown in FIG. 22. Blocks of electrically insulating material 256 may be made of, for example, magnesium oxide or a mixture of magnesium oxide and another electrical insulator. The blocks of electrically insulating material 256 may be hard or soft blocks of material depending on the type of compaction desired. A desired number of blocks of electrically insulating material 256 may be placed around the exposed portions of cores 214A, 214B such that the blocks substantially completely surround the exposed core portions. The number of blocks of electrically insulating material 256 may vary based on, for example, the length and/or diameter of the exposed core portions and/or the size of the blocks of electrically insulating material. In certain embodiments, four blocks of electrically insulating material 256 are used to surround the exposed portions of the cores.

[0210] FIG. 22 depicts two blocks of electrically insulating material 256A, 256B surrounding one half (a semi-circle) of the exposed portions of cores 214A, 214B. The depicted blocks of electrically insulating material 256 are semi-circular blocks that fit snugly around the outside diameters of the exposed core portions. In the embodiment depicted in FIG. 22, two additional blocks of electrically insulating material 256 would be placed on the exposed core portions to surround the exposed core portions with electrically insulating material. FIG. 23 depicts an embodiment of four blocks of electrically insulating material 256A, 256B, 256C, 256D in position surrounding the cores of joined insulated conductors 212A, 212B.

[0211] In certain embodiments, blocks of electrically insulating material 256 have inside diameters sized and/or shaped to match the outside diameters of the exposed portions of cores 214A, 214B. Matching the inside diameters of the blocks with the outside diameters of the exposed core portions may provide a snug fit between the blocks and the exposed core portions and inhibit or reduce gap formation during compaction of the blocks.

[0212] In some embodiments, one or more blocks of electrically insulating material 256 have a tapered inside diameter to match a tapered outer diameter of coupling 258 and/or the exposed portions of cores 214A, 214B, as shown in FIG. 22. The inside diameter of the blocks of electrically insulating material 256 may be formed by sanding or grinding the inner diameter of the blocks to the desired tapered shape.

[0213] After blocks of electrically insulating material 256 have been placed around the exposed portions of the cores (as shown in FIG. 23), a sleeve or other cylindrical covering is placed over the joined insulated conductors to substantially cover the blocks and at least a portion of each of the insulated conductors. FIG. 24 depicts an embodiment of inner sleeve 252A placed over joined insulated conductors 212A, 212B. Inner sleeve 252A may be a material the same as or similar to material used for jackets 218A, 218B of insulated conductors 212A, 212B. For example, inner sleeve 252A and jackets 218A, 218B may be 304 stainless steel. Inner sleeve 252A and jackets 218A, 218B are typically made of materials that can be welded together.

[0214] Inner sleeve 252A has a tight or snug fit over jackets 218A, 218B of insulated conductors 212A, 212B. In some embodiments, inner sleeve 252A includes axial and/or radial grooves in the outer surface of the sleeve. In certain embodiments, inner sleeve 252A includes alignment ridge 310.

Alignment ridge **310** is located at or near a center of the coupling between insulated conductors **212A**, **212B**.

[0215] After the inner sleeve has been placed around the blocks of electrically insulating material (as shown in FIG. **24**), an outer sleeve or other cylindrical covering is placed over the inner sleeve. FIG. **25** depicts an embodiment of outer sleeve **252B** placed over inner sleeve **252A** and joined insulated conductors **212A**, **212B**. In certain embodiments, outer sleeve **252B** has a shorter length than inner sleeve **252A**. In certain embodiments, outer sleeve **252B** has opening **312**. Opening **312** may be located at or near a center of outer sleeve **252B**. Opening **312** may be aligned with alignment ridge **310** on inner sleeve **252A** (the alignment ridge is viewed through the opening). In some embodiments, outer sleeve **252B** is made of two or more pieces. For example, the outer sleeve may be two-pieces put together in a clam-shell configuration. The pieces may be welded or otherwise coupled to form the outer sleeve. In some embodiments, outer sleeve **252B** includes axial and/or radial grooves in the inner surface of the sleeve.

[0216] Outer sleeve **252B** may be a material the same as or similar to material used for inner sleeve **252A** and jackets **218A**, **218B** (for example, 304 stainless steel). Outer sleeve **252B** may have a tight or snug fit over inner sleeve **252A**. After outer sleeve **252B** and inner sleeve **252A** are placed over jackets **218A**, **218B** of insulated conductors **212A**, **212B**, the sleeves may be permanently coupled (for example, welded) to jackets **218A**, **218B**. Sleeves **252A**, **252B** may be permanently coupled to jackets **218A**, **218B** such that the ends of the sleeves are substantially sealed (there are no leaks at the ends of the sleeves that allow air or other fluids to enter or exit the ends of the sleeves). After coupling of sleeves **252A**, **252B** to jackets **218A**, **218B**, opening **312** is the only port for fluid to enter/exit outer sleeve **252B** and there the interior of inner sleeve **252A** is substantially sealed.

[0217] In certain embodiments, fluid (for example, hydraulic fluid) is provided into the interior volume of outer sleeve **252B** through opening **312**. In certain embodiments, the fluid is hydraulic oil. In some embodiments, the fluid includes other fluids such as molten salt or gas. In some embodiments, the fluid is heated during pressurization.

[0218] The fluid provided into the interior volume of outer sleeve **252B** may be pressurized to compact or compress inner sleeve **252A** and electrically insulating material **256**. For example, the fluid may be hydraulically pressurized using a hand pump or another suitable hydraulic pressurizing pump. Pressurizing the fluid inside outer sleeve **252B** may provide isostatic pressure to compress inner sleeve **252A**.

[0219] Outer sleeve **252B** may be hard or non-susceptible to compaction under pressure while inner sleeve **252A** is susceptible to compaction under pressure. For example, inner sleeve **252A** may be thinner than outer sleeve **252B** and/or the inner sleeve may be heat treated (annealed) to be softer than the outer sleeve.

[0220] The fluid inside outer sleeve **252B** is pressurized to a selected pressure or into a selected pressure range to compact inner sleeve **252A** and electrically insulating material **256** to a desired compaction level. In some embodiments, the fluid inside outer sleeve **252B** is pressurized to a pressure between about 15,000 psi (about 100,000 kPa) and about 20,000 psi (about 140,000 kPa). In some embodiments, the fluid may be pressurized to higher pressures (for example, pressurized up to about 35,000 psi (about 240,000 kPa)).

[0221] Pressurizing the fluid to such pressures deforms inner sleeve **252A** by compressing the inner sleeve and compacts electrically insulating material **256** inside the inner sleeve. Inner sleeve **252A** may be uniformly deformed by the fluid pressure inside outer sleeve **252B**. In certain embodiments, electrically insulating material **256** is compacted such that the electrically insulating material has dielectric properties similar to or better than the dielectric properties of the electrical insulator in at least one of the joined insulated conductors. Using the pressurized fluid to compress and compact inner sleeve **252A** and electrically insulating material **256** may allow the insulated conductors to be joined in the sleeves in a horizontal configuration. Joining the insulated conductors in a horizontal configuration allows longer lengths of insulated conductors to be joined together without the need for complicated or expensive cable hanging systems.

[0222] In some embodiments, the ends of insulated conductors may have chamfers or other tapering to allow for compression of the inner sleeve. FIG. **26** depicts an embodiment of a chamfered end of an insulated conductor after compression. Insulated conductor **212** includes chamfer **314** inside inner sleeve **252A**. Chamfer **314** may inhibit kinking or buckling of inner sleeve **252A** during compression.

[0223] In some embodiments, electrically insulating material powder is added into the interior of inner sleeve **252A** before sealing and compaction of the inner sleeve. The electrically insulating material powder may penetrate and fill voids inside the inner sleeve (such as in the recess formed between a chamfer on the insulated conductor and the inner sleeve). Use of electrically insulating material powder may also reduce the number of interfaces in compacted electrically insulating material. In some embodiments, electrically insulating material powder is used instead of blocks of electrically insulating material.

[0224] In some embodiments, an additive such as a dopant or another additional material may be added to the electrically insulating material. The additive may improve the dielectric properties of the electrically insulating material. For example, the additive may increase the dielectric strength of the electrically insulating material.

[0225] In certain embodiments, mechanical and/or hydraulic compaction is used to radially compact electrically insulating material (for example, electrically insulating material in powder form) at the coupling of joined insulated conductors. FIG. **27** depicts an embodiment of first half **316A** of compaction device **316** to be used for compaction of electrically insulating material at a coupling of insulated conductors. The second half of device **316** has a similar shape and size as first half **316A** depicted in FIG. **27**. The first half and second half of device **316** are coupled together to form the device around a section of insulated conductors to be joined together.

[0226] FIG. **28** depicts an embodiment of device **316** coupled together around insulated conductors **212A**, **212B**. The jackets and electrical insulator surrounding the cores of insulated conductors **212A**, **212B** have been removed to expose the portions of the cores located inside device **316**.

[0227] As shown in FIG. **27**, first half **316A** includes first half **318A** of opening **318** that is formed in the top of device **316** when the two halves of the device are coupled together. Opening **318** allows electrically insulating material and/or other materials to be provided into the space around exposed

cores of the insulated conductors. In certain embodiments, electrically insulating material powder is provided into device 316.

[0228] As shown in FIG. 28, after at least some electrically insulating material is provided through opening 318 into device 316 around the exposed cores, first plunger 320A is inserted into the opening. First plunger 320A is used to compact (for example, by applying mechanical and/or hydraulic force to the top of the plunger) electrically insulating material inside device 316. For example, force may be applied to first plunger 320A using a hammer (mechanical compaction) or a hydraulically driven piston (hydraulic compaction).

[0229] FIG. 29 depicts a side view of insulated conductor 212 inside device 316 with first plunger 320A in position above the insulated conductor with exposed core 214. In certain embodiments, first plunger 320A has a bottom with recess 322A. Recess 322A may have a shape that is substantially similar to the shape of the exposed portions of the cores. First plunger 320A may include stops 324, shown in FIG. 28, that inhibit the depth the first plunger can go into device 316. For example, stops 324 may inhibit first plunger 320A from going to a depth inside device 316 that would bend or deform the cores of the insulated conductors. In some embodiments, first plunger 320A is designed to go to a selected depth that does not bend or deform the cores of the insulated conductors without the use of stops (for example, the top plate of the plunger acts as the stop).

[0230] First plunger 320A may be used to compact electrically insulating material 256 to a first level inside device 316. For example, as shown in FIG. 29, electrically insulating material 256 is compacted to level that surrounds a lower portion (for example, a lower half) of exposed core 214. The process of adding electrically insulating material and compacting the material with the first plunger may be repeated until a desired level of compaction is achieved around a lower portion of the core.

[0231] FIG. 30 depicts a side view of insulated conductor 212 inside device 316 with second plunger 320B in position above the insulated conductor with exposed core 214. In certain embodiments, second plunger 320B has a bottom with recess 322B. Recess 322B may have a shape that is substantially similar to the outer shape of the insulated conductor.

[0232] In some embodiments, recess 322B in second plunger 320B has other shapes or there is no recess. FIGS. 31A-D depict other embodiments of second plunger 320B. In FIG. 31A, second plunger 320B has no recess. In FIG. 31B, recess 322B has 30° angled edges. In FIG. 31C, recess 322B has 15° angled straight edges. In FIG. 31D, recess 322B is slightly shallower (shorter sides) than the recess shown in FIG. 30.

[0233] Second plunger 320B may be used to compact electrically insulating material 256 to a second level inside device 316. For example, as shown in FIG. 30, electrically insulating material 256 is compacted to level that surrounds exposed core 214. The process of adding electrically insulating material and compacting the material with the second plunger may be repeated until a desired level of compaction is achieved around the core. For example, the process may be repeated until the desired level of compaction of electrically insulating material is achieved in a shape and outside diameter similar to the shape and outside diameter of the insulated conductor.

[0234] After compaction of a desired amount of electrically insulating material, device 316 may be removed from around the coupling of the insulated conductors. FIG. 32 depicts an

embodiment with the second half of device 316 removed to leave first half 316A and electrically insulating material 256 compacted around the coupling between insulated conductors 212A, 212B.

[0235] After removal of device 316, compacted electrically insulating material 256 may be shaped into a substantially cylindrical shape with the outside diameter relatively similar to the outside diameter of insulated conductors 212A, 212B, as shown in FIG. 33. Compacted electrically insulating material 256 may be formed into its final shape by removing excess portions of the compacted material. For example, excess portions of compacted electrically insulating material 256 may be axially removed using a saw blade, a sleeve with a shaving edge slid over the compacted material, and/or other techniques known in the art.

[0236] After electrically insulating material 256 is formed into the final shape, sleeve 252 is placed over the electrically insulating material, as shown in FIG. 34. Sleeve 252 may include two or more portions placed over the electrically insulating material and coupled (welded) together to form the sleeve. In some embodiments, the two or more portions of sleeve 252 are compressed using a pressurized fluid inside an outer sleeve (such as described in the embodiments of inner sleeve 252A and outer sleeve 252B depicted in FIGS. 24 and 25) and/or by mechanically crimping the sleeve portions together (such as described in the embodiments of sleeve 252 depicted in FIGS. 36 and 37). Compression using the pressurized fluid and/or mechanically crimping sleeve 252 may close gaps between portions of the sleeve such that no weld is needed to join the portions together. Additionally, compression using the pressurized fluid and/or mechanically crimping may bring down the interface (make a tighter interference fit) between sleeve 252 and electrically insulating material 256. Sleeve 252 may be coupled (welded) to jackets of insulated conductors 212A, 212B. Sleeve 252 may be made of materials similar to the jackets of insulated conductors 212A, 212B. For example, sleeve 252 may be 304 stainless steel.

[0237] In certain embodiments, electrically insulating material 256 that is compacted in device 316 includes a mixture of magnesium oxide and boron nitride powders. In an embodiment, electrically insulating material 256 that is compacted in device 316 includes an 80% by weight magnesium oxide, 20% by weight boron nitride powder mixture. Other electrically insulating materials and/or other mixtures of electrically insulating materials may also be used. In some embodiments, a combination of electrically insulating material powder and blocks of electrically insulating material are used.

[0238] FIG. 35 depicts a representation of an embodiment of hydraulic press machine 426 that may be used to apply force to a plunger to hydraulically compact electrically insulating material inside a device (for example, device 316 depicted in FIGS. 27-32). Hydraulic press machine 426 may include piston 428 and device holder 430. In certain embodiments, insulated conductors may be fed through clamps 432 of hydraulic press machine 426 such that end portions of the insulated conductors are positioned under piston 428 and above device holder 430. Clamps 432 may be used to secure the ends of the insulated conductors on machine 426. Positioners 434 may be used to make fine tuning adjustments in the positions of the insulated conductors.

[0239] A device, such as device 316 depicted in FIGS. 27-32, may be placed around the ends of the insulated conductors at device holder 430 (for example, the two halves of

the device are put together around the ends of the insulated conductors). Device holder **430** may support the device during compaction of material in the device. During compaction, piston **428** may apply force to a plunger (for example, first plunger **320A** depicted in FIGS. **28-29** and/or second plunger **320B** depicted in FIG. **30**) to compact electrically insulating material around the ends of the insulated conductors. In some embodiments, piston **428** provides forces of up to about 50 tons force (about 100,000 pounds force).

[0240] Hydraulic compaction of electrically insulating material in device **316**, depicted in FIGS. **27-32**, may provide compaction levels (for example, up to about 85% compaction) in the electrically insulating material that are similar to compaction levels in the insulated conductors. Such compaction levels will produce splices that are suitable for operating temperatures up to at least about 1300° F. (about 700° C.). Hydraulic compaction of electrically insulating material in device **316** may provide more controlled compaction and/or more repeatable compaction (repeatable from splice to splice). Hydraulic compaction may be achieved with less movement or variation to provide more even and consistent pressure than mechanical compaction.

[0241] In some embodiments, hydraulic compaction is used in combination with mechanical compaction (for example, the electrically insulating material is first compacted mechanically and then further compacted using hydraulic compaction). In some embodiments, the electrically insulating material is compacted while at elevated temperatures. For example, the electrically insulating material may be compacted at a temperature of about 90° C. or higher. In some embodiments, first plunger **320A** and/or second plunger **320B** are coated with non-stick materials. For example, the plungers may be coated with non-metallic materials such as ceramics or DLC (Diamond-Like Carbon) coatings available from Morgan Technical Ceramics (Berkshire, England). Coating the plungers may inhibit metal transfer into the electrically insulating material and/or sticking of the electrically insulating material to the plungers.

[0242] In certain embodiments, a sleeve is mechanically compressed circumferentially around the sleeve to compress the sleeve. FIG. **36** depicts an embodiment of sleeve **252** that is used in circumferential mechanical compression. Sleeve **252** may be placed around blocks and/or powder of electrically insulating material. For example, sleeve **252** may be placed around blocks of electrically insulating material depicted in FIG. **23**, compacted electrically insulating material powder depicted in FIG. **33**, or combinations of the depicted blocks and powder.

[0243] In certain embodiments, sleeve **252** includes ribs **326**. Ribs **326** may be raised portions of sleeve **252** (for example, high spots on the outer diameter of the sleeve.). Ribs **326** may be shaped and sized to match the crimping portions of a press used to mechanically compress sleeve **252**. For example, sleeve **252** may be compressed using a hydraulically actuated mechanical compression system that circumferentially compresses the sleeve circumferentially. For example, sleeve **252** may be compressed using a Pyplok® swage tool available from Tube-Mac® Industries (Stoney Creek, Ontario, Canada).

[0244] Crimping portions of the press compress ribs **326** until the ribs are compressed to about the outer diameter of the remaining portions of sleeve **252** (the ribs have a diameter substantially similar to the diameter of the remainder of the sleeve). FIG. **37** depicts an embodiment of sleeve **252** on

insulated conductors **212A**, **212B** after the sleeve and ribs **326** have been circumferentially compressed. Compression of ribs **326** circumferentially (radially) compresses electrically insulating material inside sleeve **252** and couples the sleeve to insulated conductors **212A**, **212B**. Sleeve **252** may be further coupled to insulated conductors **212A**, **212B**. For example, the ends of sleeve **252** may be welded to the jackets of insulated conductors **212A**, **212B**.

[0245] The fittings depicted herein (such as, but not limited to, fitting **250** (depicted in FIGS. **5**, **7**, **18**, **19**, **20**, and **21**), fitting **270** (depicted in FIG. **8**), fitting **298** (depicted in FIGS. **14**, **15**, and **16**), embodiments of the fitting formed from inner sleeve **252A** and outer sleeve **252B** (depicted in FIGS. **22-25**), and embodiments of sleeve **252** (depicted in FIGS. **34**, **36**, and **37**) may form robust electrical and mechanical connections between insulated conductors. For example, fittings depicted herein may be suitable for extended operation at voltages above 1000 volts, above 1500 volts, or above 2000 volts and temperatures of at least about 650° C., at least about 700° C., at least about 800° C.

[0246] In certain embodiments, the fittings depicted herein couple insulated conductors used for heating (for example, insulated conductors located in a hydrocarbon containing layer) to insulated conductors not used for heating (for example, insulated conductors used in overburden sections of the formation). The heating insulated conductor may have a smaller core and different material core than the non-heating insulated conductor. For example, the core of the heating insulated conductor may be a copper-nickel alloy, stainless steel, or carbon steel while the core of the non-heating insulated conductor may be copper. Because of the difference in sizes and electrical properties of materials of the cores, however, the electrical insulation in the sections may have sufficiently different thicknesses that cannot be compensated in a single fitting joining the insulated conductors. Thus, in some embodiments, a short section of intermediate heating insulated conductor may be used in between the heating insulated conductor and the non-heating insulated conductor.

[0247] The intermediate heating insulated conductor may have a core diameter that tapers from the core diameter of the non-heating insulated conductor to the core diameter of the heating insulated conductor while using core material similar to the non-heating insulated conductor. For example, the intermediate heating insulated conductor may be copper with a core diameter that tapers to the same diameter as the heating insulated conductor. Thus, the thickness of the electrical insulation at the fitting coupling the intermediate insulated conductor and the heating insulated conductor is similar to the thickness of the electrical insulation in the heating insulated conductor. Having the same thickness allows the insulated conductors to be easily joined in the fitting. The intermediate heating insulated conductor may provide some voltage drop and some heating losses because of the smaller core diameter, however, the intermediate heating insulated conductor may be relatively short in length such that these losses are minimal.

[0248] In certain embodiments, a fitting for joining insulated conductors is compacted or compressed to improve the electrical insulation properties (dielectric characteristics) of electrically insulating material inside the fitting. For example, compaction of electrically insulating material inside the fitting may increase the uniformity of the electrically insulating material and/or remove voids or other interfaces in the electrically insulating material.

[0249] In some embodiments, blocks of electrically insulating material (for example, magnesium oxide) are compacted in the fitting. In some embodiments, electrically insulating material powder is compacted in the fitting. In some embodiments, combinations of powder and/or blocks of electrically insulating material are used in the fitting. In addition, combinations of different types of electrically insulating material may be used (for example, a combination of magnesium oxide and boron nitride).

[0250] In embodiments described herein that use electrically insulating material powder, the powder has selected properties that provide for better compaction (higher density when compacted). In some embodiments, the powder has a selected particle size distribution (for example, the size distribution may average between about 100  $\mu\text{m}$  and about 200  $\mu\text{m}$  for magnesium oxide powder). A desired range may be selected such that the powder compacts to a desired density. Other properties of the powder that may be selected to provide a desired density under compaction include, but are not limited to, particle shape, impurity properties (for example, ratios of impurities such as silicon or calcium), wall friction properties (wall friction angle), compactability under standardized force (compaction in a standard size cylinder under the same force), and hopper angle to achieve mass flow in a hopper. The combination of one or more of these properties may be indicators the compactability of the powder and/or the ability of the powder to flow during compression or compaction.

[0251] A fitting used to join insulated conductors may be compacted mechanically, pneumatically, and/or hydraulically. Compaction of the fitting may improve the dielectric characteristics of the electrically insulating material such that the electrically insulating material has dielectric characteristics that are similar to the dielectric characteristics of electrical insulation in the insulated conductors. In some embodiments, compacted electrically insulating material in the fitting may have dielectric characteristics that are better than the dielectric characteristics of electrical insulation in the insulated conductors.

[0252] As an example, electrical insulation (magnesium oxide) in an insulated conductor typically has a density of between about 78% and about 82%. Uncompacted magnesium oxide powder may have a density of between about 50% and about 55%. Magnesium oxide blocks may have a density of about 70%. In certain embodiments of fittings described herein, the electrical insulation inside the fitting after compaction or compression has a density that is at least within about 15%, within about 10%, or within about 5% of the density of the insulated conductors coupled to the fitting. In some embodiments described herein, the electrical insulation inside the fitting after compaction or compression has a higher density than the density of the insulated conductors coupled to the fitting. For example, the electrical insulation inside the fitting may have a density up to about 85%.

[0253] In certain embodiments described herein, a reinforcement sleeve or other strain relief is placed at or near the coupling of insulated conductors. FIG. 38 depicts an embodiment of reinforcement sleeves 328 on joined insulated conductors 212A, 212B. Reinforcement sleeves 328 provide strain relief to strengthen the coupling between the insulated conductors. Reinforcement sleeves 328 allow the joined insulated conductors to be spooled, unspooled, and pulled in tension for installation/removal in wellbores and/or in an installation conduit (for example, coiled tubing installation).

[0254] FIG. 39 depicts an exploded view of another embodiment of fitting 270 used for coupling three insulated conductors 212A, 212B, 212C. In certain embodiments, fitting 270 includes strain relief fitting 274, electrical bus 330, cylinder 332, and end cap 272. FIGS. 40-47 depict an embodiment of a method for installation of fitting 270 onto ends of insulated conductors 212A, 212B, 212C.

[0255] In FIG. 40, insulated conductors 212A, 212B, 212C are passed through longitudinal openings in strain relief fitting 274. Strain relief fitting 274 may be an end termination for insulated conductors 212A, 212B, 212C. After installation of insulated conductors 212A, 212B, 212C into strain relief fitting 274, insulated conductors 212A, 212B, 212C are aligned in the strain relief fitting and a portion of cores 214A, 214B, 214C protruding from the fitting are exposed. Cores 214A, 214B, 214C are exposed by removing end portions of the jackets and electrical insulators of insulated conductors 212A, 212B, 212C that extend through strain relief fitting 274.

[0256] In certain embodiments, end portions of cores 214A, 214B, 214C extending through strain relief fitting 274 are brazed to the strain relief fitting. Examples of materials for brazing include, but are not limited to, nickel brazes such as AWS 5.8 BNi-2 for low sulfur environments and AWS 5.8 BNi-5A for high sulfur environments. The brazing material may flow during brazing and fill and seal any gaps between cores 214A, 214B, 214C and strain relief fitting 274. Sealing the gaps prevent fluids from flowing into the inside of fitting 270. Brazing end portions of cores 214A, 214B, 214C to strain relief fitting 274 may allow for the cores to be spaced closer together and reduce the size of the strain relief fitting. Having a smaller strain relief fitting 274 may allow fitting 270 and the wellbore for the heater to be smaller in diameter as typically the end termination (fitting 270) is the determining factor in wellbore size. In some embodiments, the jackets of insulated conductors 212A, 212B, 212C are coupled to strain relief fitting 274. For example, the jackets may be welded (seam welded) to strain relief fitting 274.

[0257] In FIG. 41, first cylinder 332A is coupled to the end of strain relief fitting 274 with protruding cores 214A, 214B, 214C. First cylinder 332A may be welded into place on the end of strain relief fitting 274. First cylinder 332A may have a longitudinal length less than the length of protruding cores 214A, 214B, 214C. Thus, at least some portion of the cores may extend beyond the length of first cylinder 332A.

[0258] Following coupling of first cylinder 332A to strain relief fitting 274, electrically insulating material 256 is added into the cylinder to at least partially cover cores 214A, 214B, 214C, as shown in FIG. 42. Thus, at least a portion of the cores remain exposed above electrically insulating material 256. Electrically insulating material 256 may include powder and/or blocks of electrically insulating material (for example, magnesium oxide). In certain embodiments, electrically insulating material 256 is compacted inside first cylinder 332A. Electrically insulating material 256 may be hydraulically and/or mechanically compacted using a compaction tool. For example, force may be applied to the compaction tool using a piston of a hydraulic compaction machine. FIG. 48 depicts an embodiment of compaction tool 334A that can be used to compact electrically insulating material 256. Compaction tool 334A may have openings that allow the tool to fit over cores 214A, 214B, 214C while compacting electrically insulating material. After compaction in the above step and later described steps, the surface of electrically insulating material



**256** may be scarred. Scarring the surface of electrically insulating material **256** promotes bonding between layers of electrically insulating material during compaction of the layers.

**[0259]** In certain embodiments, after compaction of electrically insulating material **256** in cylinder **332A**, the portion cores **214A**, **214B**, **214C** that remain exposed are coupled to electrical bus **330**, as shown in FIG. **43**. Electrical bus **330** may be, for example, copper or another material suitable for electrically coupling cores **214A**, **214B**, **214C** together. In some embodiments, electrical bus **330** is welded to cores **214A**, **214B**, **214C**.

**[0260]** After coupling electrical bus **330** to cores **214A**, **214B**, **214C**, second cylinder **332B** may be coupled to first cylinder **332A** to form cylinder **332** around the exposed portions of the cores, as shown in FIG. **44**. In some embodiments, cylinder **332** is a single cylinder coupled to strain relief fitting **274** in a single step. In some embodiments, cylinder **332** includes two or more cylinders coupled to strain relief fitting **274** in multiple steps.

**[0261]** Second cylinder **332B** may be welded into place on the end first cylinder **332A**. As shown in FIG. **44**, completed cylinder **332** may have a longitudinal length that extends beyond the length of protruding cores **214A**, **214B**, **214C**. Thus, the cores may be contained within the boundaries of cylinder **332**.

**[0262]** Following formation of cylinder **332**, electrically insulating material **256** is added into the cylinder to a level that is about even with the top of cores **214A**, **214B**, **214C** and electrical bus **330**, as shown in FIG. **45**. In certain embodiments, electrically insulating material **256** at the level shown in FIG. **45** is compacted (for example, mechanically compacted). FIG. **49** depicts an embodiment of compaction tool **334B** that can be used to compact electrically insulating material **256**. Compaction tool **334B** may have an annulus that allows the tool to fit over electrical bus **330** and cores **214A**, **214B**, **214C** while compacting electrically insulating material.

**[0263]** Following compaction of material at the level of the top of electrical bus **330** and cores **214A**, **214B**, **214C**, additional electrically insulating material **256** is added into the cylinder to completely cover the electrical bus and the cores, as shown in FIG. **46**. Thus, the cores and electrical bus are substantially enclosed in electrically insulating material **256**. In certain embodiments, electrically insulating material **256** added into cylinder **332** to enclose the cores is compacted (for example, mechanically compacted). FIG. **50** depicts an embodiment of compaction tool **334C** that can be used for the final compaction of electrically insulating material **256**.

**[0264]** After final compaction of electrically insulating material **256**, end cap **272** is coupled (welded) to cylinder **332** to form fitting **270**. In some embodiments, end cap **272** is shaped to be used as a guide for guiding the installation of insulated conductors **212A**, **212B**, **212C** into a wellbore or a deployment device (for example, coiled tubing installation). In some embodiments, fitting **270** is used with insulated conductors operating as single phase heaters. For example, fitting **270** may be used with two insulated conductors coupled in a hairpin configuration with the insulated conductors coupled inside the fitting to have one insulated conductor as the supply conductor and one as the return conductor. Fitting **270** may also be used with one insulated conductor that uses the jacket of the insulated conductor to return current to the surface of the formation.

**[0265]** Mechanical compaction of electrically insulating material inside fitting **270** may produce a fitting with a higher mechanical breakdown voltage and/or operating temperature than fittings that are filled with electrically insulating material and vibrated for compaction of the electrically insulating material. For example, fitting **270** may be operable at voltages above about 6 kV and temperatures above about 1300° F. (about 700° C.). Because fitting **270** (the heater end termination) is operable at temperatures above about 700° C., the fitting may be usable in heated layers of a subsurface formation (for example, layers undergoing pyrolyzation). Thus, the end of a heater does not have to be placed in a cooler portion of the formation and the heater wellbore may not need to be drilled as deep into the formation or into different types of formation.

**[0266]** In certain embodiments, a failed three-phase heater is converted to single-phase operation using the same power supply. If, for example, one leg of a three-phase heater fails (ground-faults), the remaining two legs of the heater can be used as a single-phase heater with one leg being the supply conductor and the other leg being the return conductor. To convert the heater to single-phase operation, a high impedance resistor may be put between the neutral of the three-phase power supply (transformer) and the ground-faulted leg of the heater. The resistor is put in series with the ground-faulted leg of the heater. Because of the high resistance of the resistor, voltage is taken off the ground-faulted leg and put across the resistor. Thus, the resistor is used to disconnect power to the ground-faulted leg with little or no current passing through the ground-faulted leg. After the resistor is put between the neutral of the transformer and the ground-faulted leg, the remaining two legs of the heater operate in a single-phase mode with current going down one leg, passing through an end termination, and returning up the other leg.

**[0267]** During three-phase operation of the heater, the voltage at the end termination is near zero as the three legs operate 120° out of phase to balance the voltages between the three legs (voltage may not be exactly zero if there is any misbalance between the legs in the circuit). The end termination is typically isolated from ground for the three-phase heater. When the heater is converted to single-phase, the voltage on the end termination increases from the near zero voltage to about half the output voltage of the power supply. The voltage on the end termination increases during single-phase operation as current now passes linearly through the two operating legs with the end termination being at the halfway point of the circuit. As an example, during three-phase operation with a 480V power supply, each leg may be at about 277 V with about 0 V at the end termination at the bottom of the heater. After conversion to single-phase operation with the resistor in series with the ground-faulted leg, the legs operating in single-phase produce a voltage of about 240V at the end termination at the bottom of the heater.

**[0268]** Because voltages for heating subsurface or hydrocarbon containing formations to mobilization and/or pyrolyzation temperatures are typically very high due to the long lengths of the heaters (for example, about 1 kV or higher), the end termination needs to be able to operate at even higher voltages to be used for single-phase operation. Current end terminations used in subsurface heating are not typically operable at such high voltages. Because fitting **270**, however, is operable at voltages above 6 kV, fitting **270** allows a failed high voltage three-phase subsurface heater to be converted to a single-phase operation.



## Examples

[0269] Non-restrictive examples are set forth below.

## Samples Using Fitting Embodiment Depicted in FIG. 5

[0270] Samples using an embodiment of fitting **250** similar to the embodiment depicted in FIG. **5** were fabricated using a hydraulic compaction machine with a medium voltage insulated conductor suitable for use as a subsurface heater on one side of the fitting and a medium voltage insulated conductor suitable for use as an overburden cable on the other side of the fitting. Magnesium oxide was used as the electrically insulating material in the fittings. The samples were 6 feet long from the end of one mineral insulated conductor to the other. Prior to electrical testing, the samples were placed in a 6½ ft long oven and dried at 850° F. for 30 hours. Upon cooling to 150° F., the ends of the mineral insulated conductors were sealed using epoxy. The samples were then placed in an oven 3 feet long to heat up the samples and voltage was applied to the samples using a 5 kV (max) hipot (high potential) tester, which was able to measure both total and real components of the leakage current. Three thermocouples were placed on the samples and averaged for temperature measurement. The samples were placed in the oven with the fitting at the center of the oven. Ambient DC (direct current) responses and AC (alternating current) leakage currents were measured using the hipot tester.

[0271] A total of eight samples were tested at about 1000° F. and voltages up to 5 kV. One individual sample tested at 5 kV had a leakage current of 2.28 mA, and another had a leakage current of 6.16 mA. Three more samples with cores connected together in parallel were tested to 5 kV and had an aggregate leakage current of 11.7 mA, or 3.9 mA average leakage current per cable, and the three samples were stable. Three other samples with cores connected together in parallel were tested to 4.4 kV and had an aggregate leakage current of 4.39 mA, but they could not withstand a higher voltage without tripping the hipot tester (which occurs when leakage current exceeds 40 mA). One of the samples tested to 5 kV underwent further testing at ambient temperature to breakdown. Breakdown occurred at 11 kV.

[0272] A total of eleven more samples were fabricated for additional breakdown testing at ambient temperature. Three of the samples had insulated conductors prepared with the mineral insulation cut perpendicular to the jacket while the eight other samples had insulated conductors prepared with the mineral insulation cut at a 30° angle to the jacket. Of the first three samples with the perpendicular cut, the first sample withstood up to 10.5 kV before breakdown, the second sample withstood up to 8 kV before breakdown, while the third sample withstood only 500 V before breakdown, which suggested a flaw in fabrication of the third sample. Of the eight samples with the 30° cut, two samples withstood up to 10 kV before breakdown, three samples withstood between 8 kV and 9.5 kV before breakdown, and three samples withstood no voltage or less than 750 V, which suggested flaws in fabrication of these three samples.

## Samples Using Fitting Embodiment Depicted in FIG. 8B

[0273] Three samples using an embodiment of fitting **270** similar to the embodiment depicted in FIG. **8B** were made. The samples were made with two insulated conductors instead of three and were tested to breakdown at ambient temperature. One sample withstood 5 kV before breakdown,

a second sample withstood 4.5 kV before breakdown, and a third sample could withstand only 500 V, which suggested a flaw in fabrication.

## Samples Using Fitting Embodiment Depicted in FIGS. 14 and 15

[0274] Samples using an embodiment of fitting **298** similar to the embodiment depicted in FIGS. **14** and **15** were used to connect two insulated conductors with 1.2" outside diameters and 0.7" diameter cores. MgO powder (Muscle Shoals Minerals, Greenville, Tenn., U.S.A.) was used as the electrically insulating material. The fitting was made from 347H stainless steel tubing and had an outside diameter of 1.5" with a wall thickness of 0.125" and a length of 7.0". The samples were placed in an oven and heated to 1050° F. and cycled through voltages of up to 3.4 kV. The samples were found to viable at all the voltages but could not withstand higher voltages without tripping the hipot tester.

[0275] In a second test, samples similar to the ones described above were subjected to a low cycle fatigue-bending test and then tested electrically in the oven. These samples were placed in the oven and heated to 1050° F. and cycled through voltages of 350 V, 600 V, 800 V, 1000 V, 1200 V, 1400 V, 1600 V, 1900 V, 2200 V, and 2500 V. Leakage current magnitude and stability in the samples were acceptable up to voltages of 1900 V. Increases in the operating range of the fitting may be feasible using further electric field intensity reduction methods such as tapered, smoothed, or rounded edges in the fitting or adding electric field stress reducers inside the fitting.

[0276] It is to be understood the invention is not limited to particular systems described which may, of course, vary. It is also to be understood that the terminology used herein is for the purpose of describing particular embodiments only, and is not intended to be limiting. As used in this specification, the singular forms "a", "an" and "the" include plural referents unless the content clearly indicates otherwise. Thus, for example, reference to "a core" includes a combination of two or more cores and reference to "a material" includes mixtures of materials.

[0277] In this patent, certain U.S. patents, U.S. patent applications, and other materials (for example, articles) have been incorporated by reference. The text of such U.S. patents, U.S. patent applications, and other materials is, however, only incorporated by reference to the extent that no conflict exists between such text and the other statements and drawings set forth herein. In the event of such conflict, then any such conflicting text in such incorporated by reference U.S. patents, U.S. patent applications, and other materials is specifically not incorporated by reference in this patent.

[0278] Further modifications and alternative embodiments of various aspects of the invention will be apparent to those skilled in the art in view of this description. Accordingly, this description is to be construed as illustrative only and is for the purpose of teaching those skilled in the art the general manner of carrying out the invention. It is to be understood that the forms of the invention shown and described herein are to be taken as the presently preferred embodiments. Elements and materials may be substituted for those illustrated and described herein, parts and processes may be reversed, and certain features of the invention may be utilized independently, all as would be apparent to one skilled in the art after having the benefit of this description of the invention. Changes may be made in the elements described herein with-

out departing from the spirit and scope of the invention as described in the following claims.

What is claimed is:

**1.** A fitting for coupling an end of a first insulated conductor to an end of a second insulated conductor, comprising:

a first splice housing configured to be placed over the end of the first insulated conductor and coupled to the first insulated conductor, the first splice housing having an interior volume that tapers from a larger diameter at the end of the first splice housing facing the end of the first insulated conductor to a smaller diameter at or near the end of the first splice housing configured to be coupled to the first insulated conductor;

a second splice housing configured to be placed over the end of the second insulated conductor and coupled to the second insulated conductor, the second splice housing having an interior volume that tapers from a larger diameter at the end of the second splice housing facing the end of the second insulated conductor to a smaller diameter at or near the end of the second splice housing configured to be coupled to the second insulated conductor; and

a sleeve configured to be located over the end of the second insulated conductor and adjacent to the second splice housing, the sleeve being configured to be coupled to at least one of the splice housings;

wherein an interior volume of the fitting is configured to be substantially filled with electrically insulating material, and the interior volume of the fitting is configured to be reduced such that the electrically insulating material substantially filling the interior volume is compacted.

**2.** The fitting of claim **1**, wherein the electrically insulating material, when compacted, comprises substantially similar dielectric characteristics to electrical insulation in at least one of the two insulated conductors.

**3.** The fitting of claim **1**, wherein cores of the insulated conductors are configured to be coupled together in the interior volume of the fitting.

**4.** The fitting of claim **1**, wherein the interior volume of the fitting is configured to be reduced by forcing the first splice housing and the second splice housing together.

**5.** The fitting of claim **1**, wherein the electrically insulating material is configured to be compacted by a pressure of at least 25,000 pounds per square inch.

**6.** The fitting of claim **1**, wherein the electrically insulating material is configured to be compacted by application of vibration along with reduction of the interior volume of the fitting.

**7.** The fitting of claim **1**, wherein the fitting is configured to be centered between the ends of the insulated conductors.

**8.** The fitting of claim **1**, wherein the diameter of the interior volume of the first splice housing at or near the end configured to be coupled to the first insulated conductor is less than the outside diameter of the first insulated conductor.

**9.** The fitting of claim **1**, wherein the diameter of the interior volume of the first splice housing at or near the end configured to be coupled to the first insulated conductor is substantially the same as the outside diameter of the first insulated conductor.

**10.** The fitting of claim **1**, wherein the interior volume of the fitting is configured to be reduced by applying hydraulic pressure.

**11.** The fitting of claim **1**, wherein the interior volume of the fitting is configured to be reduced using a swaging method.

**12.** The fitting of claim **1**, wherein the electrically insulating material comprises material substantially similar to electrical insulation in at least one of the two insulated conductors.

**13.** The fitting of claim **1**, wherein the sleeve and the splice housings have geometries that reduce electrical field intensity at the interface of the fitting and the insulated conductor when the fitting is coupled to the insulated conductor.

**14.** The fitting of claim **1**, wherein at least one of the insulated conductors is configured to be used to heat a sub-surface formation.

**15.** The fitting of claim **1**, wherein at least one of the insulated conductors comprises electrical insulation that tapers at an angle from a jacket of the insulated conductor to a core of the insulated conductor inside the fitting.

**16.** The fitting of claim **1**, wherein the first splice housing is configured to be slid over the end of the first insulated conductor.

**17.** The fitting of claim **1**, wherein the second splice housing is configured to be slid over the end of the second insulated conductor.

**18.** A method for coupling an end of a first insulated conductor to an end of a second insulated conductor, comprising: placing a first splice housing over the end of the first insulated conductor;

placing a second splice housing over the end of the second insulated conductor;

placing a sleeve over the second insulated conductor and the second splice housing such that the sleeve is substantially adjacent to the second splice housing and located over the end of the second insulated conductor;

coupling the first splice housing to the first insulated conductor;

bringing the second splice housing and the sleeve together with the first splice housing such that the splice housings and the sleeve form a fitting with an interior volume;

substantially filling at least a majority of the interior volume of the fitting with electrically insulating material;

reducing the interior volume of the fitting such that the electrically insulating material substantially filling the interior volume is compacted;

coupling the sleeve to the second splice housing; and

coupling the second splice housing to the second insulated conductor.

**19.** The method of claim **18**, wherein the first and second splice housings have interior volumes that taper from larger diameters at or near the ends of the splice housings facing each other to smaller diameters at or near the ends of the splice housings coupled to the insulated conductors.

**20.** The method of claim **18**, further comprising coupling a core of the first insulated conductor to a core of the second insulated conductor.

**21.** The method of claim **18**, further comprising reducing the interior volume of the fitting by forcing the first splice housing and the second splice housing together.

**22.** The method of claim **18**, further comprising reducing the interior volume of the fitting after the second splice housing is coupled to the second insulated conductor.

**23.** The method of claim **18**, wherein the compacted electrically insulating material comprises substantially similar

dielectric characteristics to electrical insulation in at least one of the two insulated conductors.

**24.** The method of claim **18**, further comprising installing the insulated conductors and the fitting in a subsurface formation.

**25.** The method of claim **18**, further comprising applying electrical current to the insulated conductors, and providing heat from at least one of the insulated conductors to at least a portion of a subsurface formation.

**26.** The method of claim **18**, further comprising compacting the electrically insulating material with a pressure of at least 25,000 pounds per square inch.

**27.** The method of claim **18**, further comprising sliding the first splice housing over the end of the first insulated conductor, sliding the second splice housing over the end of the second insulated conductor, and sliding the sleeve over the second insulated conductor and the second splice housing.

**28.** A fitting for coupling ends of insulated conductors, comprising:

a sleeve configured to couple an end of a jacket of a first insulated conductor to an end of a jacket of a second insulated conductor, wherein the sleeve is located between end portions of the insulated conductors, at least one of the ends of the sleeve being angled relative to the longitudinal axis of the sleeve;

the sleeve having a longitudinal opening that extends along the length of the sleeve substantially the distance between end portions of the jackets of the insulated conductors, wherein the longitudinal opening is configured to allow electrically insulating material to be filled into the sleeve.

**29.** The fitting of claim **28**, wherein both ends of the sleeve are angled relative to the longitudinal axis of the sleeve.

**30.** The fitting of claim **28**, wherein the sleeve is substantially parallelogram shaped.

**31.** The fitting of claim **28**, wherein the sleeve is configured to be centered between the end portions of the insulated conductors.

**32.** The fitting of claim **28**, wherein the end portions of cores of the insulated conductors are configured to be coupled together inside the sleeve.

**33.** The fitting of claim **28**, wherein the electrically insulating material comprises material substantially similar to electrical insulation in at least one of the two insulated conductors.

**34.** The fitting of claim **28**, further comprising at least one ring inside the sleeve configured to reduce electrical fields in the sleeve.

**35.** The fitting of claim **28**, wherein the coupling joint is configured to be operable at voltages above 1000 V and temperatures at or near 700° C.

**36.** The fitting of claim **28**, wherein at least one of the insulated conductors comprises electrical insulation that tapers at an angle from a jacket of the insulated conductor to a core of the insulated conductor inside the fitting.

**37.** A method for coupling ends of two insulated conductors, comprising:

placing a sleeve over end portions of one of the two insulated conductors to be coupled;

coupling end portions of cores of the two insulated conductors that extend between the two insulated conductors;

placing the sleeve over end portions of the two insulated conductors such that the sleeve covers the coupling

between the end portions of the cores, wherein at least one of the ends of the sleeve is angled relative to the longitudinal axis of the sleeve;

coupling the sleeve to jackets of the end portions of the two insulated conductors;

filling the interior of the sleeve with electrically insulating material through a longitudinal opening in the sleeve that extends along the length of the sleeve substantially the distance between the end portions of the cores; and covering the longitudinal opening such that the electrically insulating material is contained within the sleeve.

**38.** The method of claim **37**, wherein both ends of the sleeve are angled relative to the longitudinal axis of the sleeve.

**39.** The method of claim **37**, wherein the sleeve is substantially parallelogram shaped.

**40.** The method of claim **37**, further comprising centering the sleeve between the end portions of the insulated conductors.

**41.** The method of claim **37**, further comprising coupling the end portions of the cores of the two insulated conductors by welding together the portions.

**42.** The method of claim **37**, further comprising coupling the sleeve to the end portions of the jackets of the two insulated conductors by welding the sleeve to the end portions.

**43.** The method of claim **37**, wherein the electrically insulating material comprises material substantially similar to electrical insulation in at least one of the insulated conductors.

**44.** The method of claim **37**, further comprising vibrating at least the sleeve during filling of the electrically insulating material into the sleeve, and applying a compressive pressure to the electrically insulating material prior to covering the longitudinal opening.

**45.** The method of claim **37**, further comprising installing the insulated conductors in a subsurface formation.

**46.** The method of claim **37**, further comprising applying electrical current to the insulated conductors, and providing heat from at least one of the insulated conductors to at least a portion of a subsurface formation.

**47.** The method of claim **37**, wherein the coupling joint is configured to be operable at voltages above 1000 V and temperatures at or near 700° C.

**48.** A fitting for coupling an end of a first insulated conductor to an end of a second insulated conductor, comprising:

a sleeve configured to be placed over the end of the first insulated conductor and the end of the second insulated conductor; and

a core coupling located inside the sleeve, the core coupling being configured to fit around an end of a core of the first insulated conductor and an end of a core of the second insulated conductor;

wherein an interior volume of the sleeve is configured to be at least partially filled with electrically insulating material, and the electrically insulating material is configured to be compressed with an end portion of an electrical insulator in the first insulated conductor and an end portion of an electrical insulator in the second insulated conductor when the fitting is coupled to the insulated conductors.

**49.** The fitting of claim **48**, wherein the insulated conductors are configured to be pressed into the fitting and compact the electrically insulating material into the electrical insulators of the insulated conductors.

50. The fitting of claim 48, wherein cores of the insulated conductors are configured to be pressed together in the core coupling when the ends of the insulated conductors are moved into the fitting.

51. The fitting of claim 48, wherein the sleeve comprises one or more grooves to inhibit electrically insulating material from moving out of the sleeve.

52. The fitting of claim 48, wherein at least one of the insulated conductors comprises electrical insulation that tapers at an angle from a jacket of the insulated conductor to a core of the insulated conductor inside the fitting.

53. The fitting of claim 48, wherein the core coupling comprises a tapered inside diameter with a smaller diameter at the center of the coupling to enhance contact with the cores of the insulated conductors.

54. The fitting of claim 48, wherein the core coupling comprises one or more grooves on the inside diameter of the coupling to enhance contact with the cores of the insulated conductors.

55. The fitting of claim 48, wherein the electrically insulating material is configured to be compacted by a pressure of at least 25,000 pounds per square inch.

56. The fitting of claim 48, wherein the electrically insulating material is configured to be compacted by application of vibration along with reduction of an interior volume of the fitting.

57. The fitting of claim 48, wherein the fitting is configured to be centered between the ends of the insulated conductors.

58. The fitting of claim 48, wherein an interior volume of the fitting is configured to be reduced by applying hydraulic pressure.

59. The fitting of claim 48, wherein an interior volume of the fitting is configured to be reduced using a swaging method.

60. The fitting of claim 48, wherein the electrically insulating material comprises material substantially similar to electrical insulation in at least one of the two insulated conductors.

61. The fitting of claim 48, wherein at least one of the insulated conductors is configured to be used to heat a sub-surface formation.

62. The fitting of claim 48, wherein the sleeve is configured to be placed over the end of the first insulated conductor and the end of the second insulated conductor.

63. The fitting of claim 48, wherein the core coupling is configured to tightly fit around the end of the core of the first insulated conductor and the end of the core of the second insulated conductor.

64. A method for coupling ends of two insulated conductors, comprising:

coupling an end portion of a core of a first insulated conductor to an end portion of a core of a second insulated conductor, wherein at least a part of the end portions of the cores are at least partially exposed;

placing electrically insulating material over the exposed portions of the cores;

placing an inner sleeve over end portions of the two insulated conductors to be coupled, wherein the end portions comprise the exposed portions of the cores;

placing an outer sleeve over the inner sleeve, wherein there is an open volume between the inner sleeve and the outer sleeve, and the outer sleeve comprises a port;

coupling the inner sleeve and the outer sleeve to jackets of the insulated conductors; and

providing a pressurized fluid into the open volume between the inner sleeve and the outer sleeve to compress the inner sleeve into the electrically insulating material and compact the electrically insulating material.

65. The method of claim 64, further comprising providing the pressurized fluid into the open volume through the port in the outer sleeve.

66. The method of claim 64, further comprising placing the inner sleeve and the outer sleeve in a pressure cuff prior to providing the pressurizing fluid.

67. The method of claim 64, wherein the pressurized fluid is provided at a pressure of at least a minimum pressure selected to provide a desired amount of compaction of the electrically insulating material.

68. The method of claim 64, wherein the outer sleeve has a length and is positioned such that the length of the outer sleeve substantially matches the gap between non-exposed portions of the insulated conductors.

69. The method of claim 64, wherein at least one of the insulated conductors comprises a core at least partially surrounded by an electrical insulator and an outer jacket, the outer jacket at least partially surrounding the electrical insulator.

70. The method of claim 64, further comprising exposing the core of at least one of the insulated conductors by removing a portion of an electrical insulator and an outer jacket surrounding the core at an end of at least one of the insulated conductors.

71. The method of claim 64, wherein the electrically insulating material comprises blocks of electrically insulating material and/or electrically insulating material powder.

72. The method of claim 64, wherein the electrically insulating material comprises blocks of electrically insulating material that have inner surfaces shaped to match the outer surfaces of the end portions of the at least partially exposed cores.

73. The method of claim 64, wherein the inner sleeve comprises an alignment ridge.

74. The method of claim 73, further comprising aligning the port on the outer sleeve with the alignment ridge of the inner sleeve.

75. The method of claim 64, further comprising coupling the inner sleeve and the outer sleeve to jackets of the insulated conductors such that the ends of the sleeves are substantially sealed to the jackets.

76. The method of claim 64, further comprising coupling one or more strain relief sleeves to at least one of the insulated conductors at or near the outer sleeve.

77. The method of claim 64, further comprising forming at least one chamfer on an end portion of at least one of the insulated conductors.

78. The method of claim 64, further comprising the electrically insulating material inside the inner sleeve such that the electrically insulating material has a density that is at least within about 15% of the density of at least one of the insulated conductors.

79. A fitting for coupling ends of insulated conductors, comprising:

an inner sleeve placed over end portions of a first insulated conductor and a second insulated conductor during use, wherein the inner sleeve is placed over at least partially exposed end portions of cores of the insulated conduc-

- tors and electrically insulating material is placed over the exposed end portions of the cores inside the sleeve during use; and
- an outer sleeve comprising a port placed over the inner sleeve, wherein there is an open volume between the inner sleeve and the outer sleeve;
- wherein the inner sleeve and the outer sleeve are coupled to jackets of the insulated conductors during use; and
- wherein the inner sleeve is compressed during use by a pressurizing fluid provided into the open volume between the inner sleeve and the outer sleeve, and wherein compression of the inner sleeve compacts the electrically insulating material inside the inner sleeve.
- 80.** The fitting of claim **79**, wherein the inner sleeve and the outer sleeve are centered between the end portions of the insulated conductors during use.
- 81.** The fitting of claim **79**, wherein the end portions of cores of the insulated conductors are coupled together inside the sleeve.
- 82.** The fitting of claim **79**, wherein the electrically insulating material comprises material substantially similar to electrical insulation in at least one of the two insulated conductors.
- 83.** The fitting of claim **79**, wherein the pressurized fluid is provided into the open volume through the port in the outer sleeve during use.
- 84.** The fitting of claim **79**, wherein the pressurized fluid is provided at a pressure of at least a minimum pressure selected to provide a desired amount of compaction of the electrically insulating material during use.
- 85.** The fitting of claim **79**, wherein the outer sleeve has a length and is positioned such that the length of the outer sleeve substantially matches the gap between non-exposed portions of the insulated conductors.
- 86.** The fitting of claim **79**, wherein at least one of the insulated conductors comprises a core at least partially surrounded by an electrical insulator and an outer jacket, the outer jacket at least partially surrounding the electrical insulator.
- 87.** The fitting of claim **79**, wherein at least one of the insulated conductors comprises a core that has been exposed by removing a portion of an electrical insulator and an outer jacket surrounding the core at an end of at least one of the insulated conductors.
- 88.** The fitting of claim **79**, wherein the electrically insulating material comprises blocks of electrically insulating material and/or electrically insulating material powder.
- 89.** The fitting of claim **79**, wherein the electrically insulating material comprises blocks of electrically insulating material that have inner surfaces shaped to match the outer surfaces of the end portions of the at least partially exposed cores.
- 90.** The fitting of claim **79**, wherein the inner sleeve comprises an alignment ridge.
- 91.** The fitting of claim **90**, wherein the port on the outer sleeve is aligned with the alignment ridge of the inner sleeve.
- 92.** The fitting of claim **79**, wherein the inner sleeve and the outer sleeve are coupled to jackets of the insulated conductors such that the ends of the sleeves are substantially sealed to the jackets.
- 93.** The fitting of claim **79**, wherein the fitting is configured to be operable at voltages above 1000 V and temperatures at or near 700° C.
- 94.** The fitting of claim **79**, wherein the electrically insulating material inside the inner sleeve is compacted such that the electrically insulating material has a density that is at least within about 15% of the density of at least one of the insulated conductors.
- 95.** A method for coupling ends of two insulated conductors, comprising:
- coupling an end portion of a core of a first insulated conductor to an end portion of a core of a second insulated conductor, wherein at least a part of the end portions of the cores are at least partially exposed;
  - placing electrically insulating material over the exposed portions of the cores;
  - placing a sleeve over end portions of the two insulated conductors to be coupled, the sleeve comprising one or more raised portions, wherein the end portions comprise the exposed portions of the cores;
  - coupling the sleeve to jackets of the insulated conductors; and
  - mechanically compressing the raised portions of the sleeve until the raised portions of the sleeve have a diameter substantially similar to a remainder of the sleeve, wherein the compression of the raised portions of the sleeve compacts the electrically insulating material inside the sleeve.
- 96.** The method of claim **95**, wherein mechanically compressing the raised portions of the sleeve comprises radially compressing the raised portions.
- 97.** The method of claim **95**, wherein the sleeve has a length and is positioned such that the length of the sleeve substantially matches the gap between non-exposed portions of the insulated conductors.
- 98.** The method of claim **95**, wherein at least one of the insulated conductors comprises a core at least partially surrounded by an electrical insulator and an outer jacket, the outer jacket at least partially surrounding the electrical insulator.
- 99.** The method of claim **95**, further comprising exposing the core of at least one of the insulated conductors by removing a portion of an electrical insulator and an outer jacket surrounding the core at an end of at least one of the insulated conductors.
- 100.** The method of claim **95**, wherein the electrically insulating material comprises blocks of electrically insulating material and/or electrically insulating material powder.
- 101.** The method of claim **95**, wherein the electrically insulating material comprises blocks of electrically insulating material that have inner surfaces shaped to match the outer surfaces of the end portions of the at least partially exposed cores.
- 102.** The method of claim **95**, further comprising coupling one or more strain relief sleeves to at least one of the insulated conductors at or near the outer sleeve.
- 103.** The method of claim **95**, wherein the sleeve is welded to the jackets of the insulated conductors.
- 104.** The method of claim **95**, further comprising providing pressure on the sleeve to further compress the sleeve into the compacted powder material and further compact the powder material.
- 105.** The method of claim **95**, further comprising forming at least one chamfer on an end portion of at least one of the insulated conductors.
- 106.** The method of claim **95**, further comprising the electrically insulating material inside the sleeve such that the

electrically insulating material has a density that is at least within about 15% of the density of at least one of the insulated conductors.

**107.** A method for coupling ends of cores of three insulated conductors, comprising:

placing an end termination over end portions of the three insulated conductors, wherein the end termination comprises three separate openings that pass through the end termination longitudinally, each of the insulated conductors passing through one of the openings with end portions of the insulated conductors protruding from one side of the end termination;

exposing cores of the end portions of the insulated conductors protruding from the end termination by removing jackets and electrical insulation from the end portions; coupling the ends of the jackets of the insulated conductors to the end termination;

coupling a cylinder to the side of the end termination from which the end portions of the insulated conductors protrude;

filling the cylinder with electrically insulating material such that at least a portion of the cores remain exposed; coupling an electrical bus to the exposed portion of the cores;

filling the cylinder with electrically insulating material such that the cores are substantially enclosed in the electrically insulating material; and

coupling an end cap to the cylinder to seal off the interior of the cylinder.

**108.** The method of claim **107**, further comprising compacting the electrically insulating material in the cylinder after filling the cylinder with electrically insulating material such that at least the portion of the cores remain exposed.

**109.** The method of claim **107**, further comprising compacting the electrically insulating material in the cylinder after filling the cylinder with electrically insulating material such that the cores are substantially enclosed in the electrically insulating material.

**110.** The method of claim **107**, wherein the cylinder comprises two or more cylinder portions coupled together, and wherein at least a first cylinder portion has a length less than the length of the exposed cores such that at least some portion of the cores extends beyond the first cylinder portion.

**111.** The method of claim **107**, wherein the cylinder comprises two cylinder portions coupled together, the method further comprising coupling a second cylinder portion to a first cylinder portion, wherein the second cylinder portion has a length that extends beyond the length of the exposed cores above the first cylinder portion.

**112.** The method of claim **107**, further comprising filling the cylinder with electrically insulating material such that the cores are substantially enclosed in the electrically insulating material by:

filling the cylinder with some electrically insulating material;

compacting the electrically insulating material to a first level;

filling the cylinder with additional electrically insulating material; and

compacting the electrically insulating material to a second level that substantially encloses the cores in the electrically insulating material.

**113.** The method of claim **107**, wherein the electrical bus electrically couples the three cores together.

**114.** The method of claim **107**, wherein the end cap comprises a guide for guiding installation of the insulated conductors into a wellbore.

**115.** The method of claim **107**, wherein the electrically insulating material comprises magnesium oxide and/or boron nitride.

**116.** A fitting for coupling ends of cores of three insulated conductors, comprising:

an end termination placed over end portions of the three insulated conductors, wherein the end termination comprises three separate openings that pass through the end termination longitudinally, each of the insulated conductors passing through one of the openings with end portions of the insulated conductors protruding from one side of the end termination, exposed cores of the end portions of the insulated conductors protruding from the end termination;

a cylinder coupled to the side of the end termination from which the end portions of the insulated conductors protrude;

an electrical bus coupled to the exposed portion of the cores;

electrically insulating material filling the cylinder such that the cores are substantially enclosed in the electrically insulating material; and

an end cap coupled to the cylinder to seal off the interior of the cylinder.

**117.** The fitting of claim **116**, wherein the cylinder comprises two or more cylinder portions coupled together, and wherein at least a first cylinder portion has a length less than the length of the exposed cores such that at least some portion of the cores extends beyond the first cylinder portion.

**118.** The fitting of claim **116**, wherein the cylinder comprises two cylinder portions coupled together, wherein the second cylinder portion has a length that extends beyond the length of the exposed cores above the first cylinder portion.

**119.** The fitting of claim **116**, wherein the electrical bus electrically couples the three cores together.

**120.** The fitting of claim **116**, wherein the end cap comprises a guide for guiding installation of the insulated conductors into a wellbore.

**121.** The fitting of claim **116**, wherein the electrically insulating material comprises magnesium oxide and/or boron nitride.

**122.** A method for converting a three-phase heater with a ground-faulted leg to single-phase operation using a three-phase power supply, comprising:

placing a resistor between a neutral of the power supply and the ground-faulted leg of the three-phase heater such that little or no current flows through the ground-faulted leg, wherein the resistor is in series with the ground-faulted leg;

providing electrical power to the remaining two legs of the heater from the power supply such that the two legs operate as a single phase heater with current running into the formation through one leg and returning on the other leg, wherein the two legs are coupled in the subsurface using a fitting comprising:

an end termination placed over end portions of the three insulated conductors, wherein the end termination comprises three separate openings that pass through the end termination longitudinally, each of the insulated conductors passing through one of the openings with end portions of the insulated conductors protrud-

ing from one side of the end termination, exposed cores of the end portions of the insulated conductors protruding from the end termination;

a cylinder coupled to the side of the end termination from which the end portions of the insulated conductors protrude;

an electrical bus coupled to the exposed portion of the cores;

electrically insulating material filling the cylinder such that the cores are substantially enclosed in the electrically insulating material; and

an end cap coupled to the cylinder to seal off the interior of the cylinder.

**123.** A fitting for coupling an end of a first insulated conductor to an end of a second insulated conductor, comprising:

a sleeve configured to be placed over the end of the first insulated conductor and the end of the second insulated conductor; and

a core coupling located inside the sleeve, the core coupling being configured to fit around an end of a core of the first insulated conductor and an end of a core of the second insulated conductor, wherein the cores of the insulated conductors are configured to be moved together in the core coupling when the ends of the insulated conductors are moved into the fitting, and wherein the ends of the cores have a selected clearance between them;

wherein an interior volume of the sleeve is configured to be at least partially filled with electrically insulating material, and the electrically insulating material is configured to be compressed with an end portion of an electrical insulator in the first insulated conductor and an end portion of an electrical insulator in the second insulated conductor when the fitting is coupled to the insulated conductors.

**124.** The fitting of claim **123**, wherein the insulated conductors are configured to be pressed into the fitting and compact the electrically insulating material into the electrical insulators of the insulated conductors.

**125.** The fitting of claim **123**, wherein the selected clearance is between about 1 mil and about 10 mils.

**126.** The fitting of claim **123**, wherein the selected clearance is between about 2 mils and about 5 mils.

**127.** The fitting of claim **123**, wherein at least one of the insulated conductors comprises electrical insulation that

tapers at an angle from a jacket of the insulated conductor to a core of the insulated conductor inside the fitting.

**128.** The fitting of claim **123**, wherein at least one of the insulated conductors comprises electrical insulation that has a convex shaped end portion.

**129.** The fitting of claim **123**, wherein the electrically insulating material comprises at least one concave shaped end portion at or near the edges of the core coupling.

**130.** The fitting of claim **123**, wherein the core coupling comprises a tapered inside diameter with a smaller diameter at the center of the coupling to enhance contact with the cores of the insulated conductors.

**131.** The fitting of claim **123**, wherein the electrically insulating material is configured to be compacted by a pressure of between about 2800 psi (19,300 kPa) and about 3000 psi (about 20,680 kPa).

**132.** The fitting of claim **123**, wherein the fitting is configured to be centered between the ends of the insulated conductors.

**133.** The fitting of claim **123**, wherein an interior volume of the fitting is configured to be reduced by applying hydraulic pressure.

**134.** The fitting of claim **123**, wherein the electrically insulating material comprises material substantially similar to electrical insulation in at least one of the two insulated conductors.

**135.** The fitting of claim **123**, wherein at least one of the insulated conductors is configured to be used to heat a sub-surface formation.

**136.** The fitting of claim **123**, wherein the sleeve is configured to be placed over the end of the first insulated conductor and the end of the second insulated conductor.

**137.** The fitting of claim **123**, wherein the core coupling is configured to tightly fit around the end of the core of the first insulated conductor and the end of the core of the second insulated conductor.

**138.** The fitting of claim **123**, wherein the electrically insulating material inside the sleeve is compressed such that the electrically insulating material has a density that is at least within about 15% of the density of at least one of the insulated conductors.

\* \* \* \* \*