



(12) **EUROPEAN PATENT APPLICATION**

(88) Date of publication A3:
09.08.2000 Bulletin 2000/32

(51) Int. Cl.⁷: **B65G 47/90**

(43) Date of publication A2:
19.07.2000 Bulletin 2000/29

(21) Application number: **00201222.7**

(22) Date of filing: **09.06.1995**

(84) Designated Contracting States:
AT BE CH DE DK FR GB IE IT LI NL SE

(30) Priority: **10.06.1994 US 258557**

(62) Document number(s) of the earlier application(s) in accordance with Art. 76 EPC:
95303995.5 / 0 686 585

(71) Applicant:
JOHNSON & JOHNSON VISION PRODUCTS, INC.
Jacksonville, Florida 32216 (US)

(72) Inventors:
• **Martin, Wallace Anthony**
Orange Park, Florida 32065 (US)
• **Edwards, Russell James**
Jacksonville, Florida 32258 (US)
• **Gundersen, Borge Peter**
3080 Tikob (DK)

- **Keene, Darren Scott**
Jacksonville, Florida 32257 (US)
- **Kindt-Larsen, Ture**
2840 Holte (DK)
- **Lepper, John Mark**
West Jacksonville, Florida 32257 (US)
- **Madsen, Niels Jorgen**
3450 Allerod (DK)
- **Ravn, Thomas Christian**
3000 Helsingør (DK)
- **Wang, Daniel Tsu-Fang**
Jacksonville, Florida 32225 (US)
- **Holley, William Edward**
Ponte Vedra Beach, Florida 32087 (US)

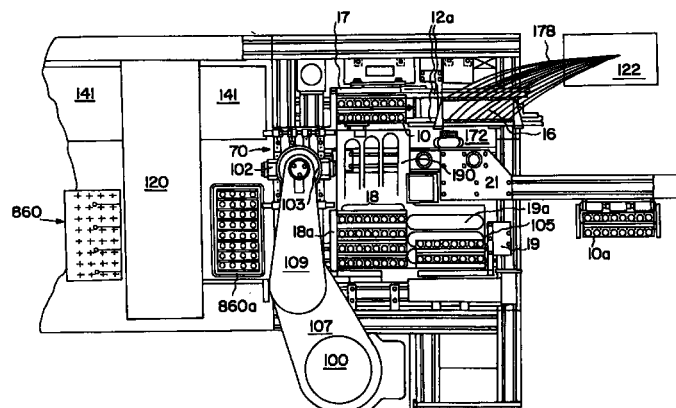
(74) Representative:
Mercer, Christopher Paul et al
Carpmaels & Ransford
43, Bloomsbury Square
London WC1A 2RA (GB)

(54) **Automated apparatus and method for preparing contact lenses for inspection and packaging**

(57) An automated apparatus for automatically inspecting and packaging contact lenses (8) in a contact lens fabrication facility comprises an inspection pallet (10), an automatic lens inspection station (15), an artic-

ulated robotic transfer device (200), a controller and a second robotic transfer device (300).

FIG. 1





European Patent
Office

EUROPEAN SEARCH REPORT

Application Number
EP 00 20 1222

DOCUMENTS CONSIDERED TO BE RELEVANT			
Category	Citation of document with indication, where appropriate, of relevant passages	Relevant to claim	CLASSIFICATION OF THE APPLICATION (Int.Cl.7)
A	EP 0 183 324 A (I.O.R. INDUSTRIE OTTICHE RIUNITE) 4 June 1986 (1986-06-04) * the whole document *	1-9	B65G47/90 B29D11/00
A	EP 0 453 231 A (JOHNSON & JOHNSON VISION) 23 October 1991 (1991-10-23) * column 11, line 5 - line 55; claims 6-18 *	10-15	
			TECHNICAL FIELDS SEARCHED (Int.Cl.7)
			B29D B65G
The present search report has been drawn up for all claims			
Place of search THE HAGUE		Date of completion of the search 20 June 2000	Examiner Mucs, A
CATEGORY OF CITED DOCUMENTS X : particularly relevant if taken alone Y : particularly relevant if combined with another document of the same category A : technological background O : non-written disclosure P : intermediate document T : theory or principle underlying the invention E : earlier patent document, but published on, or after the filing date D : document cited in the application L : document cited for other reasons & : member of the same patent family, corresponding document			

EPO FORM 1503 03 82 (P04C01)

**ANNEX TO THE EUROPEAN SEARCH REPORT
ON EUROPEAN PATENT APPLICATION NO.**

EP 00 20 1222

This annex lists the patent family members relating to the patent documents cited in the above-mentioned European search report. The members are as contained in the European Patent Office EDP file on The European Patent Office is in no way liable for these particulars which are merely given for the purpose of information.

20-06-2000

Patent document cited in search report		Publication date	Patent family member(s)	Publication date
EP 183324	A	04-06-1986	IT 1177344	B 26-08-1987
			AU 5049685	A 05-06-1986
			JP 61132309	A 19-06-1986
EP 453231	A	23-10-1991	US 5080839	A 14-01-1992
			AT 135627	T 15-04-1996
			AU 643264	B 11-11-1993
			AU 7500491	A 24-10-1991
			BR 9101539	A 03-12-1991
			CA 2040520	A, C 18-10-1991
			CA 2149020	A 18-10-1991
			CA 2238144	A 18-10-1991
			CA 2238146	A 18-10-1991
			CA 2238153	A 18-10-1991
			CN 1058104	A, B 22-01-1992
			CS 9101060	A 19-02-1992
			CZ 9603176	A 15-04-1998
			DE 69118009	D 25-04-1996
			DE 69118009	T 02-10-1996
			DK 453231	T 15-04-1996
			EP 0645235	A 29-03-1995
			ES 2084769	T 16-05-1996
			FI 911835	A 18-10-1991
			GR 91100141	A, B 30-07-1992
			HK 147996	A 09-08-1996
			HU 3794	A 30-12-1996
			IE 74141	B 02-07-1997
			IL 97841	A 19-01-1996
			IL 113689	A 15-04-1997
			IL 113690	A 10-06-1997
			IL 115217	A 15-07-1998
JP 4227643	A 17-08-1992			
KR 139200	B 01-05-1998			
MX 174204	B 27-04-1994			
NO 911339	A 18-10-1991			
NZ 237679	A 26-08-1992			
PT 97378	A 31-12-1991			
RU 2050285	C 20-12-1995			
ZA 9102849	A 30-12-1992			