



- (51) **International Patent Classification:**
H04B 7/06 (2006.01) *H04B 7/0408* (2017.01)
- (21) **International Application Number:**
PCT/US2020/039266
- (22) **International Filing Date:**
24 June 2020 (24.06.2020)
- (25) **Filing Language:** English
- (26) **Publication Language:** English
- (30) **Priority Data:**
62/865,450 24 June 2019 (24.06.2019) US
- (71) **Applicant:** AVX ANTENNA, INC. D/B/A
ETHERTRONICS, INC. [US/US]; 5501 Oberlin Drive,
Suite 100, San Diego, California 92121 (US).
- (72) **Inventor:** PAJONA, Olivier; c/o AVX Antenna, Inc. d/
b/a Ethertronics, Inc., 5501 Oberlin Drive, Suite 100, San
Diego, California 92121 (US).
- (74) **Agent:** WORKMAN, J. Parks; DORITY & MANNING,
P.A., P. O. BOX 1449, GREENVILLE, South Carolina
29602-1449 (US).

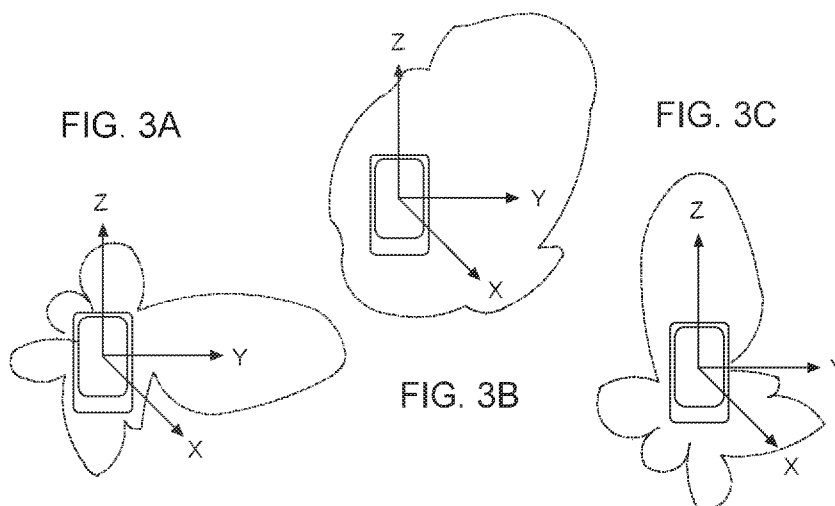
(81) **Designated States** (unless otherwise indicated, for every kind of national protection available): AE, AG, AL, AM, AO, AT, AU, AZ, BA, BB, BG, BH, BN, BR, BW, BY, BZ, CA, CH, CL, CN, CO, CR, CU, CZ, DE, DJ, DK, DM, DO, DZ, EC, EE, EG, ES, FI, GB, GD, GE, GH, GM, GT, HN, HR, HU, ID, IL, IN, IR, IS, JO, JP, KE, KG, KH, KN, KP, KR, KW, KZ, LA, LC, LK, LR, LS, LU, LY, MA, MD, ME, MG, MK, MN, MW, MX, MY, MZ, NA, NG, NI, NO, NZ, OM, PA, PE, PG, PH, PL, PT, QA, RO, RS, RU, RW, SA, SC, SD, SE, SG, SK, SL, ST, SV, SY, TH, TJ, TM, TN, TR, TT, TZ, UA, UG, US, UZ, VC, VN, WS, ZA, ZM, ZW.

(84) **Designated States** (unless otherwise indicated, for every kind of regional protection available): ARIPO (BW, GH, GM, KE, LR, LS, MW, MZ, NA, RW, SD, SL, ST, SZ, TZ, UG, ZM, ZW), Eurasian (AM, AZ, BY, KG, KZ, RU, TJ, TM), European (AL, AT, BE, BG, CH, CY, CZ, DE, DK, EE, ES, FI, FR, GB, GR, HR, HU, IE, IS, IT, LT, LU, LV, MC, MK, MT, NL, NO, PL, PT, RO, RS, SE, SI, SK, SM, TR), OAPI (BF, BJ, CF, CG, CI, CM, GA, GN, GQ, GW, KM, ML, MR, NE, SN, TD, TG).

Published:

— with international search report (Art. 21(3))

(54) **Title:** BEAM FORMING AND BEAM STEERING USING ANTENNA ARRAYS



(57) **Abstract:** Antenna systems are provided. In one example, an antenna system includes a first antenna array having a plurality of first antenna elements. The first antenna elements are operable to communicate one or more signals via a communication protocol in a multiple input multiple output (MIMO) mode. The antenna system includes a second antenna array having a plurality of second antenna elements. The antenna system includes a control circuit configured to control operation of one or more of the second antenna elements of the second antenna array in a first mode or a second mode. In the first mode, one or more of the second antenna elements are configured to provide a secondary function to support communication of the first antenna elements via the communication protocol. In a second mode, one or more of the second antenna elements are configured to support beam forming or beam steering of the first antenna elements.



BEAM FORMING AND BEAM STEERING USING ANTENNA ARRAYS

PRIORITY CLAIM

[0001] The present application claims the benefit of priority of U.S. Provisional Application Serial No. 62/865,450, titled “Beam Forming and Beam Steering Using Antenna Arrays,” filed on June 24, 2019, which is incorporated herein by reference.

FIELD

[0002] The present disclosure relates generally to antenna systems for wireless communication systems, such as antenna system for use in 5G cellular communication systems.

BACKGROUND

[0003] Electronic devices such as laptops, tablets, smartphones, IoT (Internet of Things) devices, etc. can be operable to communicate over cellular networks. Cellular networks operating at 4G are in abundant use and have recently evolved to provide moderate to high data-rate transmissions along with voice communications in a stable and reliable network over large regions. Communication systems are transitioning to 5G protocol and networks. 5G networks can provide substantially higher data-rates and lower latency, and can be applicable for voice, data, and IoT applications.

SUMMARY

[0004] Aspects and advantages of embodiments of the present disclosure will be set forth in part in the following description, or may be learned from the description, or may be learned through practice of the embodiments.

[0005] One example aspect of the present disclosure is directed to an antenna system. The antenna system includes a first antenna array having a plurality of first antenna elements. The first antenna elements are operable to communicate one or more signals via a communication protocol in a multiple input multiple output (MIMO) mode. The antenna system includes a second antenna array having a plurality of second antenna elements. The antenna system includes a control circuit configured to control operation of one or more of the second antenna elements of the second antenna array in a first mode or a second mode. In the first mode, one or more of the second antenna elements are configured to provide a secondary function to support communication of the first antenna elements via the communication

protocol. In a second mode. One or more of the second antenna elements are configured to support beam forming or beam steering of the first antenna elements.

[0006] These and other features, aspects and advantages of various embodiments will become better understood with reference to the following description and appended claims. The accompanying drawings, which are incorporated in and constitute a part of this specification, illustrate embodiments of the present disclosure and, together with the description, serve to explain the related principles.

BRIEF DESCRIPTION OF THE DRAWINGS

[0007] Detailed discussion of embodiments directed to one of ordinary skill in the art are set forth in the specification, which makes reference to the appended figures, in which:

[0008] FIG. 1 depicts a mobile device having an antenna system according to example embodiments of the present disclosure;

[0009] FIG. 2 depicts configuration of antenna array(s) in an antenna system according to example embodiments of the present disclosure;

[0010] FIGS. 3A, 3B and 3C depicts an example beam forming or beam steering according to example embodiments of the present disclosure;

[0011] FIG. 4 depicts an example control circuit for configuring an antenna system according to example embodiments of the present disclosure;

[0012] FIG. 5 depicts a flow diagram of an example method according to example embodiments of the present disclosure.

DETAILED DESCRIPTION

[0013] Reference now will be made in detail to embodiments, one or more examples of which are illustrated in the drawings. Each example is provided by way of explanation of the embodiments, not limitation of the present disclosure. In fact, it will be apparent to those skilled in the art that various modifications and variations can be made to the embodiments without departing from the scope or spirit of the present disclosure. For instance, features illustrated or described as part of one embodiment can be used with another embodiment to yield a still further embodiment. Thus, it is intended that aspects of the present disclosure cover such modifications and variations.

[0014] Example aspects of the present disclosure are directed to systems and methods for beam forming and/or beam steering using an antenna array(s) in communication systems,

such as 5G communication systems. For instance, an antenna system for a device can include a plurality of different antenna arrays. Each antenna array can have a plurality of different antenna elements. The antenna elements can be shared between arrays to either provide a secondary function (e.g., multiple input multiple output (MIMO), diversity), to support main communication via a communication protocol (e.g., 5G communication protocol), or to support beam forming and/or beam steering.

[0015] 5G communication protocols can be implemented, for instance, using antenna arrays that are configured for MIMO communication and/or communication at higher frequency bands (e.g., a frequency band in the range of about 24 GHz to about 86 GHz). Each of these antenna arrays can include a plurality of antenna elements. The antenna elements can be individually and/or collectively controlled to communicate signals (e.g., RF signals) in a MIMO mode (e.g., a 4x4 MIMO mode). This can provide for higher data-rates and lower latency in wireless communications.

[0016] An electronic device (e.g., a mobile device, IoT device, or other electronic device) can include a plurality of different antenna arrays (e.g., two antenna arrays, three antenna arrays, four antenna arrays). One of the antenna arrays (e.g., a main antenna array) can be used for main communications via a communication protocol (e.g., a cellular communication protocol such as 3G, 4G (LTE), 5G protocol). One or more different antenna arrays can be used to provide a secondary function to support communication of the main antenna array. For instance, the antenna array can be used to further enhance MIMO and/or diversity operation of the main antenna array.

[0017] According to example aspects of the present disclosure, selected antenna elements from the plurality of different antenna arrays can be used to support “beam forming” or “beam steering” of the main antenna array. Beam forming refers to the combination of different antenna beams to increase the signal strength in a particular direction (e.g., the direction of a base station) to enhance communication links. “Beam steering” refers to dynamically steering an antenna beam such that the direction of high gain of the antenna beam is pointed in a particular direction (e.g., the direction of a base station).

[0018] For example, one or more antenna elements of the main antenna array can be switched from being used to support MIMO and/or diversity to being used for beam steering or beam forming. In addition, and/or in the alternative, one or more additional antenna elements from different antenna arrays can be switched from being used to support MIMO and/or diversity to being used for beam steering or beam forming. In this way, aspects of the

present disclosure can have a technical effect of allowing different antenna elements among different antenna arrays to be shared for supporting MIMO/diversity and/or for beam steering or beam forming to enhance the usage of available resources within the antenna arrays and to enhance radio performance.

[0019] As used herein, a “mobile device” is an electronic device capable of communicating wirelessly and capable of being carried by hand of a user while in normal operation. Example mobile devices include smartphones, tablets, laptops, wearable devices, personal digital assistants, and portable digital music players. As used herein, the use of the term “about” in conjunction with a numerical value refers to within 10% of the stated numerical value.

[0020] FIG. 1 depicts an example mobile device 100 supporting cellular communication and having beam steering or beam forming capabilities according to example embodiments of the present disclosure. As shown, the mobile device includes a housing 104. The housing 104 can include a plurality of different surfaces (e.g., edge surfaces). For instance, the housing 104 has a first surface 107 and a second surface 109 and other surfaces (not designated). The mobile device 100 can include interface elements (e.g., touch screen, touch pad, key board, camera, microphone) to allow a user to interact with the mobile device 100.

[0021] The housing 104 accommodates three antenna arrays: a first antenna array 110, a second antenna array 120, and a third antenna array 130. Three antenna arrays are illustrated for purposes of illustration and discussion. Those of ordinary skill in the art, using the disclosures provided herein, will understand that more or fewer antenna arrays can be used without deviating from the scope of the present disclosure.

[0022] Each of the first antenna array 110, second antenna array 120, and third antenna array 130 can include a plurality of antenna elements. Each antenna element can be configured to communicate one or more signals via a cellular communication protocol, such as a 5G communication protocol. Each antenna element can be configured to communicate one or more signals in a frequency band in the range of about 24 GHz to about 86 GHz. In some embodiments, each antenna array can include a plurality of antenna elements (e.g., radiating elements) disposed on a substrate (e.g., a circuit board).

[0023] The first antenna array 110 and the second antenna array 120 are illustrated as being proximate to the same surface of the mobile device 100, namely surface 107. The third antenna array 130 is illustrated as being on a different surface (e.g., surface 109) relative to the first antenna array 110 and the second antenna array 120. In this way, the antenna array

can be located proximate the same surface or located proximate different surfaces of the mobile device 100.

[0024] FIG. 2 depicts example configuration of the first antenna array 110 and second antenna array 120 according to example embodiments of the present disclosure. More particularly, in configuration 202, a plurality of first antenna element 112 are configured to support main communication via a communication protocol (e.g., a 5G communication protocol). The plurality of first antenna elements 112 can be communicate via a communication protocol in a MIMO mode. For instance, the plurality of first antenna elements 112 can be configured for operation in a 4x4 MIMO mode.

[0025] In configuration 202, a plurality of second antenna elements 122 associated with a second antenna array 120 are configured to provide a secondary function to support main communication of the first antenna elements 112 in the first antenna array 110. For instance, the plurality of second antenna elements 122 of the second antenna array 120 can provide additional MIMO capability and/or diversity for the first antenna elements 112 in the first antenna array 110.

[0026] In configuration 202, a first subset 126 of the second antenna elements 122 are configured to provide the secondary function to support the first antenna elements 112 of the first antenna array 110. The first subset 126 includes all of the second antenna elements 122 in the second antenna array 120. A second subset (no antenna elements) of the second antenna array 120 are configured to support beam steering or beam forming of the first antenna elements 112 of the first antenna array 110.

[0027] According to example aspects of the present disclosure, a control circuit can adjust the configuration of the first antenna array 110 and the second antenna array 120 from configuration 202 to configuration 204. In configuration 204, a subset 124 of the second antenna elements 122 have been configured to support beam steering or beam forming of the first antenna elements 112 of the first antenna array 110. Subset 126 of second antenna elements 122 remain configured to support the secondary function (e.g., MIMO, diversity) of the first antenna elements 112 of the first antenna array 110.

[0028] The example of FIG. 2 discusses the configuration of antenna elements across two antenna arrays for purposes of illustration and discussion. Those of ordinary skill in the art, using the disclosures provided herein, will understand that the antennal elements can be associated with a single antenna array or more than two antenna arrays without deviating from the scope of the present disclosure. For example, the antenna elements 112 and 122 can

be all part of a single antenna array without deviating from the scope of the present disclosure. As another example, antenna elements across first antenna array 110, second antenna array 120, and third antenna array 130 can be used without deviating from the scope of the present disclosure

[0029] In some embodiments, the mechanism for configuring antenna elements for beam forming or beam steering in this example can be implemented, for instance, by introducing phase shifts in signals communicated to the antenna elements. In some implementations, the phase shifts can be implemented using delay lines that introduce a time delay in signals communicated using the delay line. In some embodiments, the phase shifts can be implemented using a phase shifter.

[0030] FIGS. 3A-3C illustrate examples of three different radiation patterns corresponding to three different phase shifts implemented among antenna elements. In this example, the mobile device is configured to include a first antenna array or one or more first antenna elements of a first antenna array that generates a first radiation pattern having the highest gain in the Y direction, and a second antenna array or one or more second antenna elements of a second antenna array that generates a second radiation pattern having the highest gain in the Z direction. FIG. 3A illustrates a first mode in which the time delay, or the phase shift, is set so that the contribution from the second radiation pattern is almost negligible, resulting in a combined radiation pattern having the highest gain in the Y direction. FIG. 3B illustrates a second mode in which the time delay, or the phase shift, is set so that the first and second radiation patterns coexist in phase, resulting in a combined radiation pattern having the highest gain in the Y+Z direction. FIG. 3C illustrates a third mode in which the time delay, or the phase shift, is set so that the contribution from the first radiation pattern is almost negligible, resulting in a combined radiation pattern having the highest gain in the Z direction.

[0031] FIG. 4 depicts a schematic of an example control circuit 200 configured to configure antenna arrays according to example embodiments of the present disclosure. This example illustrates a case in which a first through Nth protocols, including a 5G communication protocol are supporting with a first antenna 110 having a plurality of antenna elements. The first antenna array 110 can be similar to the first antenna array 110 illustrated in FIGS. 1 and 2. A second antenna array 120 having a plurality of antenna elements can be used to support communications of the first antenna array 110 by either being configured for a secondary function (e.g., MIMO, diversity) or being configured for beam steering or beam

forming. The second antenna array 120 can be similar to the second antenna arrays 120 illustrated in FIGS. 1 and 2.

[0032] Control circuit 200 is operable to configure antenna elements among the first antenna array 110 and the second antenna array 120 between supporting a secondary function and supporting beam forming or beam steering.

[0033] A first through N^{th} transceivers 302 are associated with the first antenna array 110 for processing signals according to the first— N^{th} protocols, including a 5G communication protocol. Other protocols supported by the transceivers 302 can include a 2G protocol, 3G protocol, 4G (LTE) protocol, etc. An $(N+1)^{\text{th}}$ through $(N+M)^{\text{th}}$ transceivers 304 are associated with the second antenna array 120 for performing the originally intended function in conjunction with one or more of the first— N^{th} protocols, including a 5G communication protocol. Other protocols supported by the transceivers 304 can include a 2G protocol, 3G protocol, 4G (LTE) protocol, etc.

[0034] The control circuit 200 can include a first switching component 220 and a second switching component 224. The first switching component 220 and the second switching component 224 can be coupled to each other via a phase shifting component 227. The phase shifting component 227 can be configured to provide multiple phase shifts between signals communicated among antenna elements of the first array 110 and 120 to implement beam steering and/or beam forming functionality.

[0035] For instance, the phase shifting component 227 can include a plurality of transmission lines of differing electrical lengths that can serve as delay lines that can be selectively coupled to one or more antenna elements using the first switching component 220 and the second switching component 224. In addition and/or in the alternative, the phase shifting component 227 can include one or more phase shifters configured to implement phase shifts in signals communicated via the phase shifting component 227.

[0036] The first switching component 220 can include a plurality of first switches (e.g., transistors, or other switching devices) configured to selectively couple individual antenna elements of the first antenna array 110 to the phase shifting component 227. The second switching component 224 can include a plurality of second switches (e.g., transistors or other switching devices) configured to selectively couple individual antenna elements of the second antenna array 120 to the phase shifting component 227. The first switching component 224 can include a path to be open, grounded or shorted to a component or module in the system, as represented by block 236.

[0037] The control circuit 200 can include a module 240 configured to select one or more of the transceivers 302 to be coupled to individual antenna elements of the first antenna array 110 during a time period. The module 240 can be coupled to a power combiner/splitter 242 which can be configured to select between providing signals to the antenna array 110 and/or the first switching component 220. The control circuit 200 can include a module 245 configured to select one or more of the transceivers 304 to be coupled to individual antenna elements of the second antenna array 120 during a time period.

[0038] A controller 244 (e.g., a processor, microprocessor, etc. configured to execute computer readable instructions stored in one or more memory devices) can be coupled to various components of the control circuit 200, such as first switching component 220, second switching component 224, phase shifting component 227, module 240, module 245, and power combiner/splitter 242 to control the selection of paths/phase shifts.

[0039] The control circuit 200 can control the elements to communicate one or more signals via a communication protocol by controlling module 240 to couple a selected transceiver of the transceivers 302 to one or more antenna elements in the first antenna array 110. The communication protocol can be, for instance, a 5G communication protocol. One or more of the antenna elements in the first antenna array 110 can be configured to communicate signal via the communication protocol in a MIMO mode.

[0040] The control circuit 200 can configure one or more of the antenna elements in the second antenna array 120 to be in a first mode or in a second mode. In the first mode, one or more of the second antenna elements are configured to provide a secondary function (e.g., MIMO, diversity) to support communication of the first antenna elements via the communication protocol.

[0041] More particularly, when one or more antenna elements of the second antenna array 120 are used for MIMO or diversity, the controller 244 can control the second switching component 224 and the module 245 to selective couple one or more of the antenna elements of the second antenna array 120 to the appropriate transceiver of the transceivers 304. In addition, the controller 244 can control the first switching component 224 to selectively couple one or more of the antenna elements of the first antenna array 110 to block 236 (e.g., open, grounded, shorted, etc.). The controller 244 can also control components to otherwise decouple one or more antenna elements of the first antenna array 110 from one or more antenna elements of the second antenna array 120.

[0042] When in the second mode, the control circuit 200 can control one or more of the antenna elements of the second antenna array 120 and/or the first antenna array 110 to support beam forming or beam steering of the first antenna elements. For instance, the first switching component 220 and the second switching component 240 can be controlled by controller 244 to connect path(s) to the phase shifting component 227 so as to couple two or more antenna elements among the first antenna array 110 and/or the second antenna array 120. The phase shifting component 227 can be phase shifts between radiation patterns associated with the antenna elements for beam forming or beam steering.

[0043] FIG. 5 depicts a flow diagram of an example method (400) according to example embodiments of the present disclosure. The method (400) can be implemented, for instance, using the antenna system(s) illustrated in FIGS. 1-4. FIG. 5 depicts steps performed in a particular order for purposes of illustration and discussion. Those of ordinary skill in the art, using the disclosures provided herein, will understand that various steps of any of the methods described herein can be adapted, omitted, rearranged, include steps not illustrated, performed simultaneously, and/or modified in various ways without deviating from the scope of the present disclosure.

[0044] At (402), the method can include selecting a communication protocol for communication with an antenna system. The communication protocol can be, for instance, a 5G communication protocol. The 5G communication protocol can require MIMO operation of antennas and/or communication in higher frequency bands, such as a frequency band in the range of about 24 GHz to about 86 GHz.

[0045] At (404), The method can include configuring first antenna elements to communication via the communication protocol. For instance, a plurality of antenna elements across one or more antenna arrays in a mobile device can be coupled to a transceiver to communicate signal via the 5G communication protocol, for instance, in a MIMO mode.

[0046] At (406), the method can include operating one or more second antenna element(s) to provide a secondary function to support communication of one or more signals by the first antenna elements via the communication protocol. The secondary function can include configuring the second antenna elements to support MIMO communication via the communication protocol. The secondary function can include operating the one or more second antenna elements to act as diversity antenna elements. The one or more second antenna elements can be part of the same antenna array as the first antenna elements and/or a different antenna array.

[0047] At (408), the method can include receiving a signal to adjust a mode of operation of the second antenna elements to support beam steering or beam forming. In some embodiments, the signal to adjust the mode of operation can be based on a channel quality indicator (CQI) associated with a communication link between the antenna system and a base station. For instance, the signal to adjust the mode of operation can be implemented to increase a CQI of a communication link. Example CQIs include one or more of include signal-to-noise ratio (SNR), signal to interference-plus-noise ratio (SINR), receive signal strength indicator (RSSI), bit error rate (BER) and other metrics, which are called channel quality indicators (CQI). Other triggers/signals can be used to adjust the mode of operation of the second antenna element(s), such as expiration of a time period, at regular intervals, when communicating with certain base stations, etc.

[0048] At (410), the method can include operating the one or more second antenna elements to support beam steering or beam forming as described in detail above. For instance, signals can be passed through a phase shifter module including one or more delay lines, phase shifters, etc. to implement beam steering and/or beam forming with the second antenna elements.

[0049] At (412), the method can include receiving a signal to adjust a mode of operation of the second antenna elements to support the secondary function. In some embodiments, the signal to adjust the mode of operation can be based on a CQI associated with a communication link between the antenna system and a base station. For instance, the signal to adjust the mode of operation can be implemented to increase a CQI of a communication link. Other triggers/signals can be used to adjust the mode of operation of the second antenna element(s), such as expiration of a time period, at regular intervals, when communicating with certain base stations, etc.

[0050] Upon receipt of the signal at (412), the method can return (406) and operate the one or more second antenna elements in a mode to provide a secondary function to support communication by the first antenna elements via the communication protocol. In this way, communication link quality can be enhanced through dynamic adjustment of second antenna elements between secondary function support (e.g., MIMO, diversity) and beam steering or beam forming support.

[0051] While the present subject matter has been described in detail with respect to specific example embodiments thereof, it will be appreciated that those skilled in the art, upon attaining an understanding of the foregoing may readily produce alterations to,

variations of, and equivalents to such embodiments. Accordingly, the scope of the present disclosure is by way of example rather than by way of limitation, and the subject disclosure does not preclude inclusion of such modifications, variations and/or additions to the present subject matter as would be readily apparent to one of ordinary skill in the art.

WHAT IS CLAIMED IS:

1. An antenna system, comprising:
 - a first antenna array having a plurality of first antenna elements, the first antenna elements operable to communicate one or more signals via a communication protocol in a multiple input multiple output (MIMO) mode;
 - a second antenna array having a plurality of second antenna elements; and
 - a control circuit configured to control operation of one or more of the second antenna elements of the second antenna array in a first mode or in a second mode;wherein in the first mode, one or more of the second antenna elements are configured to provide a secondary function to support communication of the first antenna elements via the communication protocol; and
 - wherein in the second mode, one or more of the second antenna elements are configured to support beam forming or beam steering of the first antenna elements.
2. The antenna system of claim 1, wherein the communication protocol is a 5G communication protocol.
3. The antenna system of claim 1, wherein the secondary function comprises providing one or more additional antenna elements to support multiple input multiple output (MIMO) mode communication via the communication protocol.
4. The antenna system of claim 1, wherein the secondary function comprises providing one or more additional antenna elements to act as diversity antenna elements.
5. The antenna system of claim 1, wherein in the first mode, a first subset of the second antenna elements are configured provide the secondary function to support communication of the first antenna elements via the communication protocol and a second subset of the second antenna elements are configured to support beam forming or beam steering of the first antenna elements.
6. The antenna system of claim 5, wherein in the second mode, a third subset of the second antenna elements are configured to support beam forming or beam steering, wherein the third subset has one or more additional second antenna elements relative to the second subset.
7. The antenna system of claim 1, wherein the first antenna array comprises a 4x4 MIMO antenna array.

8. The antenna system of claim 1, wherein the second antenna array comprises a 4x4 MIMO antenna array.

9. The antenna system of claim 1, wherein the first antenna array and the second antenna array are operable to communicate in a frequency band in a range from about 24 GHz to about 86 GHz.

10. The antenna system of claim 1, further comprising a third antenna array having a plurality of third antenna elements, wherein the control circuit is configured to control operation of one or more of the third antenna elements in the third antenna array in the first mode or the second mode, wherein in the first mode, one or more of the third antenna elements provide a secondary function to support communication of the first antenna elements via the communication protocol, wherein in the second mode, one or more of the third antenna elements to support beam forming or beam steering of the first antenna elements.

11. The antenna system of claim 1, wherein the control circuit comprises:
a first switching component having one or more first switches coupled to the first antenna array;
a second switching component having one or more second switches coupled to the second antenna array; and
a phase shifting component coupled between the first switching component and the second switching component.

12. The antenna system of claim 11, wherein the phase shifting component comprises one or more phase shifters.

13. The antenna system of claim 11, wherein the phase shifting component comprises one or more transmission lines of differing electrical lengths.

14. A mobile device, comprising:
a first antenna array having a plurality of first antenna elements, the first antenna elements operable to communicate one or more signals via a communication protocol in a multiple input multiple output (MIMO) mode;
a second antenna array having a plurality of second antenna elements; and
a control circuit configured to control operation of one or more of the second antenna elements of the second antenna array in a first mode or in a second mode;

wherein in the first mode, one or more of the second antenna elements are configured to provide a secondary function to support communication of the first antenna elements via the communication protocol; and

wherein in the second mode, one or more of the second antenna elements are configured to support beam forming or beam steering of the first antenna elements.

15. The mobile device of claim 14, wherein the first antenna array and the second antenna array are located proximate different surfaces of the mobile device.

16. The mobile device of claim 14, wherein the first antenna array and the second antenna array are located proximate the same surface of the mobile device.

17. A method of configuring an antenna system, comprising:
operating a plurality of first antenna elements to communicate one or more signals via a communication protocol in a multiple input multiple output mode;

operating one or more second antenna elements in a first mode to provide a secondary function to support communication of the first antenna elements via the communication protocol; and

adjusting operation of the one or more second antenna elements from the first mode to a second mode to provide beam forming or beam steering for the plurality of first antenna elements.

18. The method of claim 17, wherein the secondary function comprises operating the one or more second antenna elements to support multiple input multiple output (MIMO) mode communication via the communication protocol.

19. The method of claim 17, wherein the secondary function comprises operating the one or more second antenna elements to act as diversity antenna elements.

20. The method of claim 17, wherein the communication protocol is a 5G communication protocol and the one or more signals are in a frequency band in a range of about 24 GHz to about 86 GHz.

1/5

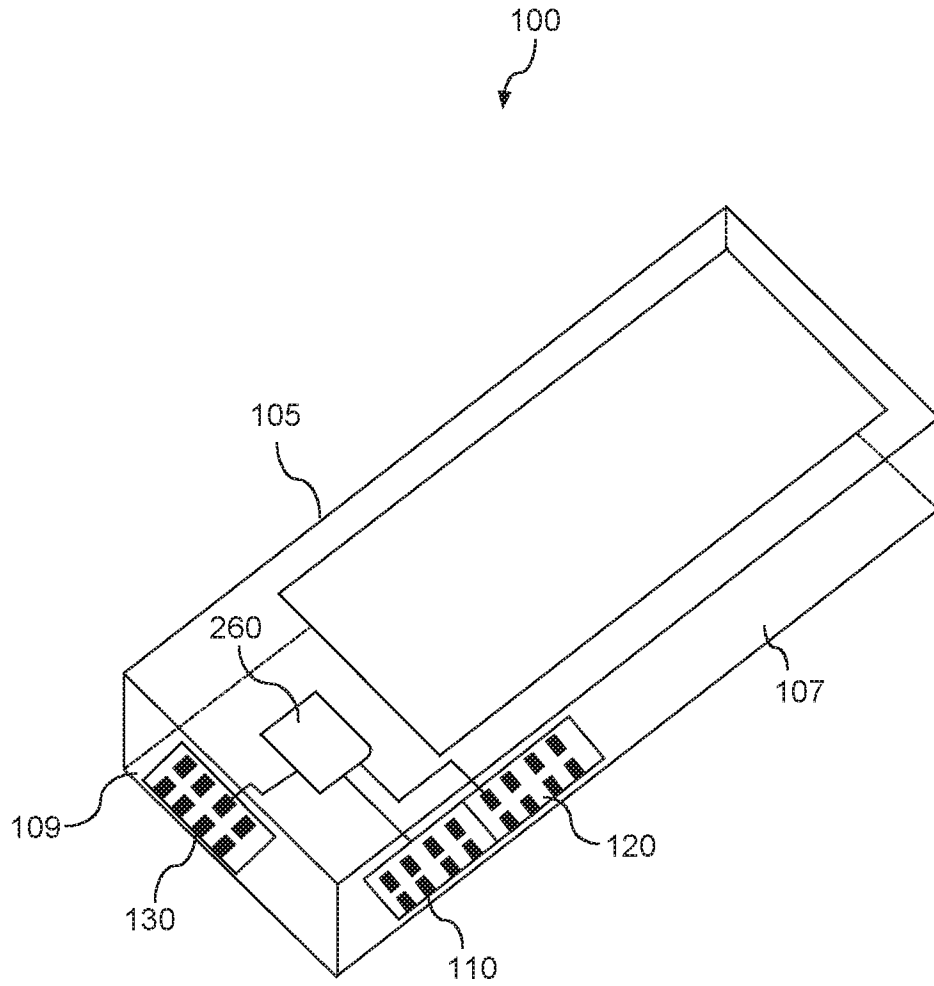


FIG. 1

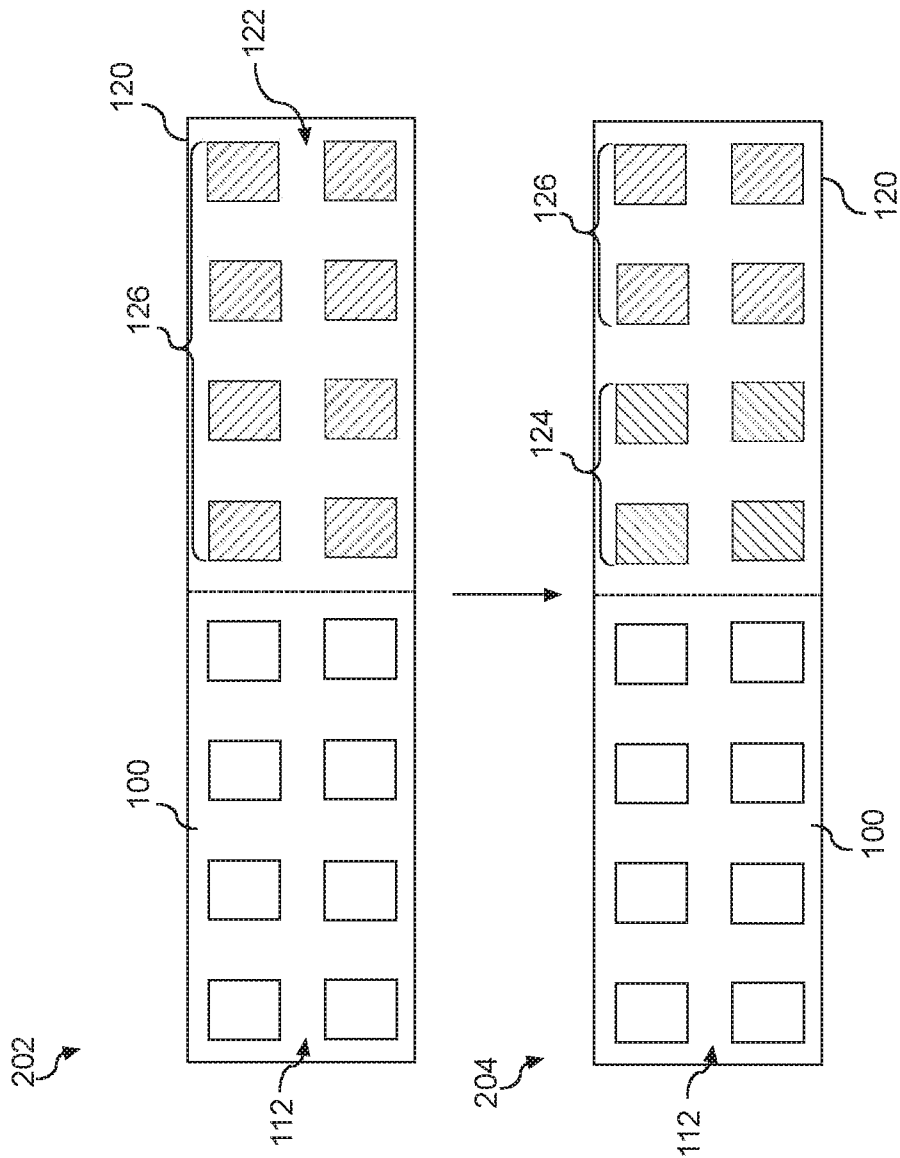


FIG. 2

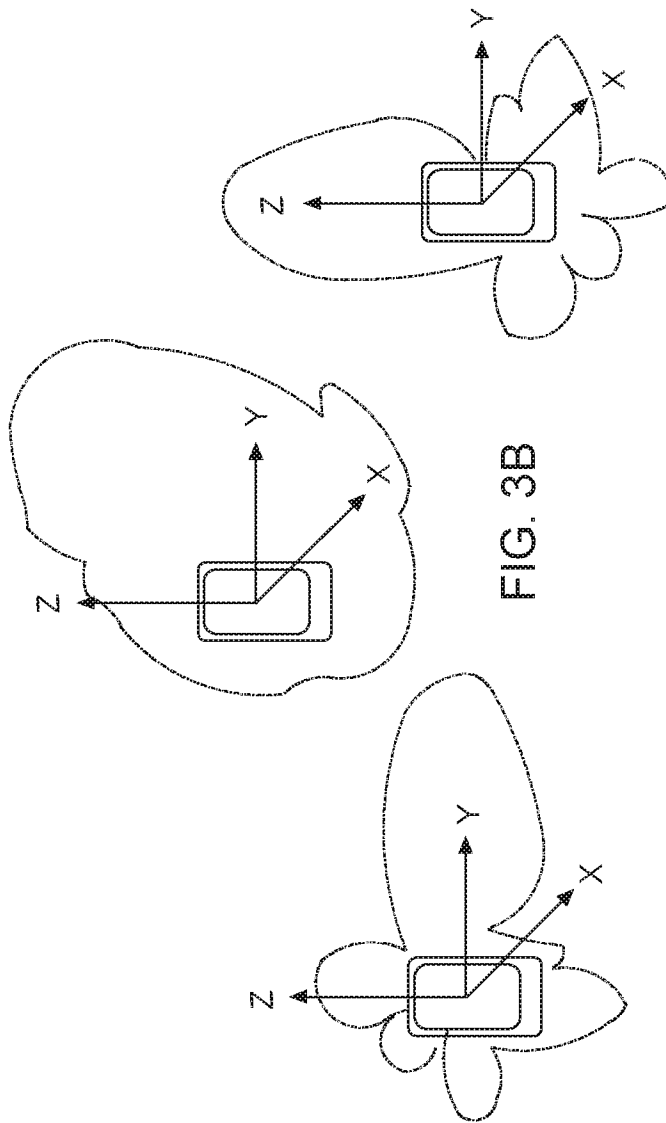


FIG. 3C

FIG. 3B

FIG. 3A

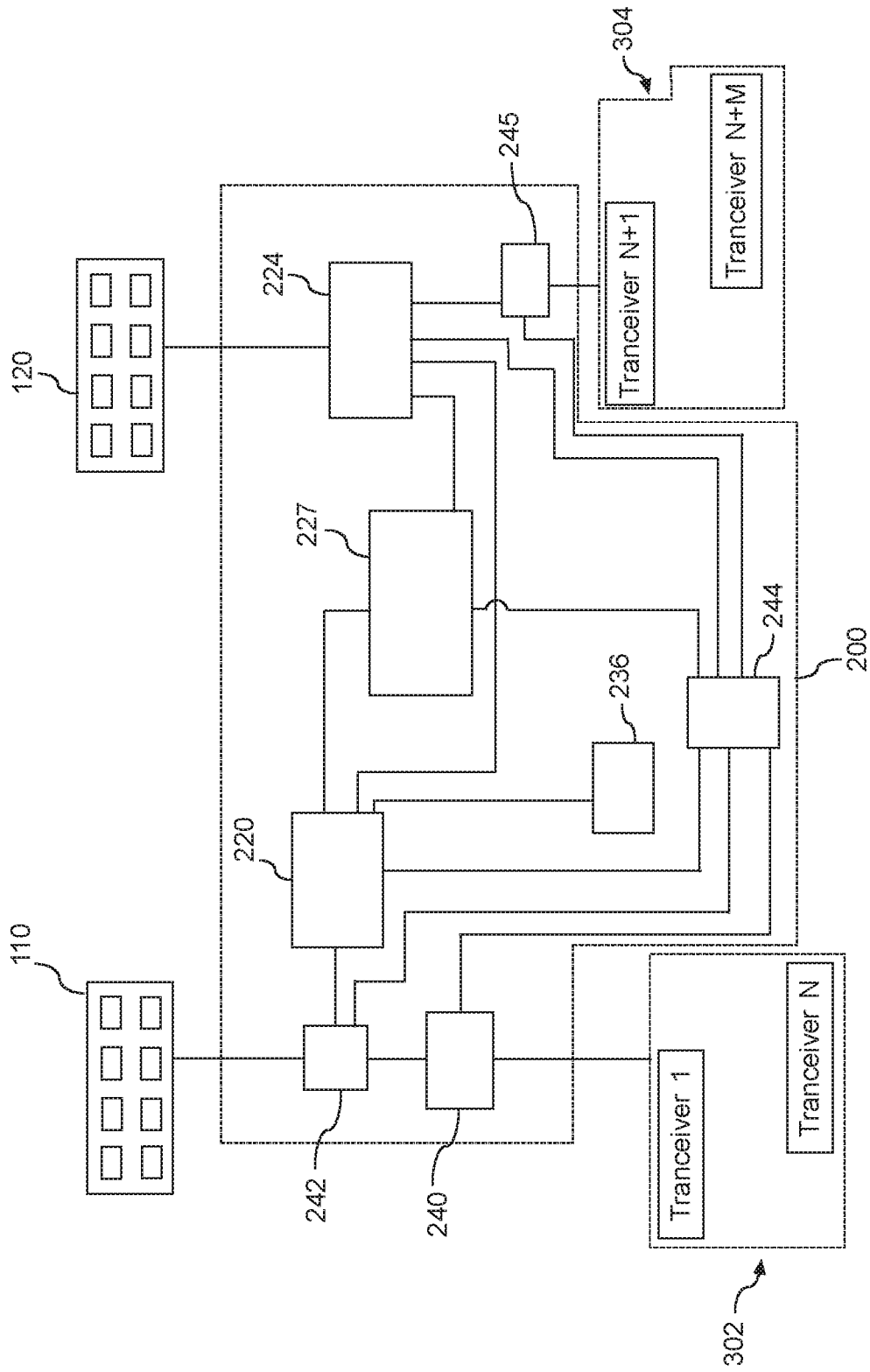


FIG. 4

5/5

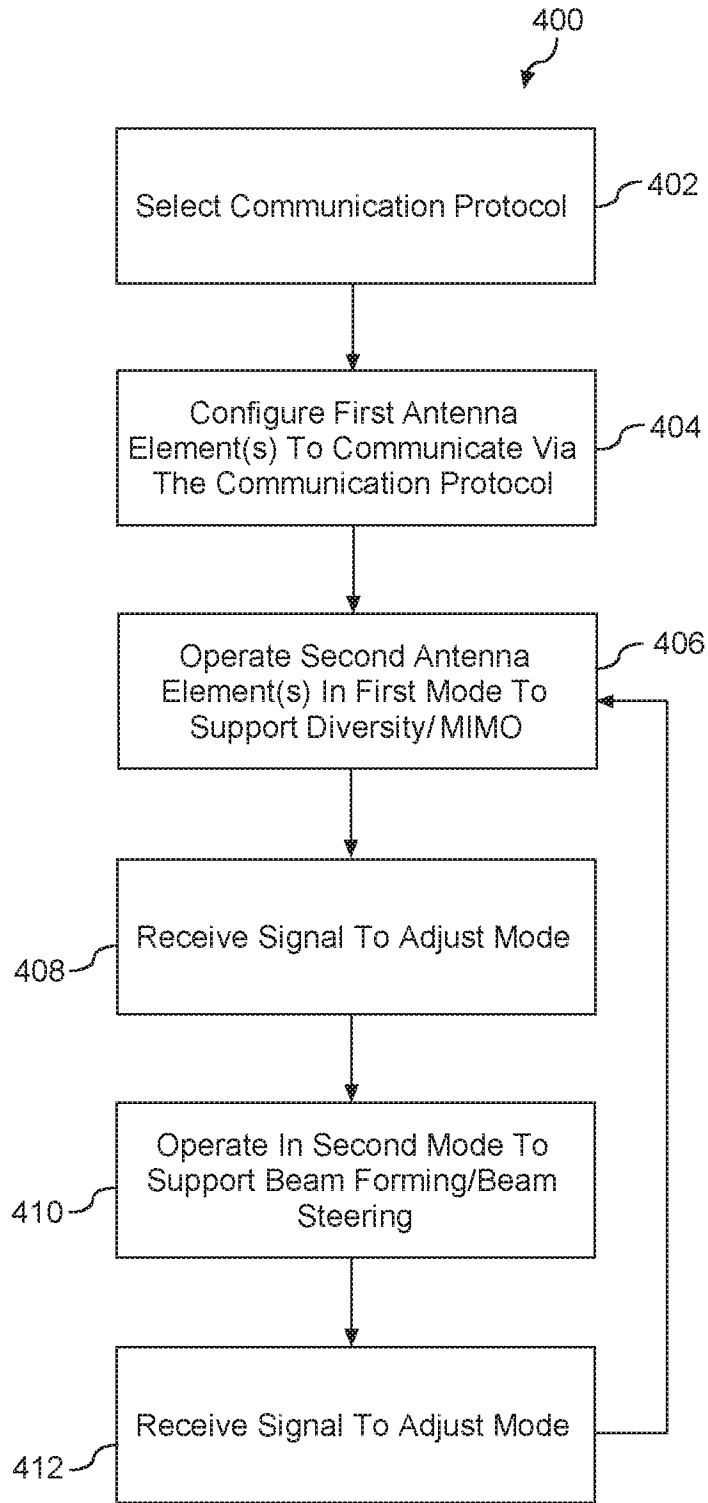


FIG. 5

INTERNATIONAL SEARCH REPORT

International application No.
PCT/US2020/039266**A. CLASSIFICATION OF SUBJECT MATTER****H04B 7/06(2006.01)i, H04B 7/0408(2017.01)i**

According to International Patent Classification (IPC) or to both national classification and IPC

B. FIELDS SEARCHED

Minimum documentation searched (classification system followed by classification symbols)

H04B 7/06; G01S 13/93; G01S 7/02; H01Q 1/24; H01Q 3/28; H04B 7/04; H04L 29/06; H04W 16/28; H04B 7/0408

Documentation searched other than minimum documentation to the extent that such documents are included in the fields searched

Korean utility models and applications for utility models

Japanese utility models and applications for utility models

Electronic data base consulted during the international search (name of data base and, where practicable, search terms used)

eKOMPASS(KIPO internal) & Keywords: antenna array, antenna element, control, MIMO mode, beam forming, beam steering, directivity, diversity

C. DOCUMENTS CONSIDERED TO BE RELEVANT

Category*	Citation of document, with indication, where appropriate, of the relevant passages	Relevant to claim No.
Y	US 2015-0036726 A1 (OLIVIER PAJONA et al.) 05 February 2015 paragraphs [0005], [0014]-[0015], [0018], [0023], [0025]-[0026]; and claims 1-2	1-20
Y	JP 2018-136219 A (SOKEN INC. et al.) 30 August 2018 paragraphs [0021]-[0023], [0027]; and claim 1	1-20
Y	US 2016-0373181 A1 (SEARETE LLC) 22 December 2016 paragraphs [0038], [0049]	2, 9, 20
A	US 2018-0352446 A1 (FUJITSU LIMITED) 06 December 2018 paragraphs [0034]-[0059]; and claim 8	1-20
A	US 2016-0322702 A1 (ASAHI GLASS COMPANY, LIMITED) 03 November 2016 paragraphs [0022]-[0028]	1-20

 Further documents are listed in the continuation of Box C. See patent family annex.

* Special categories of cited documents:

"A" document defining the general state of the art which is not considered to be of particular relevance

"D" document cited by the applicant in the international application

"E" earlier application or patent but published on or after the international filing date

"L" document which may throw doubts on priority claim(s) or which is cited to establish the publication date of another citation or other special reason (as specified)

"O" document referring to an oral disclosure, use, exhibition or other means

"P" document published prior to the international filing date but later than the priority date claimed

"T" later document published after the international filing date or priority date and not in conflict with the application but cited to understand the principle or theory underlying the invention

"X" document of particular relevance; the claimed invention cannot be considered novel or cannot be considered to involve an inventive step when the document is taken alone

"Y" document of particular relevance; the claimed invention cannot be considered to involve an inventive step when the document is combined with one or more other such documents, such combination being obvious to a person skilled in the art

"&" document member of the same patent family

Date of the actual completion of the international search

29 September 2020 (29.09.2020)

Date of mailing of the international search report

29 September 2020 (29.09.2020)

Name and mailing address of the ISA/KR

International Application Division

Korean Intellectual Property Office

189 Cheongsa-ro, Seo-gu, Daejeon, 35208, Republic of Korea

Facsimile No. +82-42-481-8578

Authorized officer

YANG JEONG ROK

Telephone No. +82-42-481-5709



INTERNATIONAL SEARCH REPORT

Information on patent family members

International application No.

PCT/US2020/039266

Patent document cited in search report	Publication date	Patent family member(s)	Publication date
US 2015-0036726 A1	05/02/2015	US 9287941 B2	15/03/2016
JP 2018-136219 A	30/08/2018	JP 6725437 B2	15/07/2020
		US 2019-0377059 A1	12/12/2019
		WO 2018-155439 A1	30/08/2018
US 2016-0373181 A1	22/12/2016	CN 108464030 A	28/08/2018
		EP 3308570 A1	18/04/2018
		EP 3308570 A4	09/01/2019
		KR 10-2019-0087292 A	24/07/2019
		US 10178560 B2	08/01/2019
		US 10595210 B2	17/03/2020
		US 10602373 B2	24/03/2020
		US 2017-0126304 A1	04/05/2017
		US 2017-0127295 A1	04/05/2017
		WO 2016-205396 A1	22/12/2016
US 2018-0352446 A1	06/12/2018	JP 2018-207333 A	27/12/2018
		US 10721633 B2	21/07/2020
US 2016-0322702 A1	03/11/2016	CN 105917524 A	31/08/2016
		CN 105917524 B	22/11/2019
		JP 6468200 B2	13/02/2019
		TW 201533982 A	01/09/2015
		US 10312589 B2	04/06/2019
		WO 2015-108133 A1	23/07/2015